

# **EXHIBIT 1 TO COMPLAINT**

# Certificate of Registration



This Certificate issued under the seal of the Copyright Office in accordance with title 17, *United States Code*, attests that registration has been made for the work identified below. The information on this certificate has been made a part of the Copyright Office records.

*Shirley P. Muttler*

United States Register of Copyrights and Director

**Registration Number**

**PAu 4-160-494**

**Effective Date of Registration:**

November 11, 2022

**Registration Decision Date:**

December 21, 2022

## Title

**Title of Work:** TTR-Video-3

## Completion/Publication

**Year of Completion:** 2013

## Author

- Author:** TR Tools, LLC
- Author Created:** entire motion picture
- Work made for hire:** Yes
- Citizen of:** United States

## Copyright Claimant

**Copyright Claimant:** TR Tools, LLC  
608 15th Street SE, Orange City, IA, 51041, United States

## Limitation of copyright claim

**Material excluded from this claim:** preexisting music

**New material included in claim:** all other cinematographic material

## Rights and Permissions

**Organization Name:** TR Tools, LLC  
**Address:** 608 15th Street SE  
Orange City, IA 51041 United States

## Certification

**Name:** Jessica Delos Santos

# Certificate of Registration



This Certificate issued under the seal of the Copyright Office in accordance with title 17, *United States Code*, attests that registration has been made for the work identified below. The information on this certificate has been made a part of the Copyright Office records.

*Shirley P. Muttler*

United States Register of Copyrights and Director

**Registration Number**

**VA 2-327-778**

**Effective Date of Registration:**

November 11, 2022

**Registration Decision Date:**

November 16, 2022

## Title

**Title of Work:** TTR-033

## Completion/Publication

**Year of Completion:** 2017  
**Date of 1st Publication:** May 30, 2017  
**Nation of 1st Publication:** United States

## Author

- Author:** TR Tools, LLC  
**Author Created:** photograph  
**Work made for hire:** Yes  
**Citizen of:** United States

## Copyright Claimant

**Copyright Claimant:** TR Tools, LLC  
608 15th Street SE, Orange City, IA, 51041, United States

## Rights and Permissions

**Organization Name:** TR Tools, LLC  
**Address:** 608 15th Street SE  
Orange City, IA 51041 United States

## Certification

**Name:** Jessica Delos Santos  
**Date:** November 11, 2022

---

**Copyright Office notes:** Regarding basis for registration: Registration does not extend to any useful article depicted. Registration extends to deposited photograph only. 17 USC 101, 102(a), and 113.

# Certificate of Registration



This Certificate issued under the seal of the Copyright Office in accordance with title 17, *United States Code*, attests that registration has been made for the work identified below. The information on this certificate has been made a part of the Copyright Office records.

*Shira Perlmutter*

United States Register of Copyrights and Director

Registration Number

**VA 2-328-515**

Effective Date of Registration:

November 11, 2022

Registration Decision Date:

November 22, 2022



## Copyright Registration for a Group of Published Photographs

Registration issued pursuant to 37 C.F.R. § 202.4(i)

For Photographs Published: February 14, 2019 to February 26, 2019

### Title

---

**Title of Group:** Tite Reach Product Pictures 2019  
**Number of Photographs in Group:** 24

- **Individual Photographs:** TTR-01,  
TTR-02,  
TTR-03,  
TTR-04,  
TTR-05,  
TTR-06,  
TTR-07,  
TTR-08,  
TTR-09,  
TTR-010,  
TTR-011,  
TTR-012,  
TTR-013,  
TTR-014,  
TTR-015,  
TTR-016,  
TTR-017,  
TTR-018,  
TTR-019,  
TTR-020,  
TTR-021,  
TTR-022,  
TTR-023,  
TTR-024

**Published:** February 2019

### Completion/Publication

---

**Year of Completion:** 2019  
**Earliest Publication Date in Group:** February 14, 2019  
**Latest Publication Date in Group:** February 26, 2019  
**Nation of First Publication:** United States

## Author

---

- **Author:** TR Tools, LLC  
**Author Created:** photographs  
**Work made for hire:** Yes  
**Citizen of:** United States

## Copyright Claimant

---

**Copyright Claimant:** TR Tools, LLC  
608 15th Street SE, Orange City, IA, 51041, United States

## Rights and Permissions

---

**Organization Name:** TR Tools, LLC  
**Address:** 608 15th Street SE  
Orange City, IA 51041 United States

## Certification

---

**Name:** Jessica Delos Santos  
**Date:** November 11, 2022

---

**Copyright Office notes:** Regarding title information: Deposit contains complete list of titles that correspond to the individual photographs included in this group.

Regarding group registration: A group of published photographs may be registered on one application with one filing fee only under limited circumstances. ALL of the following are required: 1. All photographs (a) were created by the same author AND (b) are owned by the same copyright claimant AND (c) were published in the same calendar year AND 2. The group contains 750 photographs or less AND 3. A sequentially numbered list of photographs containing the title, file name and month of publication for each photograph included in the group must be uploaded along with other required application materials. The list must be submitted in an approved document format such as .XLS or .PDF. The file name for the numbered list must contain the title of the group and the Case Number assigned to the application.

# Certificate of Registration



This Certificate issued under the seal of the Copyright Office in accordance with title 17, *United States Code*, attests that registration has been made for the work identified below. The information on this certificate has been made a part of the Copyright Office records.

*Shirya Perlmutter*

United States Register of Copyrights and Director

**Registration Number**

**VA 2-329-848**

**Effective Date of Registration:**

November 17, 2022

**Registration Decision Date:**

December 05, 2022

## Title

**Title of Work:** TTR-028

## Completion/Publication

**Year of Completion:** 2019  
**Date of 1st Publication:** February 22, 2019  
**Nation of 1st Publication:** United States

## Author

**Author:** TR Tools, LLC  
**Author Created:** technical drawing  
**Work made for hire:** Yes  
**Citizen of:** United States

## Copyright Claimant

**Copyright Claimant:** TR Tools, LLC  
608 15th Street SE, Orange City, IA, 51041, United States

## Rights and Permissions

**Organization Name:** TR Tools, LLC  
**Address:** 608 15th Street SE  
Orange City, IA 51041 United States

## Certification

**Name:** Jessica Delos Santos  
**Date:** November 17, 2022



US00D607289S

(12) **United States Design Patent**  
**Lambert**

(10) **Patent No.:** **US D607,289 S**  
(45) **Date of Patent:** **\*\* Jan. 5, 2010**

- (54) **SLIM PROFILE WRENCH**
- (75) Inventor: **J. Ewing Lambert**, Indianola, IA (US)
- (73) Assignee: **TR Tools, L.L.C.**, Orange City, IA (US)
- (\*\*) Term: **14 Years**
- (21) Appl. No.: **29/339,570**
- (22) Filed: **Jul. 2, 2009**
- (51) **LOC (9) CL.** ..... **08-05**
- (52) **U.S. Cl.** ..... **D8/28**
- (58) **Field of Classification Search** ..... D8/21-29;  
81/60-63.2, 176.119, 120, 121.1, 124.3,  
81/177.75, 177.7, 177.85, 186, 176.1, 176.15,  
81/176.2; 206/373, 378; 16/429; 7/100,  
7/138, 168

See application file for complete search history.

(56) **References Cited**

**U.S. PATENT DOCUMENTS**

- 562,689 A 6/1896 Willows
- 730,509 A 6/1903 Baker
- 835,034 A \* 11/1906 Riddle ..... 81/61
- 1,310,641 A 7/1919 Welch
- 1,350,315 A 8/1920 Katzmarek
- 1,635,102 A 7/1927 Watson
- 1,747,527 A 2/1930 Peterson
- 2,322,856 A 6/1943 LeRoue
- 2,421,038 A \* 5/1947 Schultz ..... 81/61
- 2,466,456 A 4/1949 Lybyer
- 2,669,147 A 2/1954 Koenig
- 2,830,479 A 4/1958 Finn
- 3,138,983 A 6/1964 Frizzell
- 3,270,597 A 9/1966 Neff et al.
- 3,283,621 A 11/1966 Faso
- D214,018 S \* 5/1969 Traughber ..... D8/25
- D225,606 S \* 12/1972 Teichmeier ..... D8/25
- 3,714,852 A 2/1973 Giangrasso
- 3,838,614 A 10/1974 Odonnell
- 3,987,691 A 10/1976 Savage
- 4,063,475 A 12/1977 Perkins
- 4,231,271 A \* 11/1980 Yamada ..... 81/57.3
- 4,366,731 A 1/1983 Vallevand

- 4,406,186 A 9/1983 Gummow
- 4,488,461 A 12/1984 Hurtig
- 4,491,042 A 1/1985 Lopochonsky
- 4,534,245 A 8/1985 Rossmann
- 4,593,585 A 6/1986 Hurtig
- 4,748,875 A 6/1988 Lang
- 4,817,475 A 4/1989 Kelly et al.
- 4,819,521 A 4/1989 Lang
- 4,838,131 A 6/1989 Rhoades
- 4,867,016 A 9/1989 DiEdwardo
- 5,144,869 A \* 9/1992 Chow ..... 81/63
- D332,730 S \* 1/1993 Usuda ..... D8/25
- 5,199,332 A 4/1993 Batten
- 5,355,751 A 10/1994 Specht
- 5,477,758 A 12/1995 Cunningham

(Continued)

**FOREIGN PATENT DOCUMENTS**

- GB 2 056 348 3/1981

*Primary Examiner*—Philip S Hyder  
*Assistant Examiner*—Randall H Gholson  
 (74) *Attorney, Agent, or Firm*—McKee, Voorhees & Sease, P.L.C.

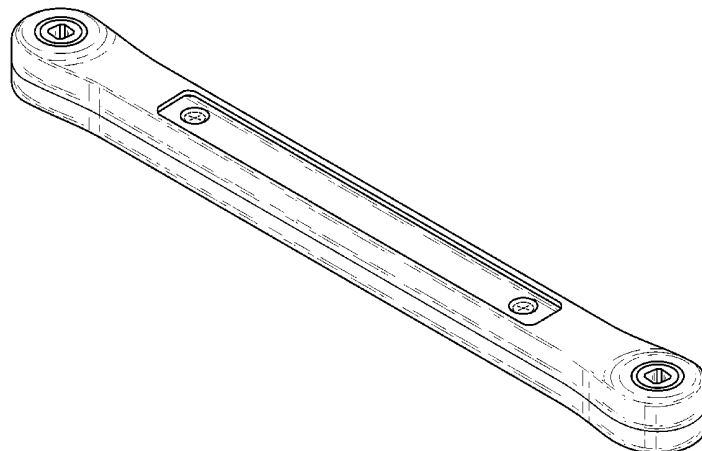
(57) **CLAIM**

The ornamental design for a slim profile wrench, as shown and described.

**DESCRIPTION**

- FIG. 1 is a perspective view of the slim profile wrench of the present invention.
- FIG. 2 is a top plan view of the wrench.
- FIG. 3 is a bottom plan view of the wrench.
- FIG. 4 is a side elevation view of the wrench, with the opposite side being identical; and,
- FIG. 5 is an end elevation view of the wrench, with the opposite end view being identical.

**1 Claim, 3 Drawing Sheets**





# US D607,289 S

Page 2

---

## U.S. PATENT DOCUMENTS

5,540,122	A *	7/1996	Lund .....	81/57.3	6,752,048	B1	6/2004	Chiang	
5,709,137	A	1/1998	Blacklock		6,832,531	B1 *	12/2004	Marquardt .....	81/57.3
5,732,605	A	3/1998	Mann		6,877,404	B2	4/2005	Chen	
5,996,448	A	12/1999	Suekage		6,928,904	B2	8/2005	Hsien	
6,032,555	A	3/2000	Whitley		6,993,998	B1	2/2006	Kao et al.	
6,053,076	A	4/2000	Barnes		7,055,409	B2	6/2006	Hsien	
6,151,996	A	11/2000	Whiteford		7,093,519	B1	8/2006	Huang	
6,234,049	B1	5/2001	Ju et al.		7,137,319	B2	11/2006	Hough	
6,257,102	B1	7/2001	Perry		7,197,965	B1	4/2007	Anderson	
6,286,396	B1	9/2001	Johnson		2002/0069728	A1	6/2002	Kady et al.	
6,311,583	B1	11/2001	Izumisawa		2005/0120836	A1	6/2005	Anderson	
6,588,304	B2	7/2003	Kady et al.		2006/0266167	A1	11/2006	Cole	
D486,366	S	2/2004	Tuanmu		2007/0074607	A1	4/2007	Balls	

\* cited by examiner

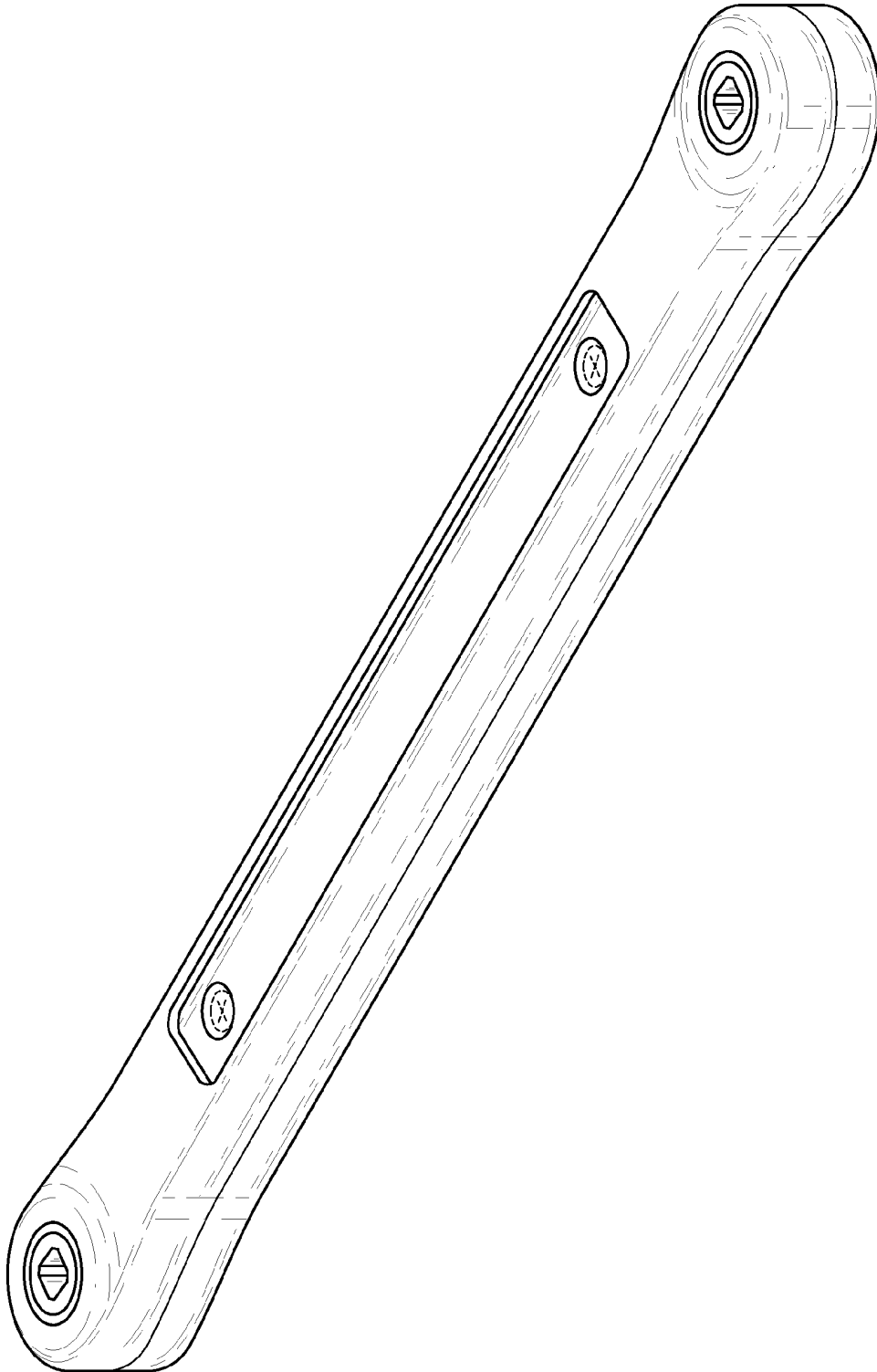
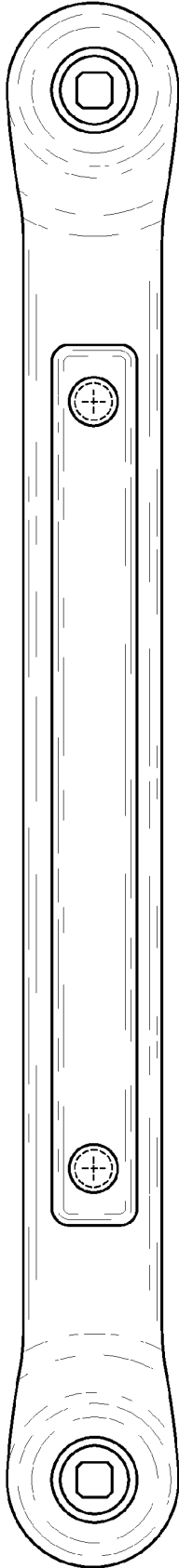
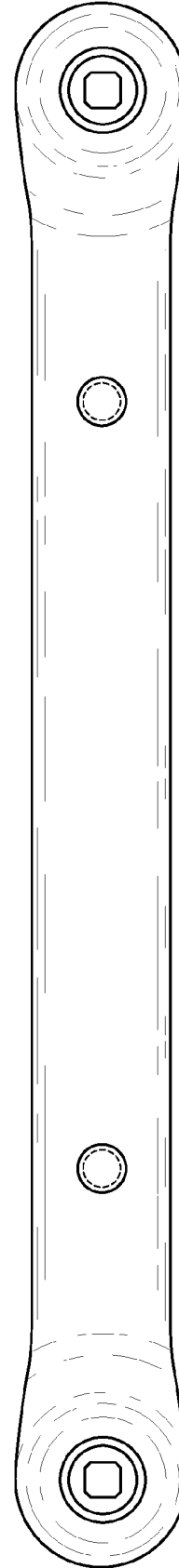


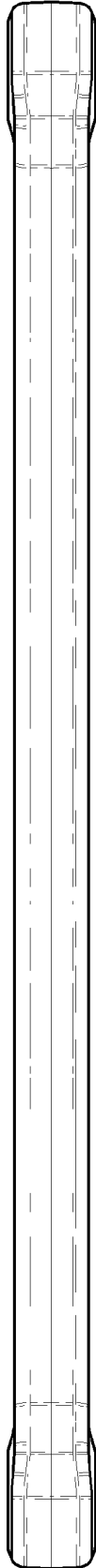
FIG. 1



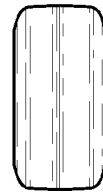
**FIG. 2**



**FIG. 3**



**FIG. 4**



**FIG. 5**

# United States of America

United States Patent and Trademark Office

## **Tite-Reach**

◆ EXTENSION WRENCH ◆

**Reg. No. 5,506,965**

**Registered Jul. 03, 2018**

**Int. Cl.: 8**

**Trademark**

**Principal Register**

TR Tools (IOWA LIMITED PARTNERSHIP), AKA Tite-Reach  
317 7th St Nw  
Orange City, IOWA 51041

CLASS 8: Extensions for hand tools

FIRST USE 10-31-2009; IN COMMERCE 10-31-2009

The mark consists of the stylized wording "TITE-REACH" with a diamond in the letter "R", over a design featuring a wrench that contains the wording "EXTENSION WRENCH." The wrench contains a diamond in the holes on its left and right sides.

No claim is made to the exclusive right to use the following apart from the mark as shown: "TIGHT-REACH" AND "EXTENSION WRENCH"

SER. NO. 87-679,833, FILED 11-10-2017



*Andrei Iancu*

Director of the United States  
Patent and Trademark Office

**REQUIREMENTS TO MAINTAIN YOUR FEDERAL TRADEMARK REGISTRATION**

**WARNING: YOUR REGISTRATION WILL BE CANCELLED IF YOU DO NOT FILE THE DOCUMENTS BELOW DURING THE SPECIFIED TIME PERIODS.**

**Requirements in the First Ten Years\***

**What and When to File:**

- **First Filing Deadline:** You must file a Declaration of Use (or Excusable Nonuse) between the 5th and 6th years after the registration date. See 15 U.S.C. §§1058, 1141k. If the declaration is accepted, the registration will continue in force for the remainder of the ten-year period, calculated from the registration date, unless cancelled by an order of the Commissioner for Trademarks or a federal court.
- **Second Filing Deadline:** You must file a Declaration of Use (or Excusable Nonuse) and an Application for Renewal between the 9th and 10th years after the registration date.\* See 15 U.S.C. §1059.

**Requirements in Successive Ten-Year Periods\***

**What and When to File:**

- You must file a Declaration of Use (or Excusable Nonuse) and an Application for Renewal between every 9th and 10th-year period, calculated from the registration date.\*

**Grace Period Filings\***

The above documents will be accepted as timely if filed within six months after the deadlines listed above with the payment of an additional fee.

**\*ATTENTION MADRID PROTOCOL REGISTRANTS:** The holder of an international registration with an extension of protection to the United States under the Madrid Protocol must timely file the Declarations of Use (or Excusable Nonuse) referenced above directly with the United States Patent and Trademark Office (USPTO). The time periods for filing are based on the U.S. registration date (not the international registration date). The deadlines and grace periods for the Declarations of Use (or Excusable Nonuse) are identical to those for nationally issued registrations. See 15 U.S.C. §§1058, 1141k. However, owners of international registrations do not file renewal applications at the USPTO. Instead, the holder must file a renewal of the underlying international registration at the International Bureau of the World Intellectual Property Organization, under Article 7 of the Madrid Protocol, before the expiration of each ten-year term of protection, calculated from the date of the international registration. See 15 U.S.C. §1141j. For more information and renewal forms for the international registration, see <http://www.wipo.int/madrid/en/>.

**NOTE: Fees and requirements for maintaining registrations are subject to change. Please check the USPTO website for further information. With the exception of renewal applications for registered extensions of protection, you can file the registration maintenance documents referenced above online at <http://www.uspto.gov>.**

**NOTE: A courtesy e-mail reminder of USPTO maintenance filing deadlines will be sent to trademark owners/holders who authorize e-mail communication and maintain a current e-mail address with the USPTO. To ensure that e-mail is authorized and your address is current, please use the Trademark Electronic Application System (TEAS) Correspondence Address and Change of Owner Address Forms available at <http://www.uspto.gov>.**