

United States of America

United States Patent and Trademark Office

SAUCEMOTO

Reg. No. 5,567,259

Registered Sep. 18, 2018

Int. Cl.: 12

Trademark

Principal Register

Milkmen design, LLC (OHIO LIMITED LIABILITY COMPANY)
501 Vinita Ave
Akron, OHIO 44320

CLASS 12: Non-metal brackets for hanging single-use sauce containers from automobile interiors

FIRST USE 8-13-2018; IN COMMERCE 8-13-2018

THE MARK CONSISTS OF STANDARD CHARACTERS WITHOUT CLAIM TO ANY PARTICULAR FONT STYLE, SIZE OR COLOR

SER. NO. 87-729,830, FILED 12-21-2017



Andrei Iancu

Director of the United States
Patent and Trademark Office

REQUIREMENTS TO MAINTAIN YOUR FEDERAL TRADEMARK REGISTRATION

WARNING: YOUR REGISTRATION WILL BE CANCELLED IF YOU DO NOT FILE THE DOCUMENTS BELOW DURING THE SPECIFIED TIME PERIODS.

Requirements in the First Ten Years*

What and When to File:

- **First Filing Deadline:** You must file a Declaration of Use (or Excusable Nonuse) between the 5th and 6th years after the registration date. See 15 U.S.C. §§1058, 1141k. If the declaration is accepted, the registration will continue in force for the remainder of the ten-year period, calculated from the registration date, unless cancelled by an order of the Commissioner for Trademarks or a federal court.
- **Second Filing Deadline:** You must file a Declaration of Use (or Excusable Nonuse) and an Application for Renewal between the 9th and 10th years after the registration date.* See 15 U.S.C. §1059.

Requirements in Successive Ten-Year Periods*

What and When to File:

- You must file a Declaration of Use (or Excusable Nonuse) and an Application for Renewal between every 9th and 10th-year period, calculated from the registration date.*

Grace Period Filings*

The above documents will be accepted as timely if filed within six months after the deadlines listed above with the payment of an additional fee.

***ATTENTION MADRID PROTOCOL REGISTRANTS:** The holder of an international registration with an extension of protection to the United States under the Madrid Protocol must timely file the Declarations of Use (or Excusable Nonuse) referenced above directly with the United States Patent and Trademark Office (USPTO). The time periods for filing are based on the U.S. registration date (not the international registration date). The deadlines and grace periods for the Declarations of Use (or Excusable Nonuse) are identical to those for nationally issued registrations. See 15 U.S.C. §§1058, 1141k. However, owners of international registrations do not file renewal applications at the USPTO. Instead, the holder must file a renewal of the underlying international registration at the International Bureau of the World Intellectual Property Organization, under Article 7 of the Madrid Protocol, before the expiration of each ten-year term of protection, calculated from the date of the international registration. See 15 U.S.C. §1141j. For more information and renewal forms for the international registration, see <http://www.wipo.int/madrid/en/>.

NOTE: Fees and requirements for maintaining registrations are subject to change. Please check the USPTO website for further information. With the exception of renewal applications for registered extensions of protection, you can file the registration maintenance documents referenced above online at <http://www.uspto.gov>.

NOTE: A courtesy e-mail reminder of USPTO maintenance filing deadlines will be sent to trademark owners/holders who authorize e-mail communication and maintain a current e-mail address with the USPTO. To ensure that e-mail is authorized and your address is current, please use the Trademark Electronic Application System (TEAS) Correspondence Address and Change of Owner Address Forms available at <http://www.uspto.gov>.



US00D899196S

(12) **United States Design Patent**
Moujaes et al.

(10) **Patent No.:** **US D899,196 S**
(45) **Date of Patent:** **** Oct. 20, 2020**

- (54) **CONDIMENT HOLDER**
- (71) Applicant: **MILKMEN DESIGN, LLC**, Akron, OH (US)
- (72) Inventors: **William Moujaes**, Akron, OH (US);
Tony Lahood, Hinckley, OH (US);
Michael Koury, Medina, OH (US)
- (73) Assignee: **Milkmen Design, LLC**, Akron, OH (US)
- (**) Term: **15 Years**
- (21) Appl. No.: **29/683,229**
- (22) Filed: **Mar. 12, 2019**
- (51) **LOC (12) Cl.** **07-06**
- (52) **U.S. Cl.**
USPC **D7/601; D7/620**
- (58) **Field of Classification Search**
USPC D7/620, 601; D12/419, 420
CPC B60N 3/103; B60N 3/107; B60N 3/108;
B60N 3/10; B60N 3/18; B60R 7/06;
B60R 7/08; B60R 7/00; B60R 2011/0059;
B60R 2011/0008; B60R 11/00; A47G
23/00
See application file for complete search history.

9,199,584 B2 12/2015 Mango
 9,296,324 B2 3/2016 Mango
 2010/0003375 A1 1/2010 Schecter
 2012/0138648 A1 6/2012 Moceo, II
 2013/0119103 A1* 5/2013 Mango B60R 11/00
 224/483

(Continued)

OTHER PUBLICATIONS

XxNiceThingsxX, Etsy.com, SauceBoss Dip Holder for Car | DipClip | McDonalds Dip Holder | Dip Clip UK | Sauce Boss | Hot Item!—UK Seller, https://www.etsy.com/listing/560494888/sauceboss-dip-holder-for-car-dipclip?ga_order=most_relevant&ga_search_type=all&ga_view_type=gallery&ga_search_query=dipclip&ref=sr_gallery_1, publication was accessible on Nov. 28, 2017, 4 pages.

(Continued)

Primary Examiner — Terry A Wallace
 (74) *Attorney, Agent, or Firm* — Sand, Sebolt & Wernow Co., LPA

(57) **CLAIM**

The ornamental design for a condiment holder, as shown and described.

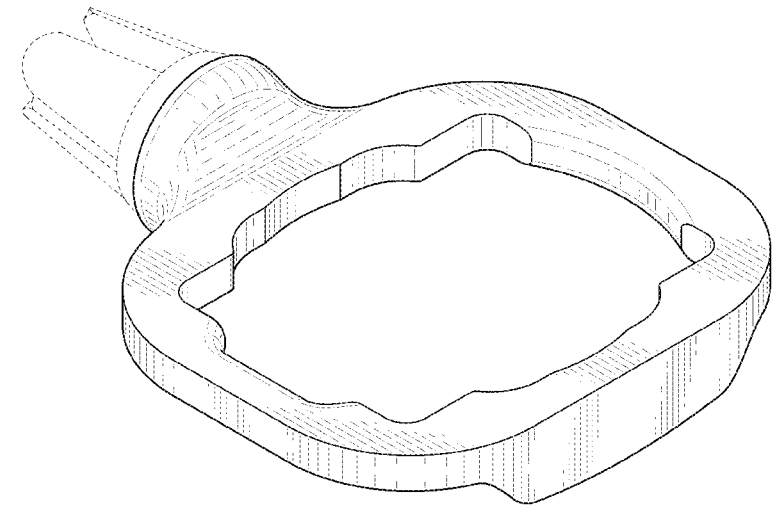
DESCRIPTION

FIG. 1 is a front, top, left side, isometric perspective view of a condiment holder in accordance with our design;
 FIG. 2 is a rear, top, left side, isometric perspective view thereof;
 FIG. 3 is a front elevation view thereof;
 FIG. 4 is a rear elevation view thereof;
 FIG. 5 is a right side elevation view thereof;
 FIG. 6 is a left side elevation view thereof;
 FIG. 7 is a top plan view thereof; and,
 FIG. 8 is a bottom plan view thereof.
 The broken lines illustrate portions of the condiment holder which form no part of the claimed design.

1 Claim, 5 Drawing Sheets

(56) **References Cited**
U.S. PATENT DOCUMENTS

3,866,873	A *	2/1975	Bohli	F16B 11/006 248/544
5,667,119	A *	9/1997	Florence	B60N 3/004 224/281
5,979,724	A	11/1999	Loewenthal, Jr. et al.		
6,189,489	B1	2/2001	Pearce		
6,193,201	B1	2/2001	Babcock		
6,196,434	B1	3/2001	Angran et al.		
D447,012	S *	8/2001	Owens	D7/620
6,364,112	B1	4/2002	Pitschka		
6,682,034	B1 *	1/2004	Vial	A47G 19/04 248/231.81
8,109,235	B2	2/2012	Lipscomb et al.		



(56)

References Cited

U.S. PATENT DOCUMENTS

2013/0200124	A1*	8/2013	Burwinkel	B60N 3/103 224/545
2014/0021233	A1	1/2014	Strole	
2014/0103087	A1	4/2014	Fan	
2014/0138418	A1	5/2014	Dunn	
2014/0138419	A1	5/2014	Minn et al.	
2014/0183238	A1	7/2014	Lin	
2014/0326768	A1	11/2014	Mango	
2015/0217697	A1*	8/2015	Peters	B60R 7/06 224/483
2015/0366388	A1	12/2015	Goldstein	

OTHER PUBLICATIONS

ImproperEngineering, Etsy.com, Sauce Buddy Dip Clip Adjustable The Original || Car Vent Holder Car Vent Sauce Holder Car Vent Clip Air Vent Sauce Holder DipClip, https://www.etsy.com/listing/573887405/sauce-buddy-dip-clip-the-original-sauce?ga_order=most_relevant&ga_search_type=all&ga_view_type=gallery&ga_search_query=dipclip&ref=sr_gallery_2, publication was accessible on Nov. 28, 2017, 4 pages.
PrintinTime3D, Etsy.com, Little Dipper || Dip Clip || Sauce Holder || Car Accessories || Dipclip || Car Vent Holder, https://www.etsy.com/listing/575082339/little-dipper-dip-clip-sauce-holder-car?ga_order=most_relevant&ga_search_type=all&ga_view_type=gallery&ga_search_query=dipclip&ref=sr_gallery_3, publication was accessible Nov. 28, 2017, 3 pages.

Thingiverse, Car DipClip by darookee, <https://www.thingiverse.com/thing:2662748>, publication was accessible Nov. 28, 2017, 3 pages.
Thingiverse, Car DipClip, Sauce holder for a car, Clips into air vent Vo.02 by JuXas, <https://www.thingiverse.com/thing:2660990>, publication was accessible Nov. 28, 2017, 3 pages.
12 WBOY.com, 'Fast Food Buddy' Invention Makes Eating On-the-Go Easier for Consumers, <http://www.wvalways.com/story/26388108/fast-food-buddy-invention-makes-eating-on-the-go-easier-for-consumers>, Posted Aug. 27, 2014, 2 pages.
FFB, Amazon.com, Bright Red Fast Food Buddy Dipping Sauce and Cup Holder, <https://www.amazon.com/Bright-Buddy-Dipping-Sauce-Holder/dp/B01C9RP14E>, May 5, 2016, 4 pages.
Prepworks Dip Clip Set (Set of 4), Assorted Colors, https://www.walmart.com/ip/Prepworks-Dip-Clip-Set-Set-of-4-Assorted-Colors/28491881?wmlspartner=wlp&selectedSellerId=0&adid=2222222227019047513&w10=&w11=g&w12=c&w13=52360689975&w14=pla-79465779735&w15=9015314&w16=&w17=&w18=&w19=pla_with_promotion&w110=8175035&w111=online&w112=28491881&w113=&veh=sem, publication was accessible Nov. 28, 2017, 4 pages.

* cited by examiner

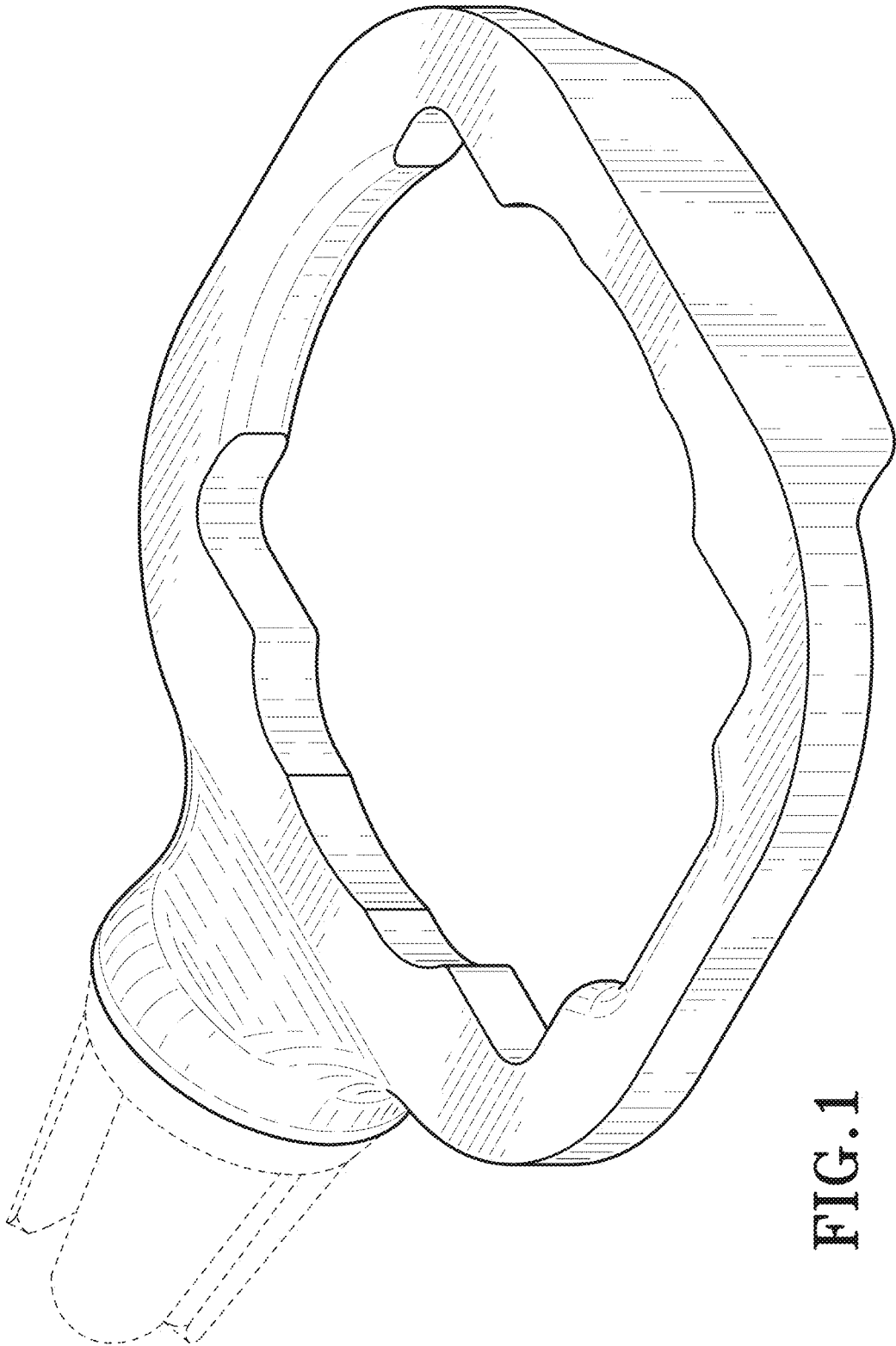


FIG. 1

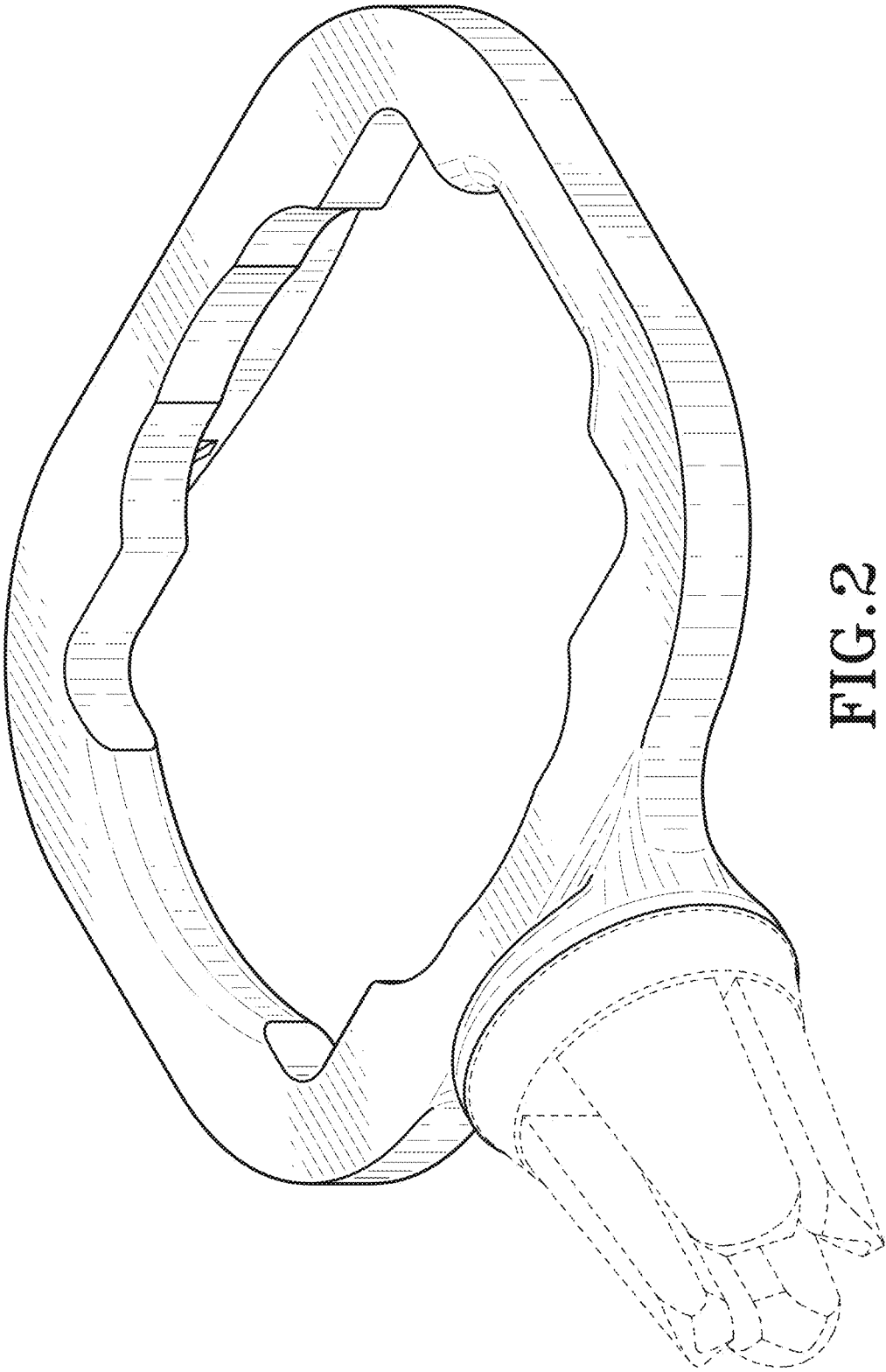


FIG. 2

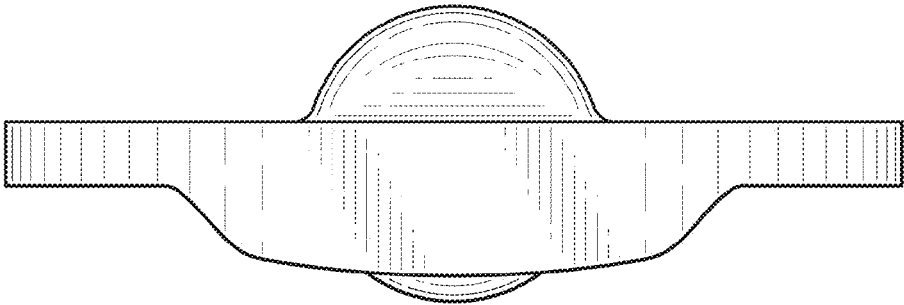


FIG. 3

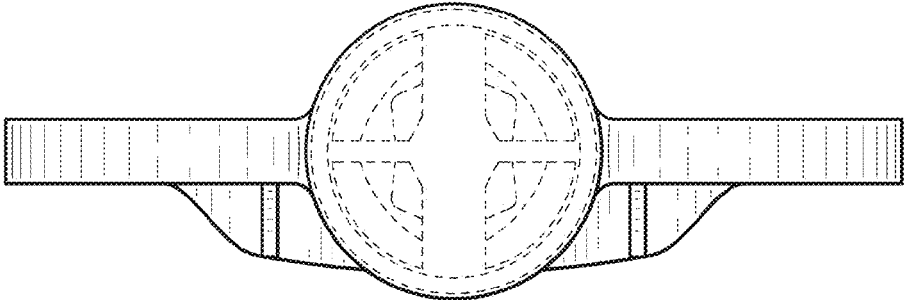


FIG. 4

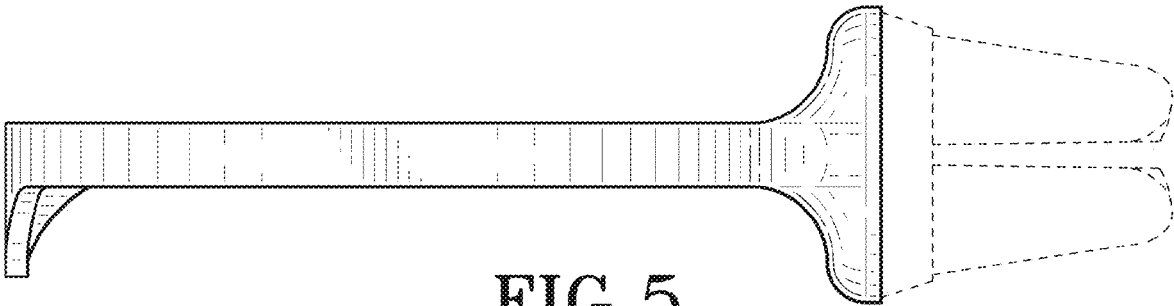


FIG. 5

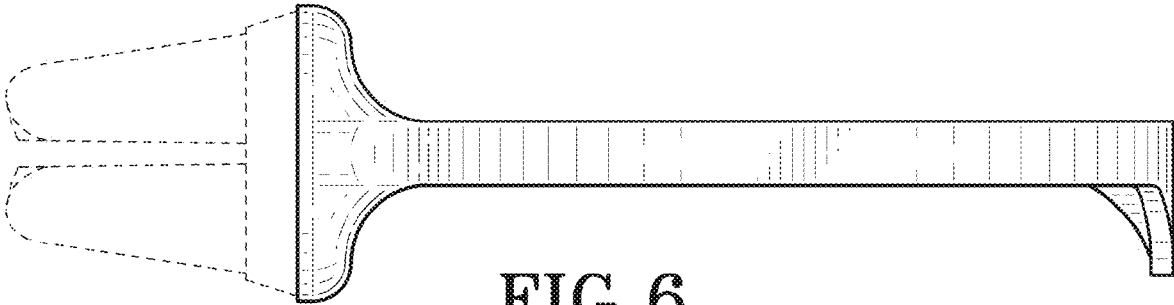


FIG. 6

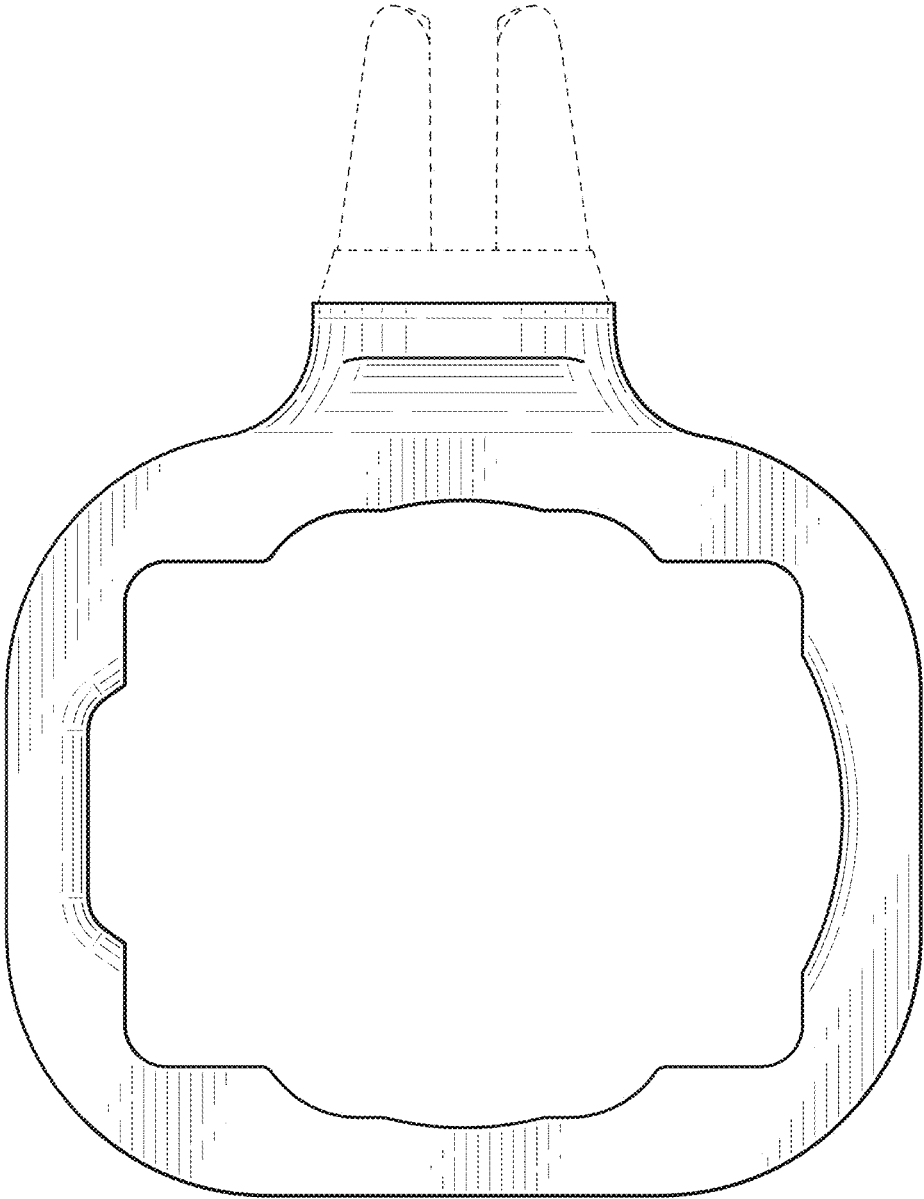


FIG. 7

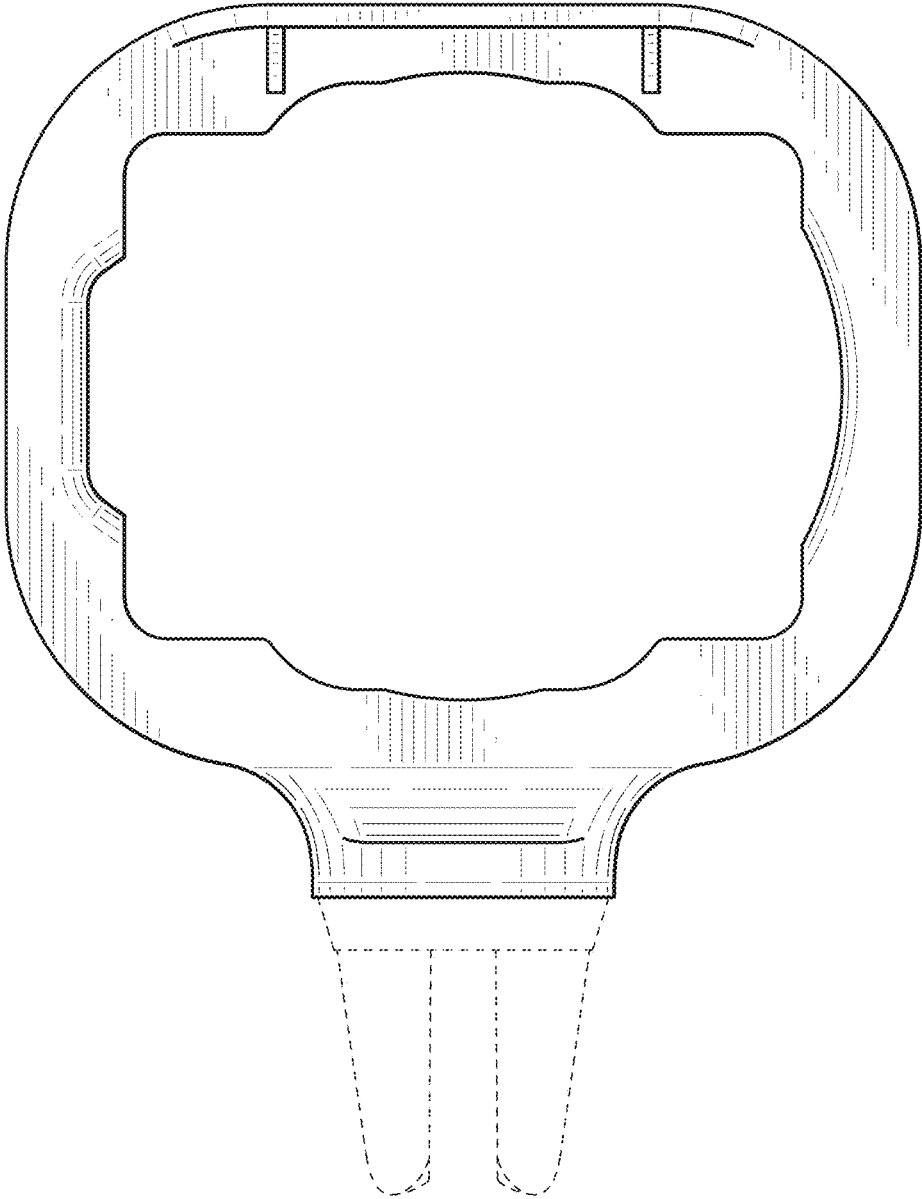


FIG. 8



(12) **United States Design Patent**
Moujaes et al.

(10) **Patent No.:** **US D960,653 S**
(45) **Date of Patent:** **** Aug. 16, 2022**

- (54) **CONDIMENT HOLDER**
- (71) Applicant: **MILKMEN DESIGN, LLC**, Akron, OH (US)
- (72) Inventors: **William Moujaes**, Akron, OH (US);
Tony Lahood, Hinckley, OH (US);
Michael Koury, Medina, OH (US)
- (73) Assignee: **MILKMEN DESIGN, LLC**, Akron, OH (US)
- (**) Term: **15 Years**
- (21) Appl. No.: **29/749,156**
- (22) Filed: **Sep. 3, 2020**

5,108,059 A	4/1992	Curtis	
D371,735 S *	7/1996	Motta	D6/535
5,667,119 A	9/1997	Florence	
5,702,041 A	12/1997	Sun et al.	
5,979,724 A	11/1999	Loewenthal, Jr. et al.	
6,152,302 A	11/2000	Miller et al.	
6,189,489 B1	2/2001	Pearce	
6,193,201 B1 *	2/2001	Babcock	B65D 5/44 248/205.3

(Continued)

OTHER PUBLICATIONS

XxNiceThingsxX, Etsy.com, SauceBoss Dip Holder for Car | Dip Clip | McDonalds Dip Holder | Dip Clip UK | Sauce Boss | Hot Item!—UK Seller, https://www.etsy.com/listing/560494888/sauceboss-dip-holder-for-car-dipclip?ga_order=most_relevant&ga_search_type=all&ga_view_type=gallery&ga_search_query=dipclip&ref=sr_gallery_1, publication was accessible on Nov. 28, 2017, 4 pages.

(Continued)

Primary Examiner — Terry A Wallace
(74) *Attorney, Agent, or Firm* — Sand, Sebolt & Wernow Co., LPA

(57) **CLAIM**

The ornamental design for a condiment holder, as shown and described.

DESCRIPTION

FIG. 1 is a front, top, left side, isometric perspective view of a condiment holder in accordance with our design; FIG. 2 is a rear, top, left side, isometric perspective view thereof; FIG. 3 is a front elevation view thereof; FIG. 4 is a rear elevation view thereof; FIG. 5 is a right side elevation view thereof; FIG. 6 is a left side elevation view thereof; FIG. 7 is a top plan view thereof; and, FIG. 8 is a bottom plan view thereof. The broken lines illustrate portions of the condiment holder which form no part of the claimed design.

1 Claim, 5 Drawing Sheets

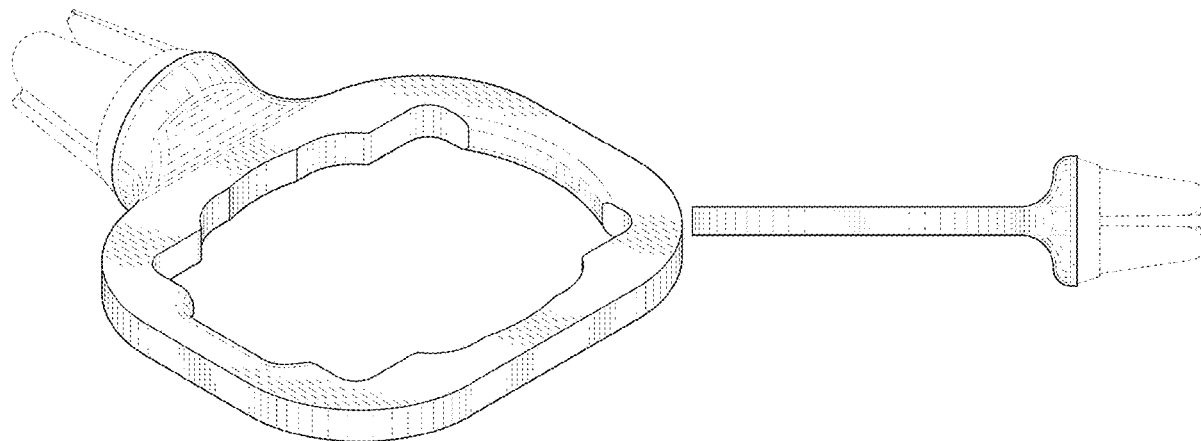
Related U.S. Application Data

- (63) Continuation-in-part of application No. 16/299,677, filed on Mar. 12, 2019, now Pat. No. 10,967,776, and a continuation-in-part of application No. 29/683,229, filed on Mar. 12, 2019, now Pat. No. Des. 899,196.
- (60) Provisional application No. 62/642,306, filed on Mar. 13, 2018.
- (51) **LOC (13) Cl.** **07-06**
- (52) **U.S. Cl.**
USPC **D7/601**; D7/620
- (58) **Field of Classification Search**
USPC D7/620, 601; D12/419, 420
CPC B60N 3/103; B60N 3/107; B60N 3/108;
B60N 3/10; B60N 3/18; B60R 7/06;
B60R 7/08; B60R 7/00; B60R 2011/0059;
B60R 2011/0008; B60R 2011/0042;
B60R 11/00; A47G 23/00
See application file for complete search history.

(56) **References Cited**

U.S. PATENT DOCUMENTS

4,339,033 A	7/1982	Cillario
4,854,466 A	8/1989	Lane, Jr.



(56)

References Cited

U.S. PATENT DOCUMENTS

6,196,434	B1	3/2001	Angran et al.	
D447,012	S *	8/2001	Owens	D7/620
6,364,112	B1	4/2002	Pitschka	
6,682,034	B1 *	1/2004	Vial	A47G 19/04 248/311.2
8,109,235	B2	4/2012	Lipscomb et al.	
8,459,481	B2	6/2013	Arkin	
D690,707	S	10/2013	Minn et al.	
D696,074	S *	12/2013	Shamoon	D7/584
D701,424	S *	3/2014	Shamoon	D7/505
9,199,584	B2	12/2015	Mango	
9,296,324	B2	3/2016	Mango	
D780,168	S	2/2017	Du	
9,567,136	B2 *	2/2017	Myoung	B65D 25/22
D783,593	S	4/2017	Chen	
D837,610	S *	1/2019	Maguire	D7/601
D899,196	S *	10/2020	Moujaes	D7/601
2010/0003375	A1	1/2010	Schechter	
2010/0065715	A1	3/2010	Fan	
2012/0138648	A1	6/2012	Moceo, II	
2013/0119103	A1	5/2013	Mango	
2013/0200124	A1 *	8/2013	Burwinkel	B60N 3/103 224/545
2014/0021233	A1 *	1/2014	Strole	B60N 3/10 224/545
2014/0103087	A1	4/2014	Fan	
2014/0138418	A1	5/2014	Dunn	
2014/0138419	A1 *	5/2014	Minn	F16B 2/065 224/567
2014/0183238	A1	7/2014	Lin	
2014/0326768	A1 *	11/2014	Mango	B60N 3/103 224/542
2015/0217697	A1 *	8/2015	Peters	B60R 7/06 224/483
2015/0366388	A1 *	12/2015	Goldstein	B65D 67/02 220/737
2017/0136960	A1	5/2017	Kim	
2019/0283646	A1	9/2019	Koury et al.	

OTHER PUBLICATIONS

ImproperEngineering, Etsy.com, Sauce Buddy Dip Clip Adjustable The Original || Car Vent Holder Car Vent Sauce Holder Car Vent Clip Air Vent Sauce Holder DipClip, https://www.etsy.com/listing/573887405/sauce-buddy-dip-clip-the-original-sauce?ga_order=most_relevant&ga_search_type=all&ga_view_type=gallery&ga_search_query=dipclip&ref=sr_gallery_2, publication was accessible on Nov. 28, 2017, 4 pages.

PrintinTime3D, Etsy.com, Little Dipper || Dip Clip || Sauce Holder || Car Accessories || Dipclip || Car Vent Holder, https://www.etsy.com/listing/575082339/little-dipper-dip-clip-sauce-holder-car?ga_order=most_relevant&ga_search_type=all&ga_view_type=gallery&ga_search_query=dipclip&ref=sr_gallery_3, publication was accessible Nov. 28, 2017, 3 pages.

Thingiverse, Car DipClip by darookee, <https://www.thingiverse.com/thing:2662748>, publication was accessible Nov. 28, 2017, 3 pages.

Thingiverse, Car DipClip, Sauce holder for a car, Clips into air vent Vo.02 by JuXas, <https://www.thingiverse.com/thing:2660990>, publication was accessible Nov. 28, 2017, 3 pages.

12 WBOY.com, 'Fast Food Buddy' Invention Makes Eating On-the-Go Easier for Consumers, <http://www.wvalways.com/story/26388108/fast-food-buddy-invention-makes-eating-on-the-go-easier-for-consumers>. Posted August 27, 2014, 2 pages.

FFB, Amazon.com, Bright Red Fast Food Buddy Dipping Sauce and Cup Holder, <https://www.amazon.com/Bright-Buddy-Dipping-Sauce-Holder/dp/B01C9RPI4E>, May 5, 2016, 4 pages.

Prepworks Dip Clip Set (Set of 4), Assorted Colors, https://www.walmart.com/ip/Prepworks-Dip-Clip-Set-Set-of-4-Assorted-Colors/28491881?wmlspartner=wlp&selectedSellerId=&adid=2222222227019047513&wl0=&wl1=g&wl2=c&wl3=52360689975&wl4=pla-79465779735&wl5=9015314&wl6=&wl7=&wl8=&wl9=pla_with_promotion&wl10=8175035&wl11=online&wl12=28491881&wl13=&veh=sem, publication was accessible Nov. 28, 2017, 4 pages.

* cited by examiner

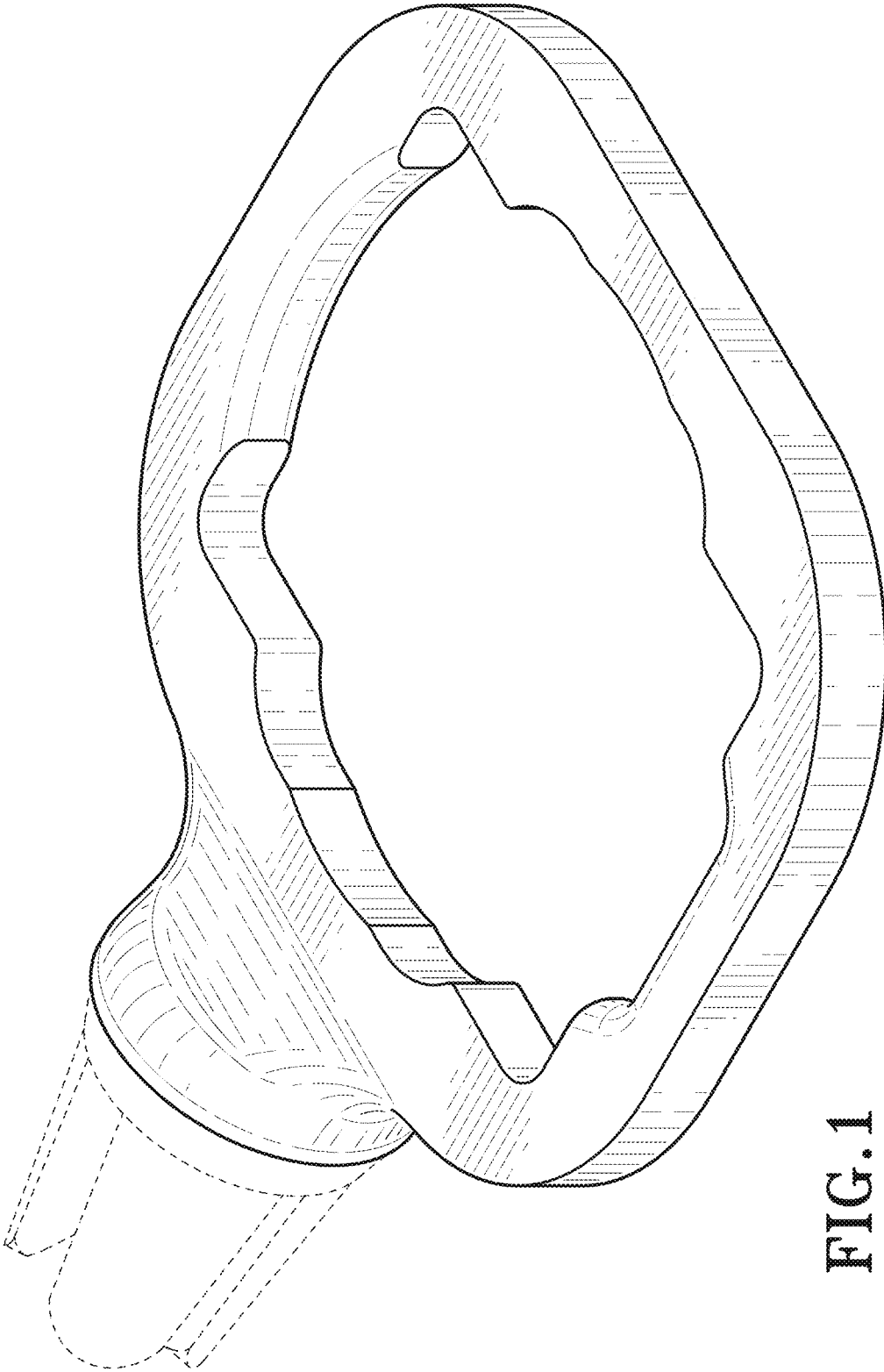


FIG. 1

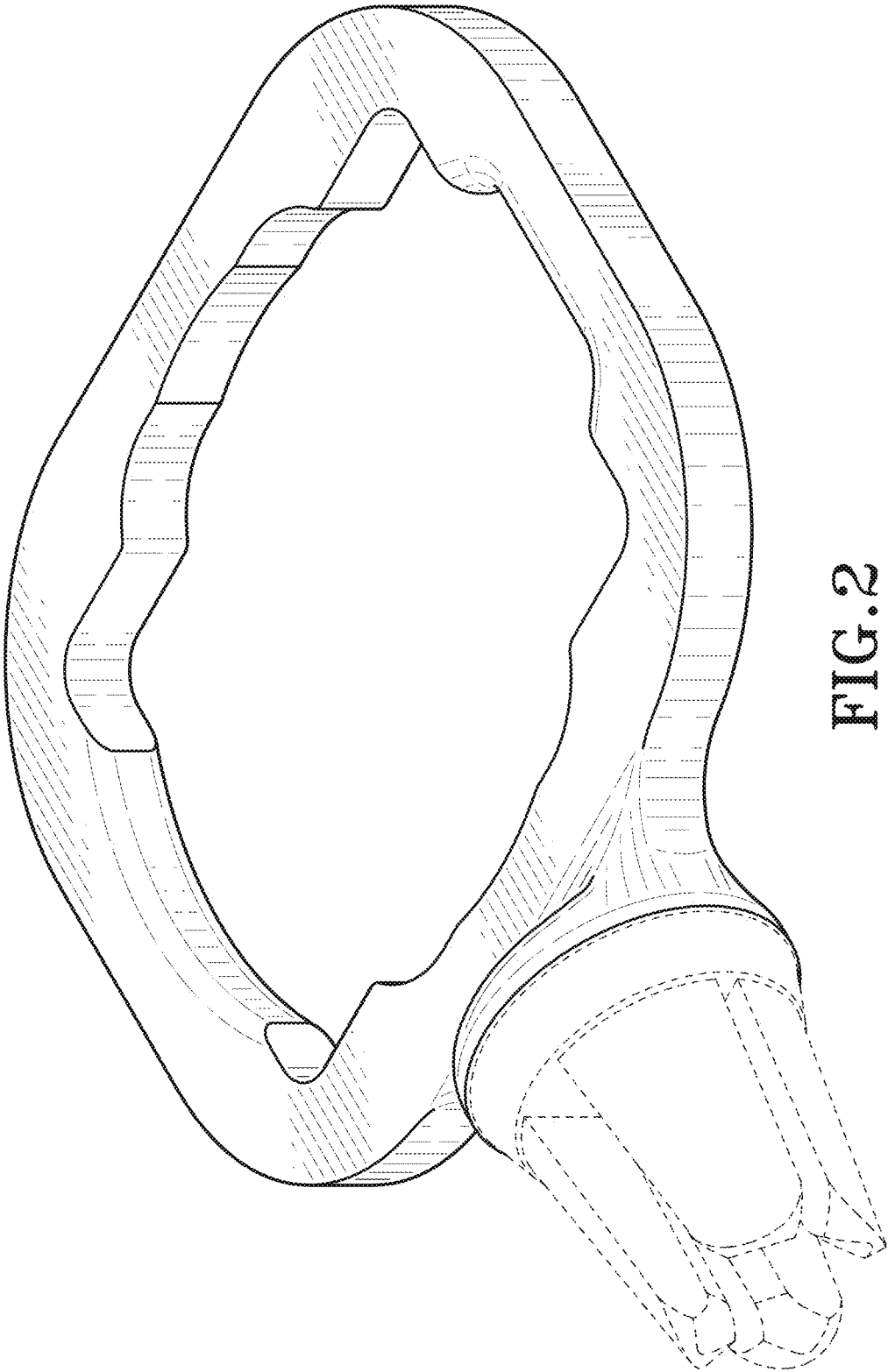


FIG.2

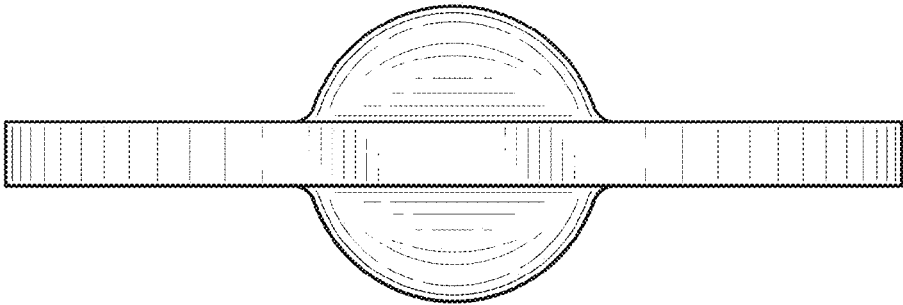


FIG. 3

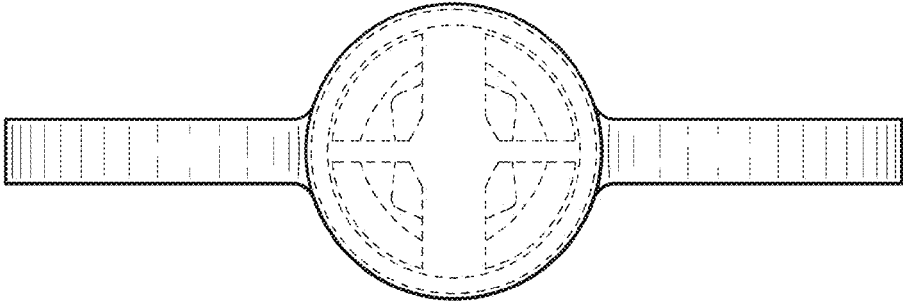


FIG. 4

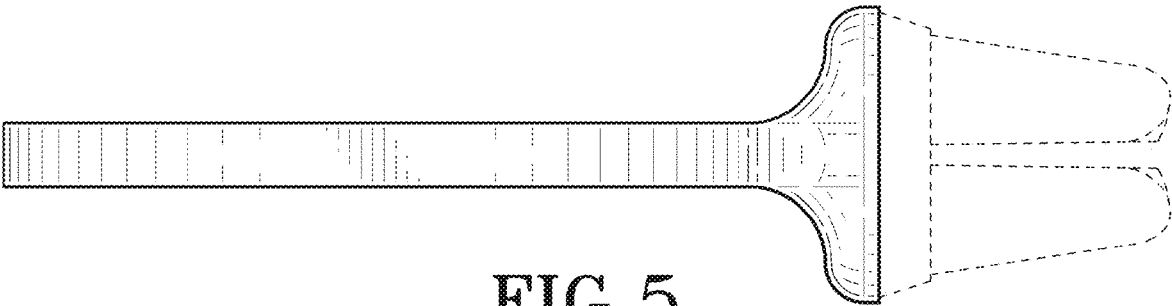


FIG. 5

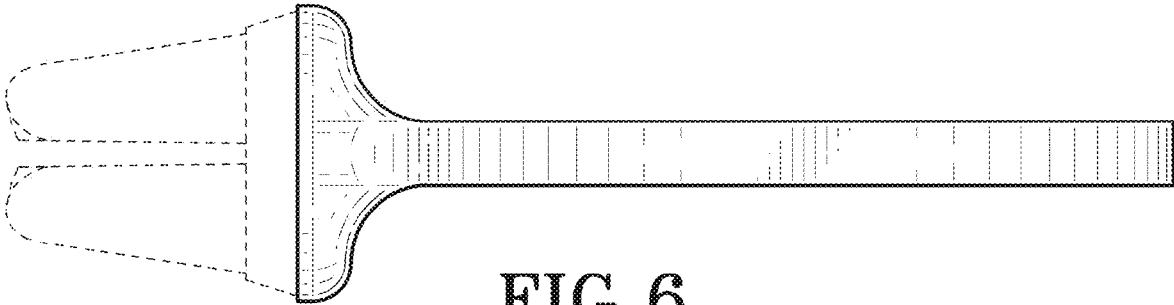


FIG. 6

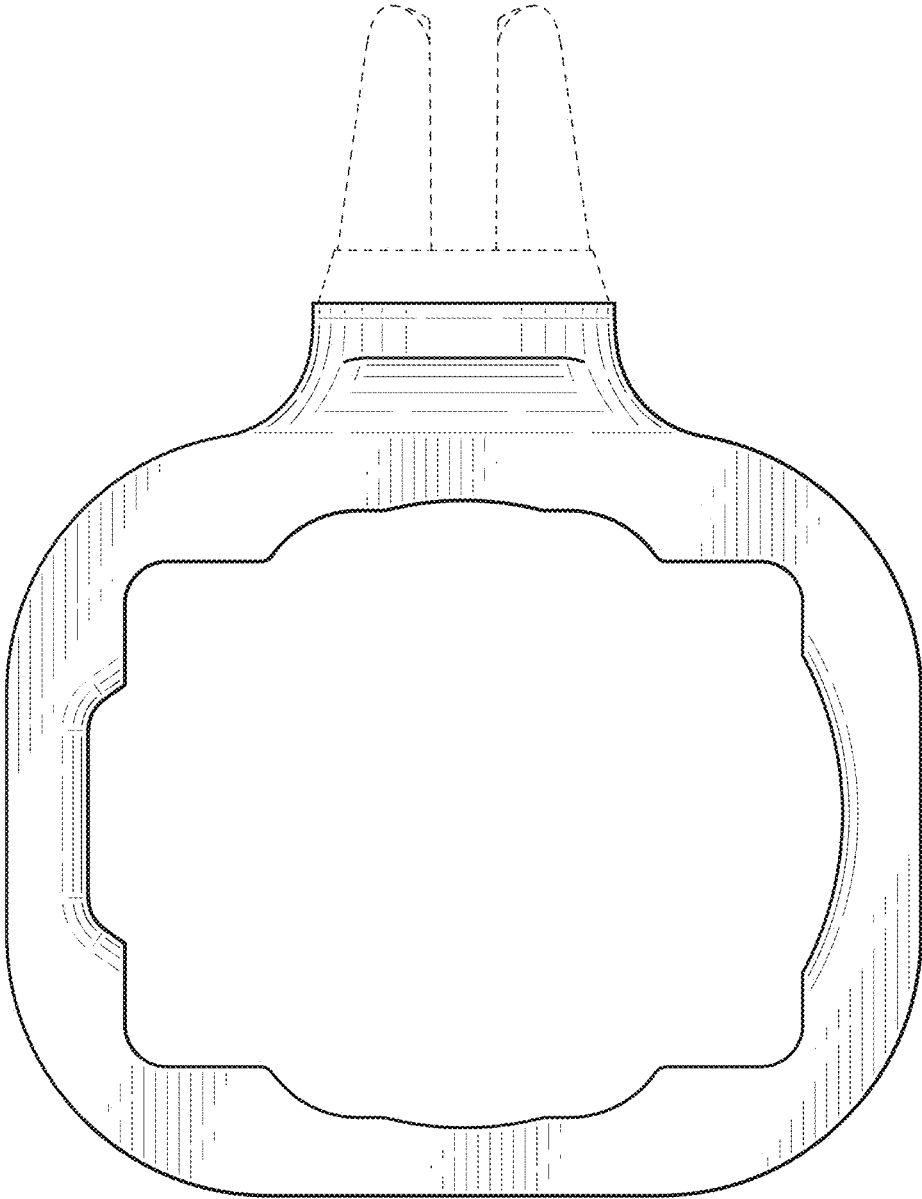


FIG. 7

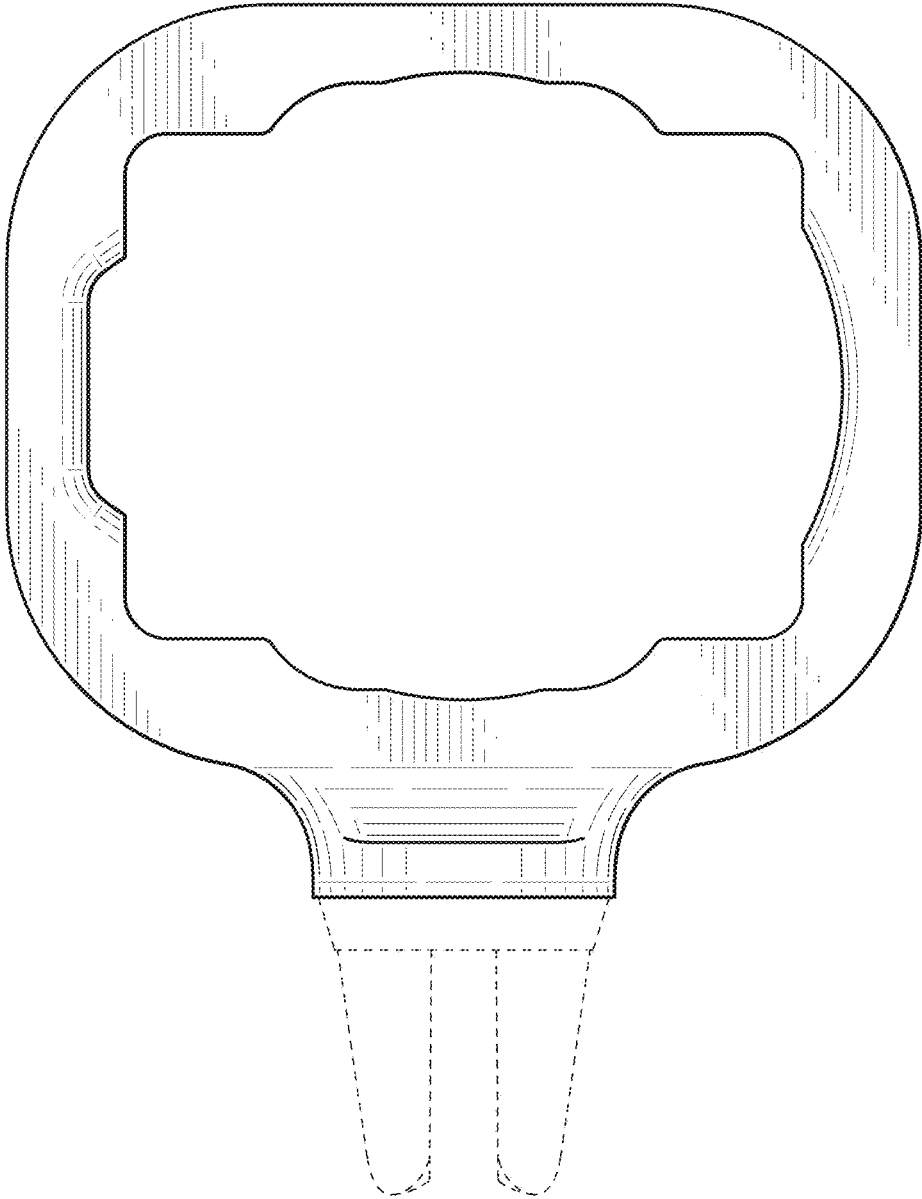


FIG. 8



US00D960654S

(12) **United States Design Patent**
Moujaes et al.

(10) **Patent No.:** **US D960,654 S**

(45) **Date of Patent:** **** Aug. 16, 2022**

(54) **CONDIMENT HOLDER**

(71) Applicant: **MILKMEN DESIGN, LLC**, Akron, OH (US)

(72) Inventors: **William Moujaes**, Akron, OH (US);
Tony Lahood, Hinckley, OH (US);
Michael Koury, Medina, OH (US)

(73) Assignee: **MILKMEN DESIGN, LLC**, Akron, OH (US)

(**) Term: **15 Years**

(21) Appl. No.: **29/749,211**

(22) Filed: **Sep. 3, 2020**

Related U.S. Application Data

(63) Continuation-in-part of application No. 16/299,677, filed on Mar. 12, 2019, now Pat. No. 10,967,776, and a continuation-in-part of application No. 29/683,229, filed on Mar. 12, 2019, now Pat. No. Des. 899,196.

(51) **LOC (13) Cl.** **07-06**

(52) **U.S. Cl.**
USPC **D7/601; D7/620**

(58) **Field of Classification Search**
USPC D7/620, 601; D12/419, 420
CPC B60N 3/103; B60N 3/107; B60N 3/108;
B60N 3/10; B60N 3/18; B60R 7/06;
B60R 7/08; B60R 7/00; B60R 2011/0059;
B60R 2011/0008; B60R 2011/0042;
B60R 11/00; A47G 23/00

See application file for complete search history.

(56) **References Cited**

U.S. PATENT DOCUMENTS

4,339,033 A 7/1982 Cillario
4,854,466 A 8/1989 Lane, Jr.
5,108,059 A 4/1992 Curtis
D371,735 S * 7/1996 Motta D6/535

5,667,119 A 9/1997 Florence
5,702,041 A 12/1997 Sun et al.
5,979,724 A 11/1999 Loewenthal, Jr. et al.
6,152,302 A 11/2000 Miller et al.
6,189,489 B1 2/2001 Pearce
(Continued)

OTHER PUBLICATIONS

XxNiceThingsxX, Etsy.com, SauceBoss Dip Holder for Car | DipClip | McDonalds Dip Holder | Dip Clip UK | Sauce Boss | Hot Item!—UK Seller, https://www.etsy.com/listing/560494888/sauceboss-dip-holder-for-car-dipclip?ga_order=most_relevant&ga_search_type=all&ga_view_type=gallery&ga_search_query=dipclip&ref=sr_gallery_1, publication was accessible on Nov. 28, 2017, 4 pages.

(Continued)

Primary Examiner — Terry A Wallace

(74) *Attorney, Agent, or Firm* — Sand, Sebolt & Wernow Co., LPA

(57) **CLAIM**

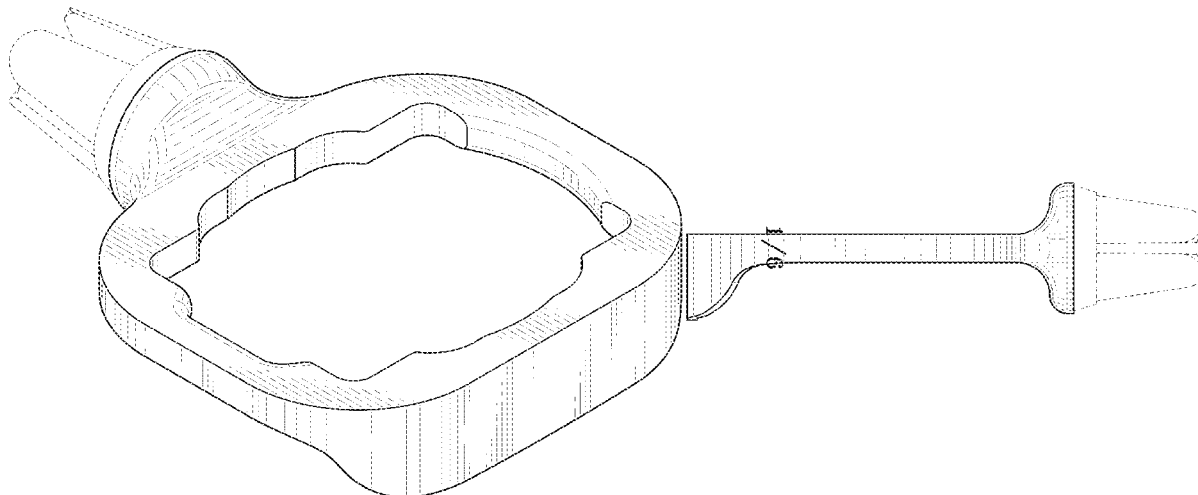
The ornamental design for a condiment holder, as shown and described.

DESCRIPTION

FIG. 1 is a front, top, left side, isometric perspective view of a condiment holder in accordance with our design; FIG. 2 is a rear, top, left side, isometric perspective view thereof; FIG. 3 is a front elevation view thereof; FIG. 4 is a rear elevation view thereof; FIG. 5 is a right side elevation view thereof; FIG. 6 is a left side elevation view thereof; FIG. 7 is a top plan view thereof; FIG. 8 is a bottom plan view thereof; and, FIG. 9 is a cross-section of the condiment holder taken along line 9-9 of FIG. 7.

The broken lines illustrate portions of the condiment holder which form no part of the claimed design.

1 Claim, 6 Drawing Sheets



(56)

References Cited

U.S. PATENT DOCUMENTS

6,193,201 B1* 2/2001 Babcock B65D 5/44
248/205.3

6,196,434 B1 3/2001 Angran et al.

D447,012 S * 8/2001 Owens D7/620

6,364,112 B1 4/2002 Pitschka

6,682,034 B1* 1/2004 Vial A47G 19/04
248/311.2

8,109,235 B2 4/2012 Lipscomb et al.

8,459,481 B2 6/2013 Arkin

D690,707 S 10/2013 Minn et al.

D696,074 S * 12/2013 Shamoan D7/584

D701,424 S * 3/2014 Shamoan D7/505

9,199,584 B2 12/2015 Mango

9,296,324 B2 3/2016 Mango

D780,168 S 2/2017 Du

9,567,136 B2* 2/2017 Myoung B65D 25/22

D783,593 S 4/2017 Chen

D837,610 S * 1/2019 Maguire D7/601

D899,196 S * 10/2020 Moujaes D7/601

2010/0003375 A1 1/2010 Schecter

2010/0065715 A1 3/2010 Fan

2012/0138648 A1 6/2012 Moceo, II

2013/0119103 A1 5/2013 Mango

2013/0200124 A1* 8/2013 Burwinkel B60N 3/103
224/545

2014/0021233 A1* 1/2014 Strole B60N 3/10
224/545

2014/0103087 A1 4/2014 Fan

2014/0138418 A1 5/2014 Dunn

2014/0138419 A1* 5/2014 Minn F16B 2/065
224/567

2014/0183238 A1 7/2014 Lin

2014/0326768 A1* 11/2014 Mango B60N 3/103
224/542

2015/0217697 A1* 8/2015 Peters B60R 7/06
224/483

2015/0366388 A1* 12/2015 Goldstein B65D 67/02
220/737

2017/0136960 A1 5/2017 Kim

2019/0283646 A1 9/2019 Koury et al.

OTHER PUBLICATIONS

ImproperEngineering, Etsy.com, Sauce Buddy Dip Clip Adjustable The Original || Car Vent Holder Car Vent Sauce Holder Car Vent Clip Air Vent Sauce Holder DipClip, https://www.etsy.com/listing/573887405/sauce-buddy-dip-clip-the-original-sauce?ga_order=most_relevant&ga_search_type=all&ga_view_type=gallery&ga_search_query=dipclip&ref=sr_gallery_2, publication was accessible on Nov. 28, 2017, 4 pages.

PrintinTime3D, Etsy.com, Little Dipper || Dip Clip || Sauce Holder || Car Accessories || Dipclip || Car Vent Holder, https://www.etsy.com/listing/575082339/little-dipper-dip-clip-sauce-holder-car?ga_order=most_relevant&ga_search_type=all&ga_view_type=gallery&ga_search_query=dipclip&ref=sr_gallery_3, publication was accessible Nov. 28, 2017, 3 pages.

Thingiverse, Car DipClip by darookee, <https://www.thingiverse.com/thing:2662748>, publication was accessible Nov. 28, 2017, 3 pages.

Thingiverse, Car DipClip, Sauce holder for a car, Clips into air vent Vo.02 by JuXas, <https://www.thingiverse.com/thing:2660990>, publication was accessible Nov. 28, 2017, 3 pages.

12 WBOY.com, 'Fast Food Buddy' Invention Makes Eating On-the-Go Easier for Consumers, <http://www.wvalways.com/story/26388108/fast-food-buddy-invention-makes-eating-on-the-go-easier-for-consumers>, Posted Aug. 27, 2014, 2 pages.

FFB, Amazon.com, Bright Red Fast Food Buddy Dipping Sauce and Cup Holder, <https://www.amazon.com/Bright-Buddy-Dipping-Sauce-Holder/dp/B01C9RPI4E>, May 5, 2016, 4 pages.

Prepworks Dip Clip Set (Set of 4), Assorted Colors, https://www.walmart.com/ip/Prepworks-Dip-Clip-Set-Set-of-4-Assorted-Colors/28491881?wmlspartner=wlp&selectedSellerId=0&adid=2222222227019047513&wl0=&wl1=g&wl2=c&wl3=52360689975&wl4=pla-79465779735&wl5=9015314&wl6=&wl7=&wl8=&wl9=pla_with_promotion&wl10=8175035&wl11=online&wl12=28491881&wl13=&veh=sem, publication was accessible Nov. 28, 2017, 4 pages.

* cited by examiner

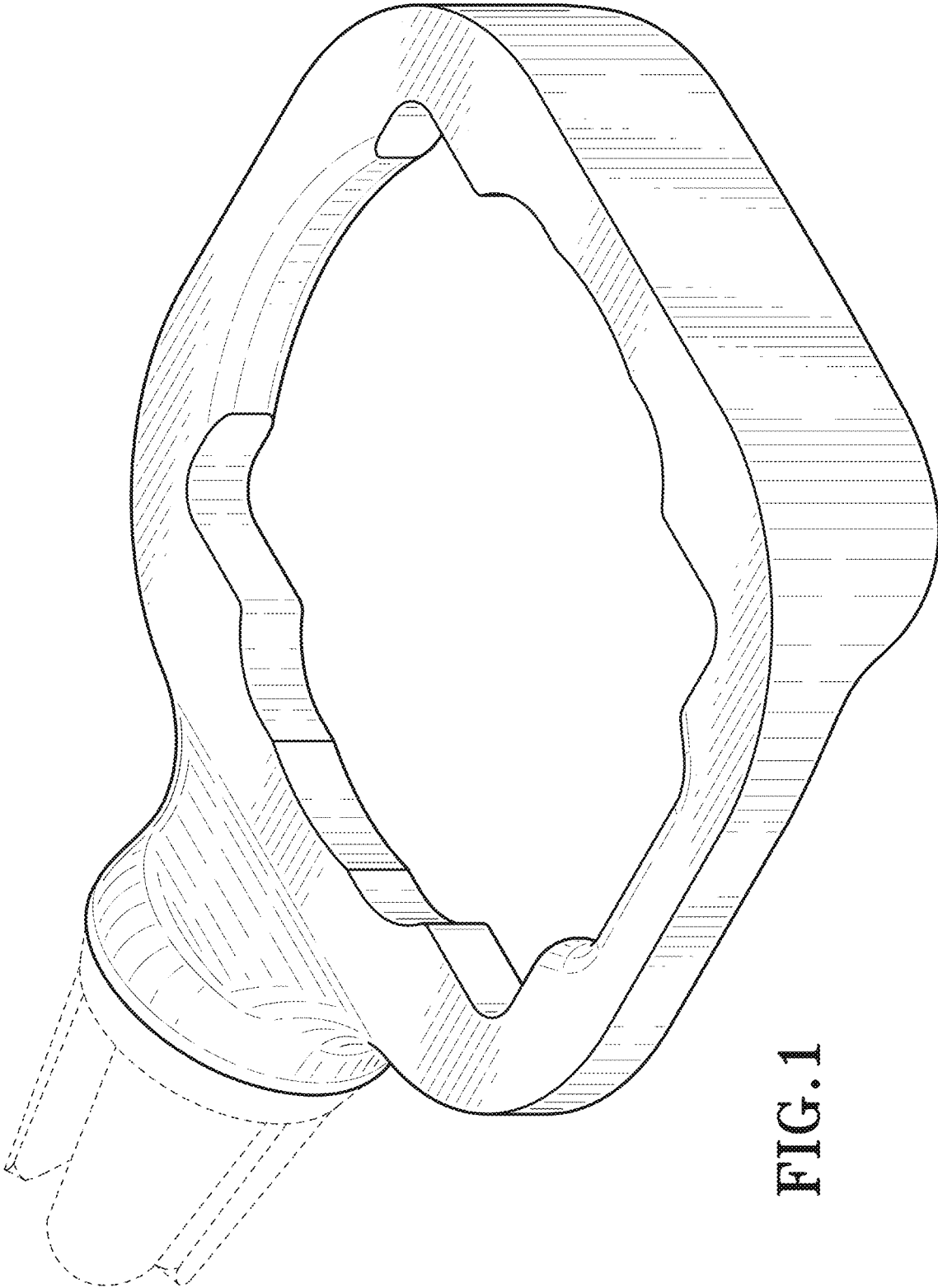


FIG. 1

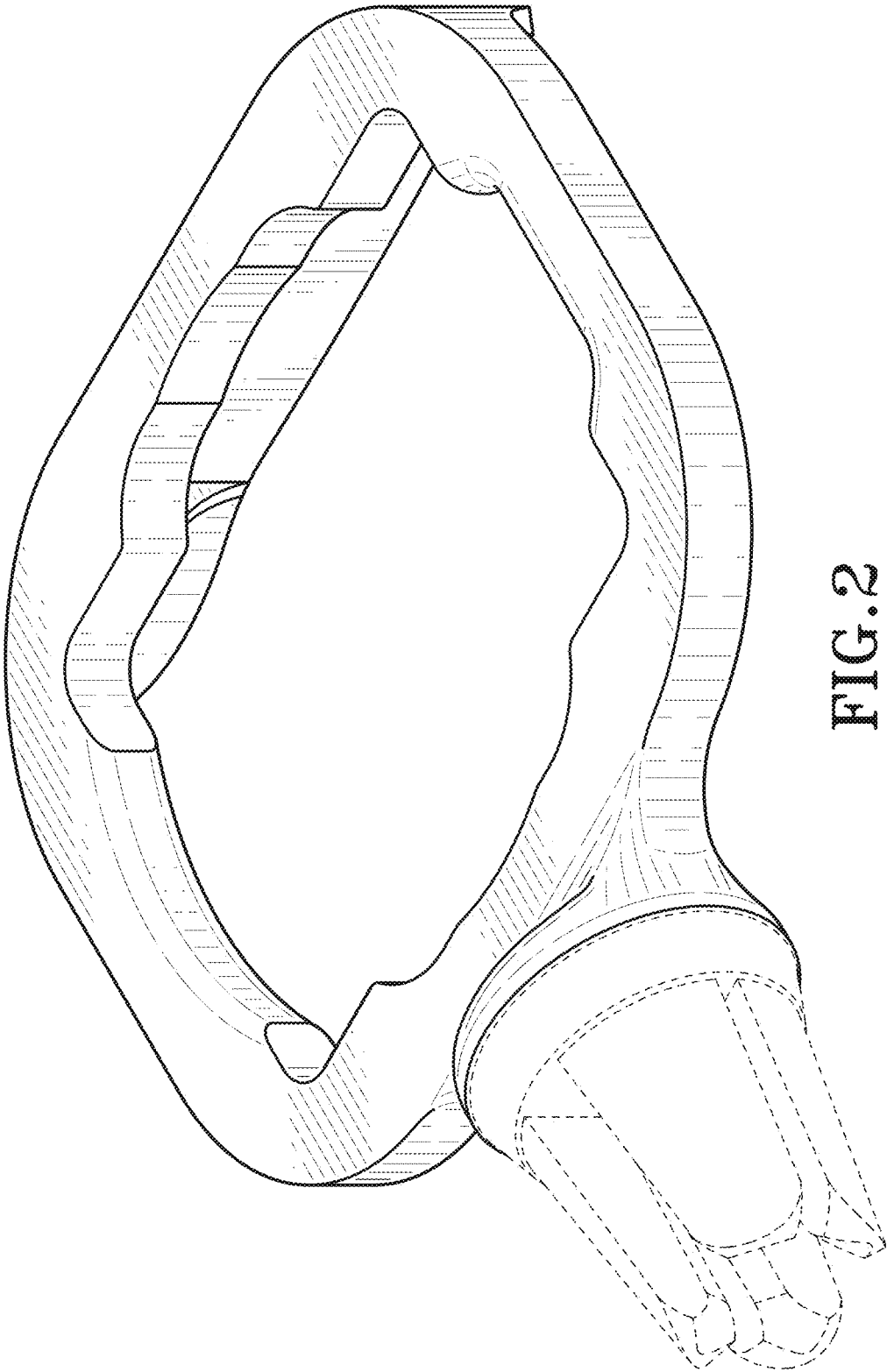


FIG. 2

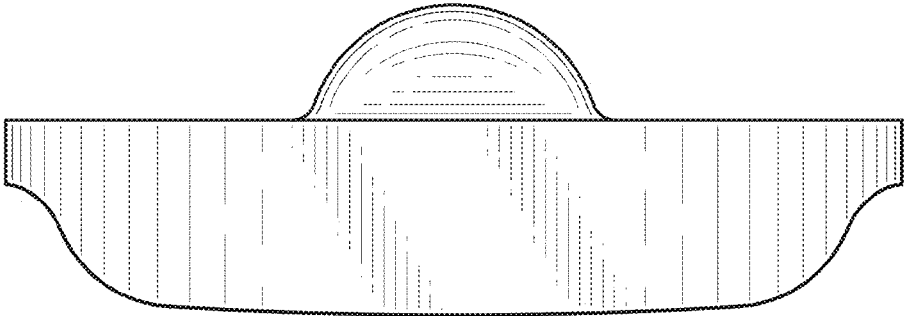


FIG. 3

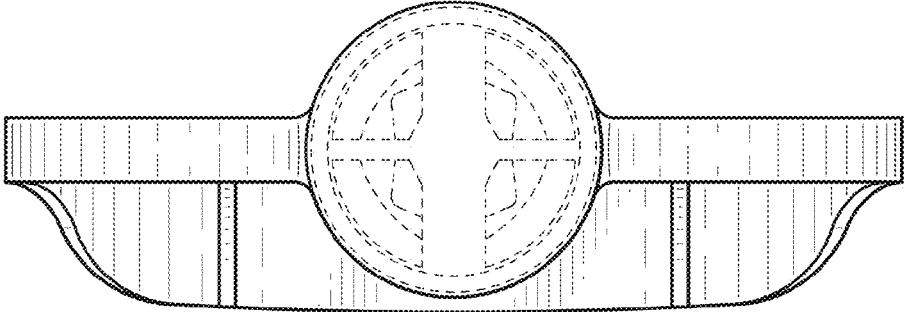


FIG. 4

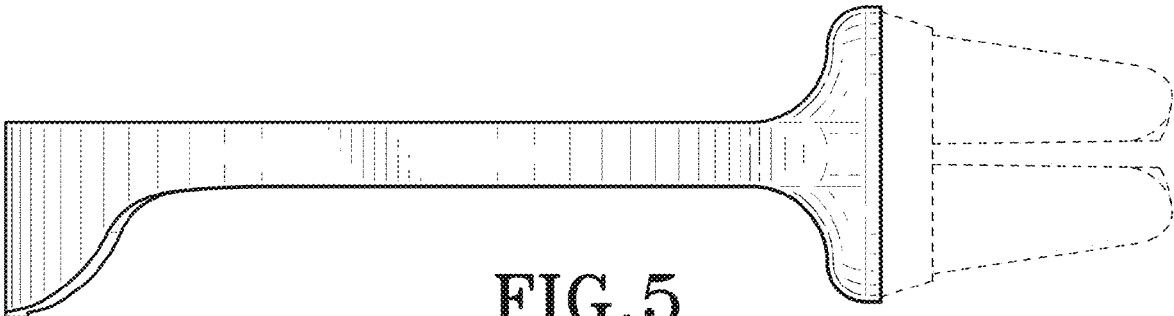


FIG. 5

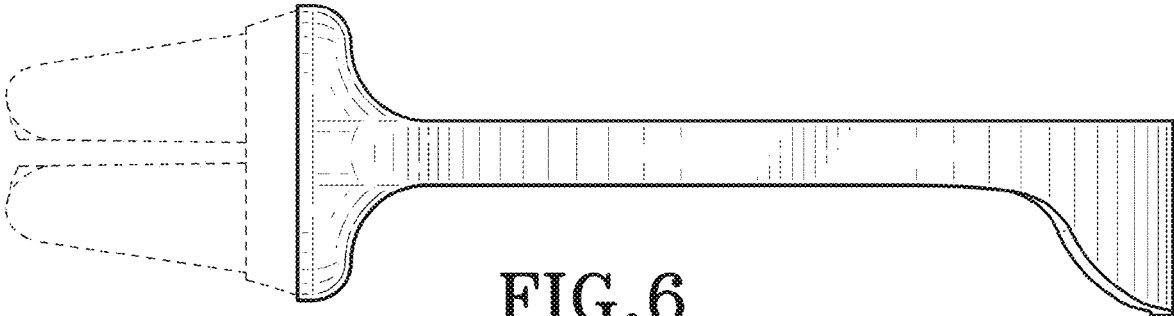


FIG. 6

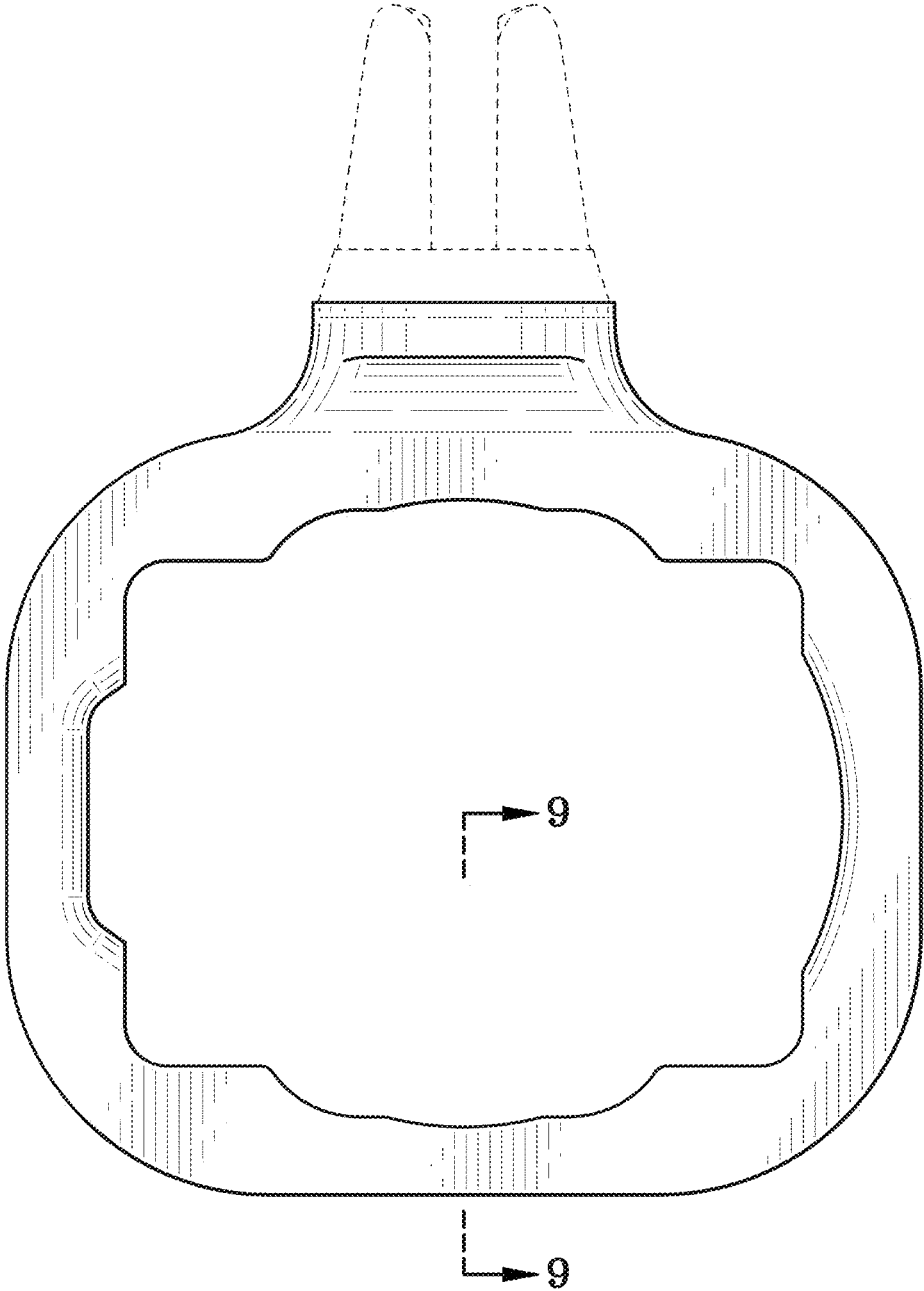


FIG. 7

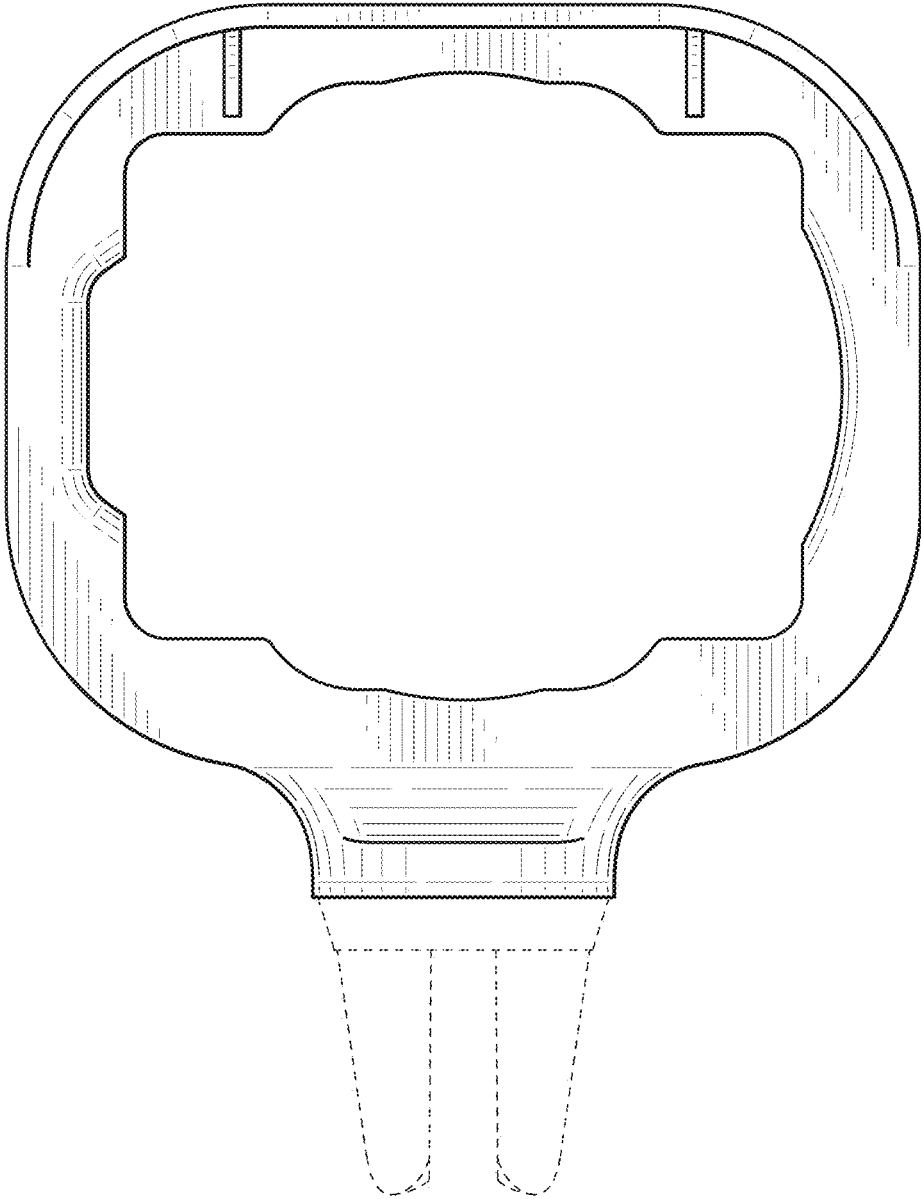


FIG. 8

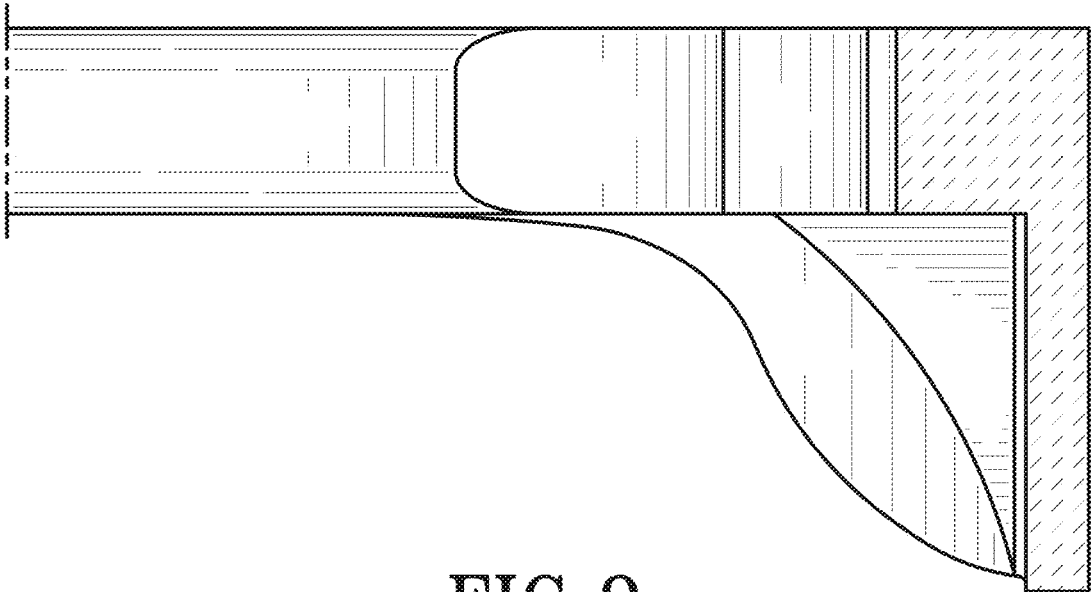


FIG. 9

Registration #: VA0002316570
Service Request #: 1-11623631301

Mail Certificate

Milkmen Design, LLC
Mike Koury
501 Vinita Ave
Akron, OH 44320 United States

Priority: Special Handling

Application Date: August 19, 2022

Correspondent

Organization Name: Milkmen Design, LLC
Name: Mike Koury
Email: elfcopyrighthelper@gmail.com
Address: 501 Vinita Ave
Akron, OH 44320 United States

Registration Number

VA 2-316-570

Effective Date of Registration:

August 19, 2022

Registration Decision Date:

August 31, 2022

Copyright Registration for a Group of Published Photographs

Registration issued pursuant to 37 C.F.R. § 202.4(i)

For Photographs Published: May 15, 2018 to May 15, 2018

Title

Title of Group: SauceMoto Product Pictures 2018
Number of Photographs in Group: 5

- **Individual Photographs:** SMO-1 5.2018,
SMO-2 5.2018,
SMO-3 5.2018,
SMO-4 5.2018,
SMO-5 5.2018

Published: May 2018

Completion/Publication

Year of Completion: 2018
Earliest Publication Date in Group: May 15, 2018
Latest Publication Date in Group: May 15, 2018
Nation of First Publication: United States

Author

- **Author:** Milkmen Design, LLC
Author Created: photographs
Work made for hire: Yes
Citizen of: United States

Copyright Claimant

Copyright Claimant: Milkmen Design, LLC
501 Vinita Ave, Akron, OH, 44320, United States

Rights and Permissions

Organization Name: Milkmen Design, LLC
Address: 501 Vinita Ave
Akron, OH 44320 United States

Certification

Name: Shreya Tiwari
Date: August 19, 2022

Correspondence: Yes
Copyright Office notes: Regarding title information: Deposit contains complete list of titles that correspond to the individual photographs included in this group.

Regarding group registration: A group of published photographs may be registered on one application with one filing fee only under limited circumstances. ALL of the following are required: 1. All photographs (a) were created by the same author AND (b) are owned by the same copyright claimant AND (c) were published in the same calendar year AND 2. The group contains 750 photographs or less AND 3. A sequentially numbered list of photographs containing the title, file name and month of publication for each photograph included in the group must be uploaded along with other required application materials. The list must be submitted in an approved document format such as .XLS or .PDF. The file name for the numbered list must contain the title of the group and the Case Number assigned to the application.

Registration #: VA0002318712
Service Request #: 1-11714092751

Mail Certificate

Milkmen Design, LLC
Mike Koury
501 Vinita Ave
Akron, OH 44320 United States

Priority: Special Handling

Application Date: September 14, 2022

Correspondent

Organization Name: Milkmen Design, LLC
Name: Mike Koury
Email: elfcopyrighthelper@gmail.com
Address: 501 Vinita Ave
Akron, OH 44320 United States

Registration Number

VA 2-318-712

Effective Date of Registration:

September 14, 2022

Registration Decision Date:

September 15, 2022

Copyright Registration for a Group of Published Photographs

Registration issued pursuant to 37 C.F.R. § 202.4(i)

For Photographs Published: October 14, 2017 to October 14, 2017

Title

Title of Group: SauceMoto Product Pictures 2017
Number of Photographs in Group: 5

- **Individual Photographs:** SMO-6 10.2017,
SMO-7 10.2017,
SMO-10 10.2017,
SMO-11 10.2017,
SMO-12 10.2017

Published: October 2017

Completion/Publication

Year of Completion: 2017
Earliest Publication Date in Group: October 14, 2017
Latest Publication Date in Group: October 14, 2017
Nation of First Publication: United States

Author

- **Author:** Milkmen Design, LLC
Author Created: photographs
Work made for hire: Yes
Citizen of: United States

Copyright Claimant

Copyright Claimant: Milkmen Design, LLC
501 Vinita Ave, Akron, OH, 44320, United States

Rights and Permissions

Organization Name: Milkmen Design, LLC
Address: 501 Vinita Ave
Akron, OH 44320 United States

Certification

Name: Shreya tiwari
Date: September 14, 2022

Copyright Office notes: Regarding title information: Deposit contains complete list of titles that correspond to the individual photographs included in this group.

Regarding group registration: A group of published photographs may be registered on one application with one filing fee only under limited circumstances. ALL of the following are required: 1. All photographs (a) were created by the same author AND (b) are owned by the same copyright claimant AND (c) were published in the same calendar year AND 2. The group contains 750 photographs or less AND 3. A sequentially numbered list of photographs containing the title, file name and month of publication for each photograph included in the group must be uploaded along with other required application materials. The list must be submitted in an approved document format such as .XLS or .PDF. The file name for the numbered list must contain the title of the group and the Case Number assigned to the application.

SAUCEMOTO Copyright Summary

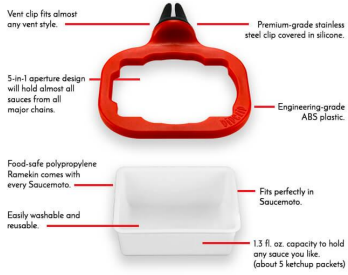
Image	Filename	Registration #
<p><i>Small sauces fit in portrait mode.</i></p> 	<p>SMO-1</p>	<p><u>VA0002316570</u></p>
<p><i>Large sauces fit in landscape mode.</i></p> 	<p>SMO-2</p>	<p><u>VA0002316570</u></p>
<p><i>Large ketchup fits in landscape mode.</i></p> 	<p>SMO-3</p>	<p><u>VA0002316570</u></p>

<p>Round sauces fit in the middle.</p> 	<p>SMO-4</p>	<p><u>VA0002316570</u></p>
<p>Use the ramekin for everything else!</p> 	<p>SMO-5</p>	<p><u>VA0002316570</u></p>
<p>UNIVERSAL MOUNT Fits vents of all shapes & sizes.</p>  <p>Mount rotates and locks into 16 positions for different vent angles</p> <p>Varying gap sizes for attachment to thick or thin louvers</p>	<p>SMO-6</p>	<p><u>VA0002318712</u></p>
	<p>SMO-7</p>	<p><u>VA0002318712</u></p>



SMO-10

VA0002318712



SMO-11

VA0002318712



SMO-12

VA0002318712

WebVoyage Record View 1

ccatalog.loc.gov/cgi-bin/Pwebrecon.cgi?Search_Arg=VA0002316570&Search_Code=REGS&PID=18Fkba4zSm-s1FLcbXd8FFYix-...

Copyright

The U.S. Copyright Office Catalog will not be available on Wednesday, September 21 between 8:30pm and 9:00pm while the Library performs maintenance. We apologize for the inconvenience.

Try the [Copyright Public Records System \(CPRS\)](#) pilot with enhanced search features and filters.

[Help](#) | [Search](#) | [History](#) | [Titles](#) | [Start Over](#)

Public Catalog

Copyright Catalog (1978 to present)
 Search Request: Left Anchored Copyright Number = VA0002316570
 Search Results: Displaying 1 of 1 entries

[previous](#) [next](#)

Library View

SauceMoto Product Pictures 2018

Type of Work: Visual Material
Registration Number / Date: VA0002316570 / 2022-08-10
Application Title: SauceMoto Product Pictures 2018
Title: SauceMoto Product Pictures 2018. [Group registration of published photographs. 5 photographs. 2018-05-15 to 2018-05-15]
Description: 5 photographs : Electronic file (eService)
Copyright Claimant: Milliken Design, LLC. Address: 501 Vinta Ave, Akron, OH, 44320, United States.
Date of Creation: 2018
Publication Date Range: 2018-05-15 to 2018-05-15
Nation of First Publication: United States
Authorship on Application: Milliken Design, LLC, employer for hire; Citizenship: United States; Authorship: photographs.
Rights and Permissions: Milliken Design, LLC, 501 Vinta Ave, Akron, OH, 44320, United States
Copyright Note: C.O. correspondence.
 Regarding title information: Depost contains complete list of titles that correspond to the individual photographs included in this group.
 Regarding group registration: A group of published photographs may be registered on one application with one filing fee only under limited circumstances. ALL of the following are required: 1. All photographs (a) were created by the same author AND (b) are owned by the same copyright claimant AND (c) were published in the same calendar year AND 2. The group contains 750 photographs or less AND 3. A sequentially numbered list of photographs containing the title, file name and month of publication for each photograph included in the group must be uploaded along with other required application materials. The list must be submitted in an approved document format such as XLS or PDF. The file name for the numbered list must contain the title of the group and the Case Number assigned to the application.
Photographs: Published in May 2018 (5 photographs): SMO-1 5 2018, SMO-2 5 2018, SMO-3 5 2018, SMO-4 5 2018, SMO-5 5 2018
Name: [Milliken Design, LLC](#)

[previous](#) [next](#)

Save, Print and Email (Help Page)
 Select Download Format [Full Record] | [Format for Print/Save]
 Enter your email address: _____ Email

[Help](#) | [Search](#) | [History](#) | [Titles](#) | [Start Over](#)

[Contact Us](#) | [Request Copies](#) | [Get a Search Estimate](#) | [Frequently Asked Questions \(FAQ\)](#) about Copyright | [Copyright Office Home Page](#) | [Library of Congress Home Page](#)

WebVoyage Record View 1

ccatalog.loc.gov/cgi-bin/Pwebrecon.cgi?Search_Arg=VA0002318712&Search_Code=REGS&PID=5FMyui219uERgiLuukMtg7k9-l...

Copyright

The U.S. Copyright Office Catalog will not be available on Wednesday, September 21 between 8:30pm and 9:00pm while the Library performs maintenance. We apologize for the inconvenience.

Try the [Copyright Public Records System \(CPRS\)](#) pilot with enhanced search features and filters.

[Help](#) | [Search](#) | [History](#) | [Titles](#) | [Start Over](#)

Public Catalog

Copyright Catalog (1978 to present)
 Search Request: Left Anchored Copyright Number = VA0002318712
 Search Results: Displaying 1 of 1 entries

[previous](#) [next](#)

Library View

SauceMoto Product Pictures 2017

Type of Work: Visual Material
Registration Number / Date: VA0002318712 / 2022-09-14
Application Title: SauceMoto Product Pictures 2017
Title: SauceMoto Product Pictures 2017. [Group registration of published photographs. 5 photographs. 2017-10-14 to 2017-10-14]
Description: 5 photographs : Electronic file (eService)
Copyright Claimant: Milliken Design, LLC. Address: 501 Vinta Ave, Akron, OH, 44320, United States.
Date of Creation: 2017
Publication Date Range: 2017-10-14 to 2017-10-14
Nation of First Publication: United States
Authorship on Application: Milliken Design, LLC, employer for hire; Citizenship: United States; Authorship: photographs.
Rights and Permissions: Milliken Design, LLC, 501 Vinta Ave, Akron, OH, 44320, United States
Copyright Note: Regarding title information: Depost contains complete list of titles that correspond to the individual photographs included in this group.
 Regarding group registration: A group of published photographs may be registered on one application with one filing fee only under limited circumstances. ALL of the following are required: 1. All photographs (a) were created by the same author AND (b) are owned by the same copyright claimant AND (c) were published in the same calendar year AND 2. The group contains 750 photographs or less AND 3. A sequentially numbered list of photographs containing the title, file name and month of publication for each photograph included in the group must be uploaded along with other required application materials. The list must be submitted in an approved document format such as XLS or PDF. The file name for the numbered list must contain the title of the group and the Case Number assigned to the application.
Photographs: Published in October 2017 (5 photographs): SMO-6 10 2017, SMO-7 10 2017, SMO-10 10 2017, SMO-11 10 2017, SMO-12 10 2017
Name: [Milliken Design, LLC](#)

[previous](#) [next](#)

Save, Print and Email (Help Page)
 Select Download Format [Full Record] | [Format for Print/Save]
 Enter your email address: _____ Email

[Help](#) | [Search](#) | [History](#) | [Titles](#) | [Start Over](#)

[Contact Us](#) | [Request Copies](#) | [Get a Search Estimate](#) | [Frequently Asked Questions \(FAQ\)](#) about Copyright | [Copyright Office Home Page](#) | [Library of Congress Home Page](#)