

EXHIBIT 1 TO COMPLAINT

United States of America

United States Patent and Trademark Office

PUFFIN

Reg. No. 6,836,508

Registered Sep. 06, 2022

Int. Cl.: 35

Service Mark

Principal Register

Puffin Coolers, LLC (OREGON LIMITED LIABILITY COMPANY)
213 S.W. Columbia Street
Bend, OREGON 97702

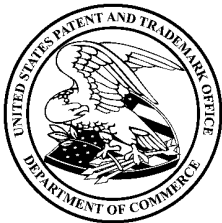
CLASS 35: online retail store services featuring insulating and protective sleeves for bottles, cans and other liquid or food containers

FIRST USE 10-00-2018; IN COMMERCE 10-00-2018

THE MARK CONSISTS OF STANDARD CHARACTERS WITHOUT CLAIM TO ANY PARTICULAR FONT STYLE, SIZE OR COLOR

OWNER OF U.S. REG. NO. 5878014

SER. NO. 90-607,973, FILED 03-28-2021



Katherine Kelly Vidal

Director of the United States
Patent and Trademark Office



REQUIREMENTS TO MAINTAIN YOUR FEDERAL TRADEMARK REGISTRATION

WARNING: YOUR REGISTRATION WILL BE CANCELLED IF YOU DO NOT FILE THE DOCUMENTS BELOW DURING THE SPECIFIED TIME PERIODS.

Requirements in the First Ten Years*

What and When to File:

- **First Filing Deadline:** You must file a Declaration of Use (or Excusable Nonuse) between the 5th and 6th years after the registration date. See 15 U.S.C. §§1058, 1141k. If the declaration is accepted, the registration will continue in force for the remainder of the ten-year period, calculated from the registration date, unless cancelled by an order of the Commissioner for Trademarks or a federal court.
- **Second Filing Deadline:** You must file a Declaration of Use (or Excusable Nonuse) and an Application for Renewal between the 9th and 10th years after the registration date.* See 15 U.S.C. §1059.

Requirements in Successive Ten-Year Periods*

What and When to File:

- You must file a Declaration of Use (or Excusable Nonuse) and an Application for Renewal between every 9th and 10th-year period, calculated from the registration date.*

Grace Period Filings*

The above documents will be accepted as timely if filed within six months after the deadlines listed above with the payment of an additional fee.

***ATTENTION MADRID PROTOCOL REGISTRANTS:** The holder of an international registration with an extension of protection to the United States under the Madrid Protocol must timely file the Declarations of Use (or Excusable Nonuse) referenced above directly with the United States Patent and Trademark Office (USPTO). The time periods for filing are based on the U.S. registration date (not the international registration date). The deadlines and grace periods for the Declarations of Use (or Excusable Nonuse) are identical to those for nationally issued registrations. See 15 U.S.C. §§1058, 1141k. However, owners of international registrations do not file renewal applications at the USPTO. Instead, the holder must file a renewal of the underlying international registration at the International Bureau of the World Intellectual Property Organization, under Article 7 of the Madrid Protocol, before the expiration of each ten-year term of protection, calculated from the date of the international registration. See 15 U.S.C. §1141j. For more information and renewal forms for the international registration, see <http://www.wipo.int/madrid/en/>.

NOTE: Fees and requirements for maintaining registrations are subject to change. Please check the USPTO website for further information. With the exception of renewal applications for registered extensions of protection, you can file the registration maintenance documents referenced above online at <http://www.uspto.gov>.

NOTE: A courtesy e-mail reminder of USPTO maintenance filing deadlines will be sent to trademark owners/holders who authorize e-mail communication and maintain a current e-mail address with the USPTO. To ensure that e-mail is authorized and your address is current, please use the Trademark Electronic Application System (TEAS) Correspondence Address and Change of Owner Address Forms available at <http://www.uspto.gov>.

United States of America

United States Patent and Trademark Office

FUN. TOGETHER.

Reg. No. 6,575,416

Registered Nov. 30, 2021

Int. Cl.: 21

Trademark

Principal Register

Puffin Coolers, LLC (OREGON LIMITED LIABILITY COMPANY)

#276

2843 N.W. Lolo Drive

Bend, OREGON 97703

CLASS 21: Insulating and protective sleeves for bottles, cans and other liquid or food containers

FIRST USE 00-00-2019; IN COMMERCE 00-00-2019

THE MARK CONSISTS OF STANDARD CHARACTERS WITHOUT CLAIM TO ANY PARTICULAR FONT STYLE, SIZE OR COLOR

SER. NO. 90-484,182, FILED 01-23-2021



Performing the Functions and Duties of the
Under Secretary of Commerce for Intellectual Property and
Director of the United States Patent and Trademark Office



REQUIREMENTS TO MAINTAIN YOUR FEDERAL TRADEMARK REGISTRATION

WARNING: YOUR REGISTRATION WILL BE CANCELLED IF YOU DO NOT FILE THE DOCUMENTS BELOW DURING THE SPECIFIED TIME PERIODS.

Requirements in the First Ten Years*

What and When to File:

- **First Filing Deadline:** You must file a Declaration of Use (or Excusable Nonuse) between the 5th and 6th years after the registration date. See 15 U.S.C. §§1058, 1141k. If the declaration is accepted, the registration will continue in force for the remainder of the ten-year period, calculated from the registration date, unless cancelled by an order of the Commissioner for Trademarks or a federal court.
- **Second Filing Deadline:** You must file a Declaration of Use (or Excusable Nonuse) and an Application for Renewal between the 9th and 10th years after the registration date.* See 15 U.S.C. §1059.

Requirements in Successive Ten-Year Periods*

What and When to File:

- You must file a Declaration of Use (or Excusable Nonuse) and an Application for Renewal between every 9th and 10th-year period, calculated from the registration date.*

Grace Period Filings*

The above documents will be accepted as timely if filed within six months after the deadlines listed above with the payment of an additional fee.

***ATTENTION MADRID PROTOCOL REGISTRANTS:** The holder of an international registration with an extension of protection to the United States under the Madrid Protocol must timely file the Declarations of Use (or Excusable Nonuse) referenced above directly with the United States Patent and Trademark Office (USPTO). The time periods for filing are based on the U.S. registration date (not the international registration date). The deadlines and grace periods for the Declarations of Use (or Excusable Nonuse) are identical to those for nationally issued registrations. See 15 U.S.C. §§1058, 1141k. However, owners of international registrations do not file renewal applications at the USPTO. Instead, the holder must file a renewal of the underlying international registration at the International Bureau of the World Intellectual Property Organization, under Article 7 of the Madrid Protocol, before the expiration of each ten-year term of protection, calculated from the date of the international registration. See 15 U.S.C. §1141j. For more information and renewal forms for the international registration, see <http://www.wipo.int/madrid/en/>.

NOTE: Fees and requirements for maintaining registrations are subject to change. Please check the USPTO website for further information. With the exception of renewal applications for registered extensions of protection, you can file the registration maintenance documents referenced above online at <http://www.uspto.gov>.

NOTE: A courtesy e-mail reminder of USPTO maintenance filing deadlines will be sent to trademark owners/holders who authorize e-mail communication and maintain a current e-mail address with the USPTO. To ensure that e-mail is authorized and your address is current, please use the Trademark Electronic Application System (TEAS) Correspondence Address and Change of Owner Address Forms available at <http://www.uspto.gov>.

Registration #: VA0002314760
Service Request #: 1-11603239761

Mail Certificate

Puffin Coolers, LLC
Tyrone Hazen
213 S.W. Columbia Street
Bend, OR 97702 United States

Priority: Special Handling

Application Date: August 12, 2022

Correspondent

Organization Name: Puffin Coolers, LLC
Name: Tyrone Hazen
Email: elfcopyrighthelper@gmail.com
Address: 213 S.W. Columbia Street
Bend, OR 97702 United States

Registration Number
VA 2-314-760

Effective Date of Registration:
August 12, 2022

Registration Decision Date:
August 22, 2022

Copyright Registration for a Group of Published Photographs

Registration issued pursuant to 37 C.F.R. § 202.4(i)

For Photographs Published: January 01, 2021 to October 01, 2021

Title

Title of Group: Puffin Product Pictures 2021
Number of Photographs in Group: 94

- **Individual Photographs:** PUF-1,
PUF-2,
PUF-3,
PUF-4,
PUF-5,
PUF-6,
PUF-7,
PUF-8,
PUF-9,
PUF-10,
PUF-11,
PUF-12,
PUF-13,
PUF-14,
PUF-15,
PUF-16,
PUF-17,
PUF-18,
PUF-19,
PUF-20,
PUF-21,
PUF-22,
PUF-25,
PUF-26,
PUF-27,
PUF-28,
PUF-29,
PUF-30

Published: January 2021

- **Individual Photographs:** PUF-85
Published: February 2021

- **Individual Photographs:** PUF-68,
PUF-87,
PUF-89
Published: March 2021
- **Individual Photographs:** PUF-84,
PUF-86
Published: May 2021
- **Individual Photographs:** PUF-23,
PUF-24,
PUF-38,
PUF-41,
PUF-42,
PUF-43,
PUF-44,
PUF-45,
PUF-46,
PUF-47,
PUF-48,
PUF-49,
PUF-50,
PUF-61,
PUF-62,
PUF-72,
PUF-73,
PUF-74,
PUF-79,
PUF-80,
PUF-88,
PUF-95
Published: June 2021
- **Individual Photographs:** PUF-53,
PUF-54,
PUF-63,
PUF-64,
PUF-83,
PUF-90,
PUF-96
Published: July 2021
- **Individual Photographs:** PUF-31,
PUF-32,
PUF-33,
PUF-34,
PUF-35,
PUF-36,
PUF-37,
PUF-39,
PUF-40,
PUF-51,
PUF-52,
PUF-55
Published: August 2021
- **Individual Photographs:** PUF-60,

PUF-66,
PUF-67,
PUF-69,
PUF-70,
PUF-71,
PUF-75,
PUF-76,
PUF-77,
PUF-78,
PUF-81

Published: September 2021

- **Individual Photographs:** PUF-56,
PUF-57,
PUF-58,
PUF-59,
PUF-91,
PUF-92,
PUF-93,
PUF-94

Published: October 2021

Completion/Publication

Year of Completion: 2021
Earliest Publication Date in Group: January 01, 2021
Latest Publication Date in Group: October 01, 2021
Nation of First Publication: United States

Author

- **Author:** Puffin Coolers, LLC
Author Created: photographs
Work made for hire: Yes
Citizen of: United States

Copyright Claimant

Copyright Claimant: Puffin Coolers, LLC
213 S.W. Columbia Street, Bend, OR, 97702, United States

Rights and Permissions

Organization Name: Puffin Coolers, LLC
Address: 213 S.W. Columbia Street
Bend, OR 97702 United States

Certification

Name: Jessica Delos Santos
Date: August 12, 2022

Correspondence: Yes
Copyright Office notes: Regarding title information: Deposit contains complete list of titles that correspond to the individual photographs included in this group.

Regarding group registration: A group of published photographs may be registered on one application with one filing fee only under limited circumstances. ALL of the following are required: 1. All photographs (a) were created by the same author AND (b) are owned by the same copyright claimant AND (c) were published in the same calendar year AND 2. The group contains 750 photographs or less AND 3. A sequentially numbered list of photographs containing the title, file name and month of publication for each photograph included in the group must be uploaded along with other required application materials. The list must be submitted in an approved document format such as .XLS or .PDF. The file name for the numbered list must contain the title of the group and the Case Number assigned to the application.

Regarding publication: Applicant stated in correspondence that the earliest and latest publication dates are estimated dates.

Registration #: TXu002329856
Service Request #: 1-11603486239

Mail Certificate

Puffin Coolers, LLC
Tyrone Hazen
213 S.W. Columbia Street
Bend, OR 97702 United States

Priority: Special Handling

Application Date: August 12, 2022

Correspondent

Organization Name: Puffin Coolers, LLC
Name: Tyrone Hazen
Email: elfcopyrighthelper@gmail.com
Address: 213 S.W. Columbia Street
Bend, OR 97702 United States

Registration Number

TXu 2-329-856

Effective Date of Registration:

August 12, 2022

Registration Decision Date:

August 15, 2022

Title _____

Title of Work: Puffin Beverage Jacket

Completion/Publication _____

Year of Completion: 2021

Author _____

- **Author:** Puffin Coolers, LLC
- Author Created:** text
- Work made for hire:** Yes
- Citizen of:** United States

Copyright Claimant _____

Copyright Claimant: Puffin Coolers, LLC
213 S.W. Columbia Street, Bend, OR, 97702, United States

Rights and Permissions _____

Organization Name: Puffin Coolers, LLC
Address: 213 S.W. Columbia Street
Bend, OR 97702 United States

Certification _____

Name: Jessica Delos Santos
Date: August 12, 2022

Correspondence: Yes

Product Description

Puffin Beverage Jacket - <https://www.amazon.com/dp/B09L14ZPGV?keywords=Puffin&m=A1U38W0A47IEKC&psc=1>

- **KEEPS DRINKS COLD:** Lovers of cold beverages, rejoice! Two layers of thermal insulation in this can cooler ensure your last sip's as cold as the first.
- **FITS 12 OZ CANS & BOTTLES:** Beer, soda, or bubbly water—no matter what you're drinking, Puffin's got your bevies covered.
- **THE COOLEST GIFT:** Show your loved ones you care about their beverages. If you know someone who likes a cold drink, Puffin drinkwear is the perfect choice.
- **FASHIONABLE:** you deserve a cold beverage and your drink deserves to look cool. With several colors to choose from, you and your drink might even find a matching combo. Talk about a power couple.
- **INSPIRES FUN TOGETHER:** People love dressing up their beverages in cute outfits. Bonus points if you match.

Images	Filename	Registration no.
	PUF -1	VA 2-314-760
	PUF -2	VA 2-314-760



PUF-3

VA 2-314-760



PUF-4

VA 2-314-760



PUF-5

VA 2-314-760



PUF-6

VA 2-314-760

 A pink quilted jacket with a teal zipper and two side pockets, displayed on a mannequin torso.	PUF-7	VA 2-314-760
 A camouflage quilted jacket with a teal zipper and two side pockets, displayed on a mannequin torso.	PUF-8	VA 2-314-760



PUF-9

VA 2-314-760



PUF-10

VA 2-314-760



PUF-11

VA 2-314-760



PUF-12

VA 2-314-760



PUF-13

VA 2-314-760



PUF-14

VA 2-314-760

 A pink quilted vest with a teal zipper and two side pockets, displayed on a mannequin torso against a white background.	PUF-15	VA 2-314-760
 A camouflage quilted vest with a teal zipper and two side pockets, displayed on a mannequin torso against a white background.	PUF-16	VA 2-314-760



PUF-17

VA 2-314-760



PUF-18

VA 2-314-760



PUF-19

VA 2-314-760



PUF-20

VA 2-314-760

 <p>A teal-colored quilted puffer jacket with a fur-lined hood, displayed on a mannequin. The jacket features a front zipper placket, two side pockets, and a small tag on the lower left side with the word 'PUFFIN' printed vertically.</p>	PUF-21	VA 2-314-760
 <p>A pink-colored quilted puffer jacket with a fur-lined hood, displayed on a mannequin. The jacket features a front zipper placket, two side pockets, and a small tag on the lower left side with the word 'PUFFIN' printed vertically.</p>	PUF-22	VA 2-314-760



PUF-23

VA 2-314-760



PUF-24

VA 2-314-760



PUF-25

VA 2-314-760



PUF-26

VA 2-314-760



PUF-27

VA 2-314-760



PUF-28

VA 2-314-760

 <p>A child's sweater with a winter scene featuring a red bus, trees, and mountains. The sweater is primarily cream-colored with blue and orange accents. It has a blue ribbed collar and cuffs. The design includes a red bus with a white roof, blue evergreen trees, and brown mountains under a blue sky with a red sun. The sweater is displayed on a white mannequin torso against a white background.</p>	PUF-29	VA 2-314-760
 <p>A child's sweater with a winter scene featuring a white reindeer, trees, and mountains. The sweater is primarily dark blue with white and light blue accents. It has a dark blue ribbed collar and cuffs. The design includes a white reindeer, light blue evergreen trees, and white mountains under a dark blue sky with white stars. The sweater is displayed on a white mannequin torso against a white background.</p>	PUF-30	VA 2-314-760

	PUF-31	VA 2-314-760
	PUF-32	VA 2-314-760

	PUF-33	VA 2-314-760
	PUF-34	VA 2-314-760



PUF-35

VA 2-314-760



PUF-36

VA 2-314-760



PUF-37

VA 2-314-760



PUF-38

VA 2-314-760



PUF-39

VA 2-314-760



PUF-40

VA 2-314-760



PUF-41

VA 2-314-760



PUF-42

VA 2-314-760



PUF-43

VA 2-314-760



PUF-44

VA 2-314-760



PUF-45

VA 2-314-760



PUF-46

VA 2-314-760



PUF-47

VA 2-314-760



PUF-48

VA 2-314-760



PUF-49

VA 2-314-760



PUF-50

VA 2-314-760



PUF-51

VA 2-314-760



PUF-52

VA 2-314-760



PUF-53

VA 2-314-760



PUF-54

VA 2-314-760



PUF-55

VA 2-314-760



PUF-56

VA 2-314-760



PUF-57

VA 2-314-760



PUF-58

VA 2-314-760



PUF-59

VA 2-314-760



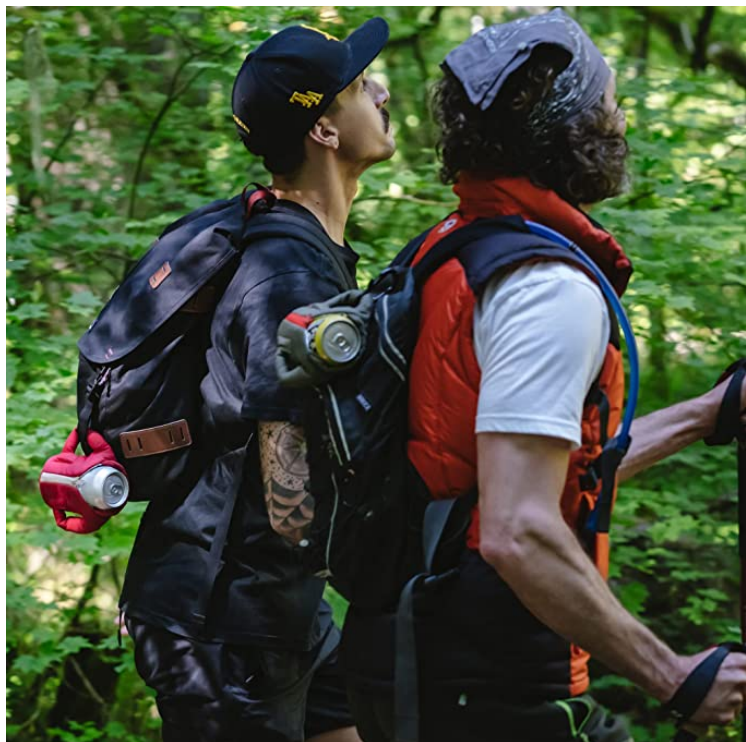
PUF-60

VA 2-314-760



PUF-61

VA 2-314-760



PUF-62

VA 2-314-760



PUF-63

VA 2-314-760



PUF-64

VA 2-314-760



PUF-66

VA 2-314-760



PUF-67

VA 2-314-760



PUF-68

VA 2-314-760



PUF-69

VA 2-314-760



PUF-70

VA 2-314-760



PUF-71

VA 2-314-760



PUF-72

VA 2-314-760



PUF-73

VA 2-314-760



PUF-74

VA 2-314-760



PUF-75

VA 2-314-760



PUF-76

VA 2-314-760



PUF-77

VA 2-314-760



PUF-78

VA 2-314-760



PUF-79

VA 2-314-760



PUF-80

VA 2-314-760



PUF-81

VA 2-314-760



PUF-83

VA 2-314-760



PUF-84

VA 2-314-760



PUF-85

VA 2-314-760



PUF-86

VA 2-314-760



PUF-87

VA 2-314-760



PUF-88

VA 2-314-760



PUF-89

VA 2-314-760



PUF-90

VA 2-314-760



PUF-91

VA 2-314-760



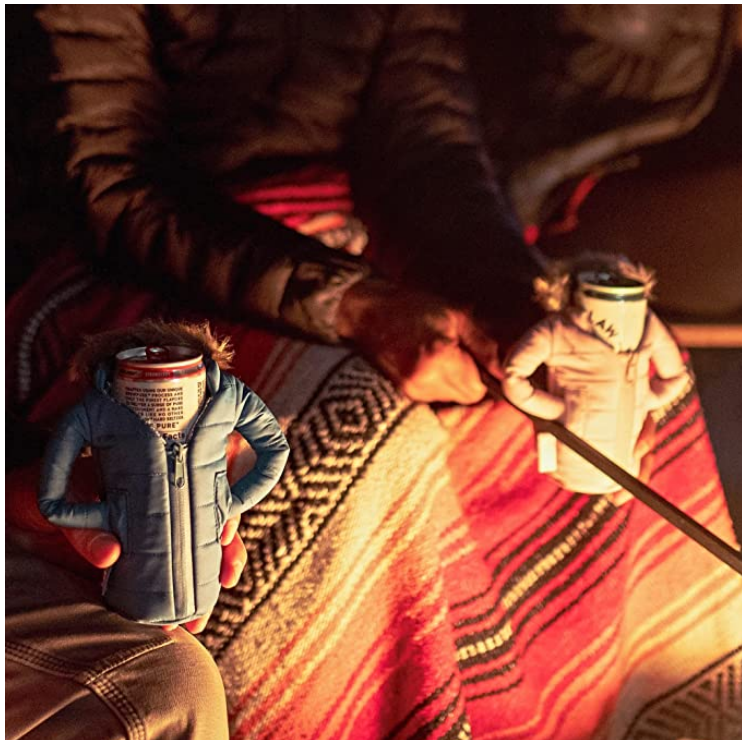
PUF-92

VA 2-314-760



PUF-93

VA 2-314-760



PUF-94

VA 2-314-760



PUF-95

VA 2-314-760



PUF-96

VA 2-314-760

<ul style="list-style-type: none">● KEEPS DRINKS COLD: Lovers of cold beverages, rejoice! Two layers of thermal insulation in this can cooler ensure your last sip's as cold as the first.● FITS 12 OZ CANS & BOTTLES: Beer, soda, or bubbly water—no matter what you're drinking, Puffin's got your bevies covered.● THE COOLEST GIFT: Show your loved ones you care about their beverages. If you know someone who likes a cold drink, Puffin drinkwear is the perfect choice.● FASHIONABLE: you deserve a cold beverage and your drink deserves to look cool. With several colors to choose from, you and your drink might even find a matching combo. Talk about a power couple.● INSPIRES FUN TOGETHER: People love dressing up their beverages in cute outfits. Bonus points if you match.	PUF Text-1	TXu 2-329-856
---	------------	---------------

Text Certificate

Registration #: TXu002329856
Service Request #: 1-11603486239

Mail Certificate

Puffin Coolers, LLC
Tyroné Hazen
213 S.W. Columbia Street
Bend, OR 97702 United States

Priority: Special Handling Application Date: August 12, 2022

Correspondent

Organization Name: Puffin Coolers, LLC
Name: Tyroné Hazen
Email: elfcopyrighthelper@gmail.com
Address: 213 S.W. Columbia Street
Bend, OR 97702 United States

Registration Number

TXu 2-329-856

Effective Date of Registration:
August 12, 2022

Registration Decision Date:
August 15, 2022

Title

Title of Work: Puffin Beverage Jacket

Completion/Publication

Year of Completion: 2021

Author

- Author: Puffin Coolers, LLC

Author Created: text
Work made for hire: Yes
Citizen of: United States

Copyright Claimant

Copyright Claimant: Puffin Coolers, LLC
213 S.W. Columbia Street, Bend, OR, 97702, United States

Rights and Permissions

Organization Name: Puffin Coolers, LLC
Address: 213 S.W. Columbia Street
Bend, OR 97702 United States

Certification

Name: Jessica Delos Santos
Date: August 12, 2022

Images Certificate

Registration Number
VA 2-314-760
Effective Date of Registration:
August 12, 2022
Registration Decision Date:
August 22, 2022

Copyright Registration for a Group of Published Photographs

Registration issued pursuant to 37 C.F.R. § 202.4(i)

For Photographs Published: January 01, 2021 to October 01, 2021

Title	
Title of Group:	Puffin Product Pictures 2021
Number of Photographs in Group:	94
• Individual Photographs:	PUF-1, PUF-2, PUF-3, PUF-4, PUF-5, PUF-6, PUF-7, PUF-8, PUF-9, PUF-10, PUF-11, PUF-12, PUF-13, PUF-14, PUF-15, PUF-16, PUF-17, PUF-18, PUF-19, PUF-20, PUF-21, PUF-22, PUF-25, PUF-26, PUF-27, PUF-28, PUF-29, PUF-30 Published: January 2021
• Individual Photographs:	PUF-85 Published: February 2021

- Individual Photographs: PUF-68,
PUF-87,
PUF-89
Published: March 2021
- Individual Photographs: PUF-84,
PUF-86
Published: May 2021
- Individual Photographs: PUF-23,
PUF-24,
PUF-38,
PUF-41,
PUF-42,
PUF-43,
PUF-44,
PUF-45,
PUF-46,
PUF-47,
PUF-48,
PUF-49,
PUF-50,
PUF-61,
PUF-62,
PUF-72,
PUF-73,
PUF-74,
PUF-79,
PUF-80,
PUF-88,
PUF-95
Published: June 2021
- Individual Photographs: PUF-53,
PUF-54,
PUF-63,
PUF-64,
PUF-83,
PUF-90,
PUF-96
Published: July 2021
- Individual Photographs: PUF-31,
PUF-32,
PUF-33,
PUF-34,
PUF-35,
PUF-36,
PUF-37,
PUF-39,
PUF-40,
PUF-51,
PUF-52,
PUF-55
Published: August 2021
- Individual Photographs: PUF-60,

PUF-66,
PUF-67,
PUF-69,
PUF-70,
PUF-71,
PUF-75,
PUF-76,
PUF-77,
PUF-78,
PUF-81

Published: September 2021

- **Individual Photographs:** PUF-56,
PUF-57,
PUF-58,
PUF-59,
PUF-91,
PUF-92,
PUF-93,
PUF-94

Published: October 2021

Completion/Publication

Year of Completion: 2021
Earliest Publication Date in Group: January 01, 2021
Latest Publication Date in Group: October 01, 2021
Nation of First Publication: United States

Author

- **Author:** Puffin Coolers, LLC
Author Created: photographs
Work made for hire: Yes
Citizen of: United States

Copyright Claimant

Copyright Claimant: Puffin Coolers, LLC
213 S.W. Columbia Street, Bend, OR, 97702, United States

Rights and Permissions

Organization Name: Puffin Coolers, LLC
Address: 213 S.W. Columbia Street
Bend, OR 97702 United States

Certification

Name: Jessica Delos Santos
Date: August 12, 2022

Correspondence: Yes
Copyright Office notes: Regarding title information: Deposit contains complete list of titles that correspond to the individual photographs included in this group.

Regarding group registration: A group of published photographs may be registered on one application with one filing fee only under limited circumstances. ALL of the following are required: 1. All photographs (a) were created by the same author AND (b) are owned by the same copyright claimant AND (c) were published in the same calendar year AND 2. The group contains 750 photographs or less AND 3. A sequentially numbered list of photographs containing the title, file name and month of publication for each photograph included in the group must be uploaded along with other required application materials. The list must be submitted in an approved document format such as .XLS or .PDF. The file name for the numbered list must contain the title of the group and the Case Number assigned to the application.

Regarding publication: Applicant stated in correspondence that the earliest and latest publication dates are estimated dates.



US00D946353S

(12) **United States Design Patent**
Hazen et al.

(10) **Patent No.:** **US D946,353 S**
(45) **Date of Patent:** **** Mar. 22, 2022**

- (54) **INSULATING SLEEVE FOR A BEVERAGE CONTAINER**
- (71) Applicant: **Puffin Coolers, LLC**, Bend, OR (US)
- (72) Inventors: **Tyrone Hugh Hazen**, Bend, OR (US);
Byron Jay Linton, Jr., Bend, OR (US);
Christina Joy Linton, Bend, OR (US)
- (73) Assignee: **PUFFIN COOLERS, LLC**, Bend, OR (US)
- (**) Term: **15 Years**
- (21) Appl. No.: **29/739,782**
- (22) Filed: **Jun. 29, 2020**
- (51) **LOC (13) Cl.** **07-07**
- (52) **U.S. Cl.**
USPC **D7/606**
- (58) **Field of Classification Search**
USPC D7/300, 301, 507, 509, 510, 511, 602,
D7/603, 605, 606, 607, 608, 619.1, 619.2,
D7/624.2, 624.3, 625, 710
CPC A47J 31/00; A47J 31/441; A47J 41/00; A47J
41/02; A47J 43/00; A47J 47/00; A47J
47/02; A47J 47/08; A47G 19/027; A47G
19/127; A47G 19/2288; A47G 19/285;
A47G 23/04; A45F 2200/00; A45F
2200/0583; B64D 11/06; B63C 9/11;
B63C 9/115; B65D 1/265; B65D 3/22;
B65D 81/3453; B65D 81/3865
See application file for complete search history.

D388,663 S	1/1998	Rausch	
D480,609 S *	10/2003	Hicks	D7/625
D481,267 S *	10/2003	Yamane	D2/831
D482,242 S *	11/2003	Yamane	D2/831
D482,243 S *	11/2003	Yamane	D2/828
D482,244 S *	11/2003	Yamane	D2/828
D482,935 S *	12/2003	Yamane	D2/741
D484,366 S *	12/2003	Yamane	D2/831
D494,423 S *	8/2004	Wright	D7/606
D497,780 S *	11/2004	Hicks	D7/624.2

(Continued)

Primary Examiner — Joseph Kukella
Assistant Examiner — Darryl J Dardenne
(74) *Attorney, Agent, or Firm* — Leber IP Law; Celia H. Leber

(57) **CLAIM**

The ornamental design for an insulating sleeve for a beverage container, as shown and described.

DESCRIPTION

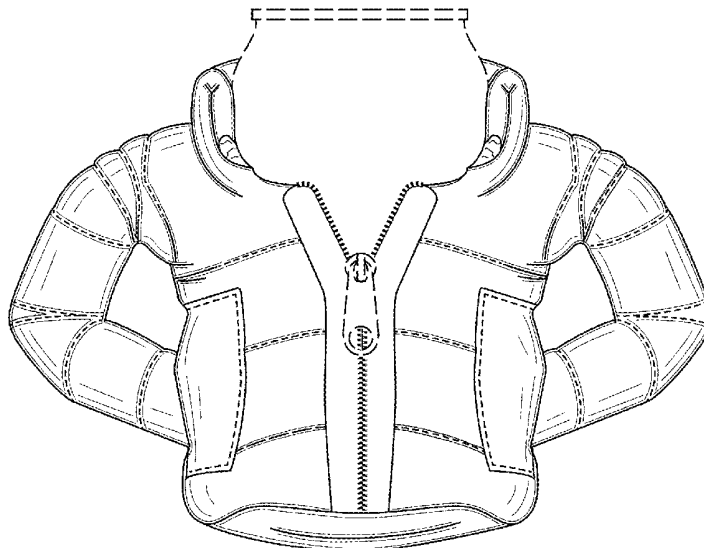
FIG. 1 is a front elevation view of a first illustrated embodiment of an insulating sleeve for a beverage container showing our new design;
FIG. 2 is a rear elevation view thereof;
FIG. 3 is a right side elevation view thereof;
FIG. 4 is a left side elevation view thereof;
FIG. 5 is a top plan view thereof; and,
FIG. 6 is a bottom plan view thereof.
The broken lines in the figures are directed to environment forming no part of the claimed design or show portions of the insulating sleeve for a beverage container that form no part of the claimed design. In the drawings the long dash broken lines depict environmental subject matter that forms no part of the claimed design; the short dash lines depict portions of the article that form no part of the claimed design.
The shade lines in the figures show contour and do not claim surface ornamentation or treatment.

(56) **References Cited**

U.S. PATENT DOCUMENTS

D290,922 S	7/1987	Herrera	
D303,150 S	8/1989	Falcon	
D335,245 S *	5/1993	Bauer	D7/608
D335,614 S	5/1993	Diab	

1 Claim, 3 Drawing Sheets



(56)

References Cited

U.S. PATENT DOCUMENTS

D499,309	S	*	12/2004	Hicks	D2/717
D505,049	S		5/2005	Ramsdale	
D505,838	S	*	6/2005	Hicks	D7/624.2
D623,022	S		9/2010	Phillips	
D651,862	S	*	1/2012	Fontana-Kwon	D7/625
D677,127	S		3/2013	Brown	
D677,995	S	*	3/2013	Chickering, II	D7/625
D688,102	S	*	8/2013	Chu	D7/606
D696,858	S	*	1/2014	Kowalsky	D3/229
D714,100	S	*	9/2014	Hiner	D7/607
D785,807	S		5/2017	Saadia	
2019/0225405	A1		7/2019	Hazen	

* cited by examiner

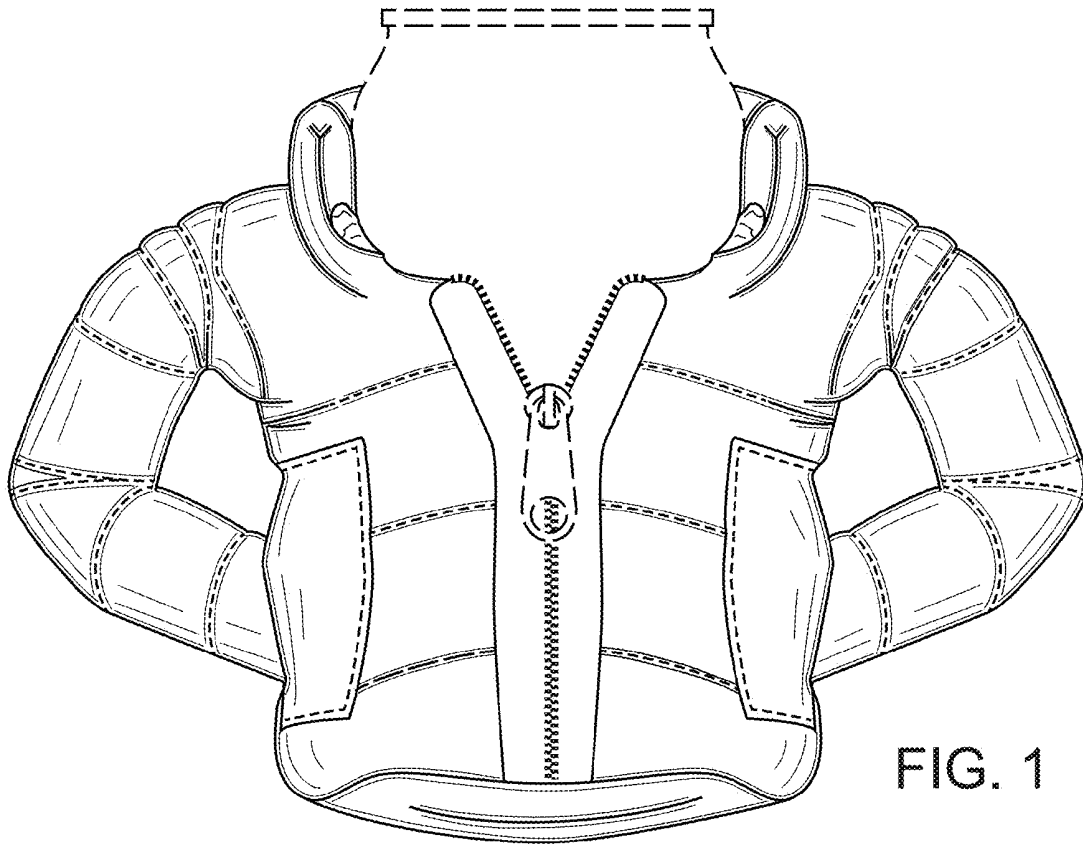


FIG. 1

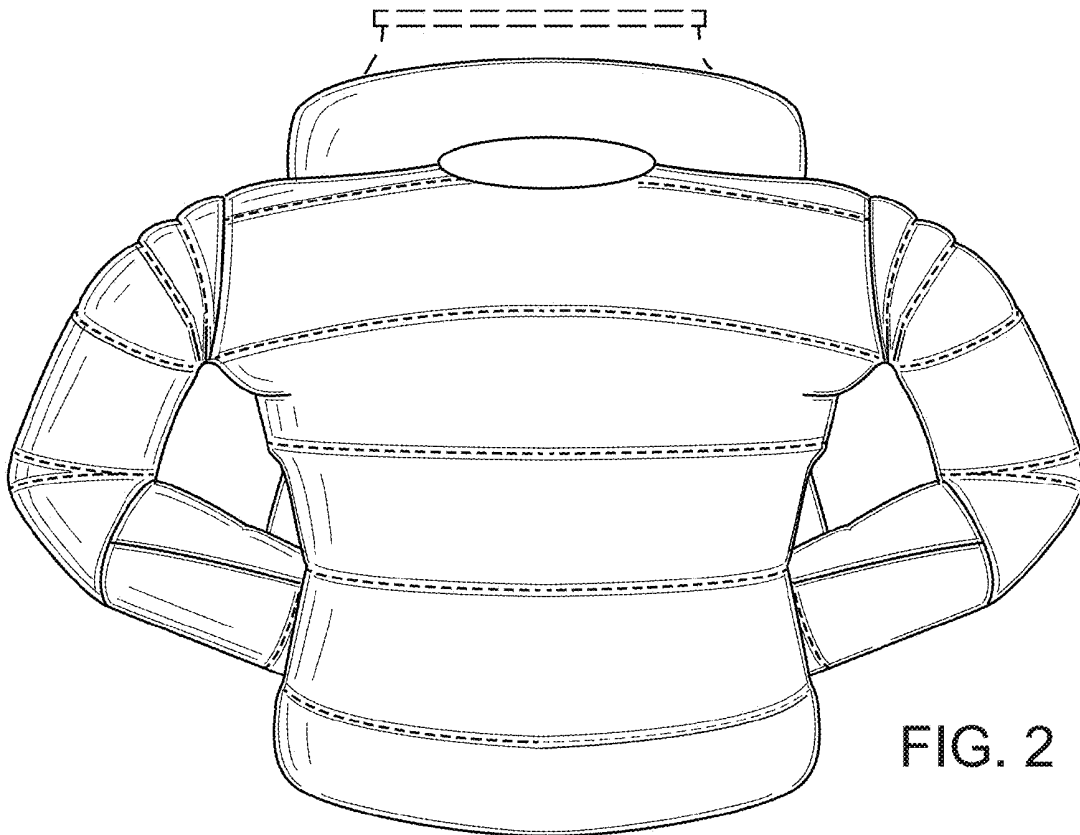


FIG. 2

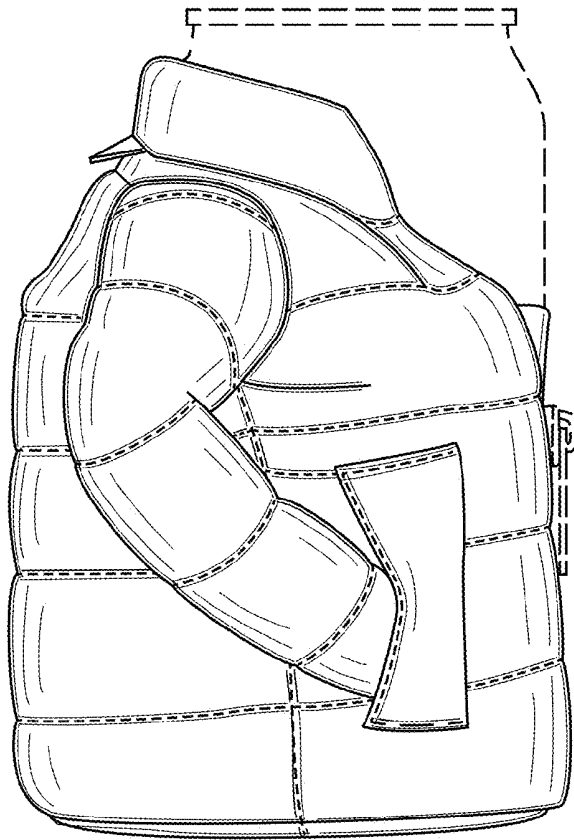


FIG. 3

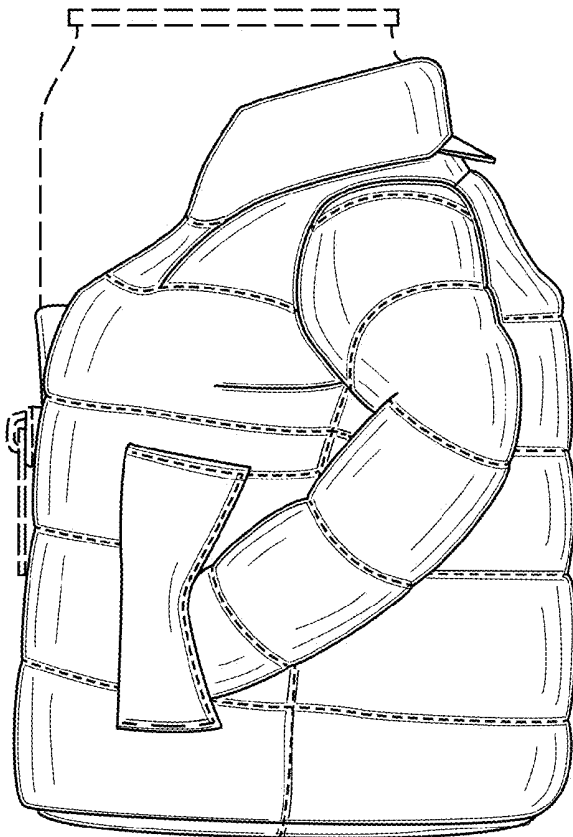


FIG. 4

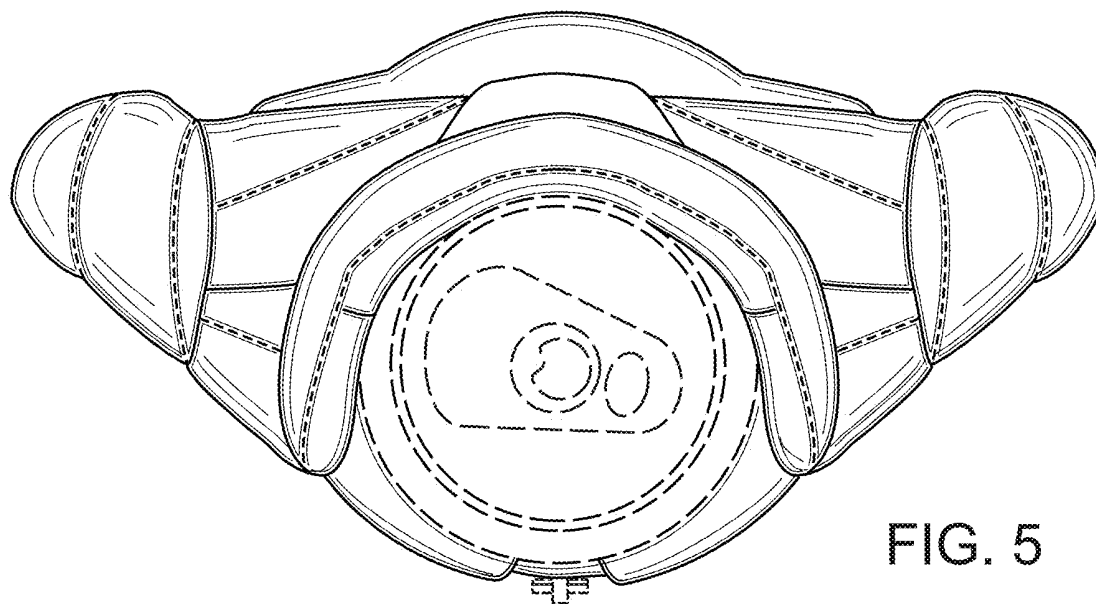


FIG. 5

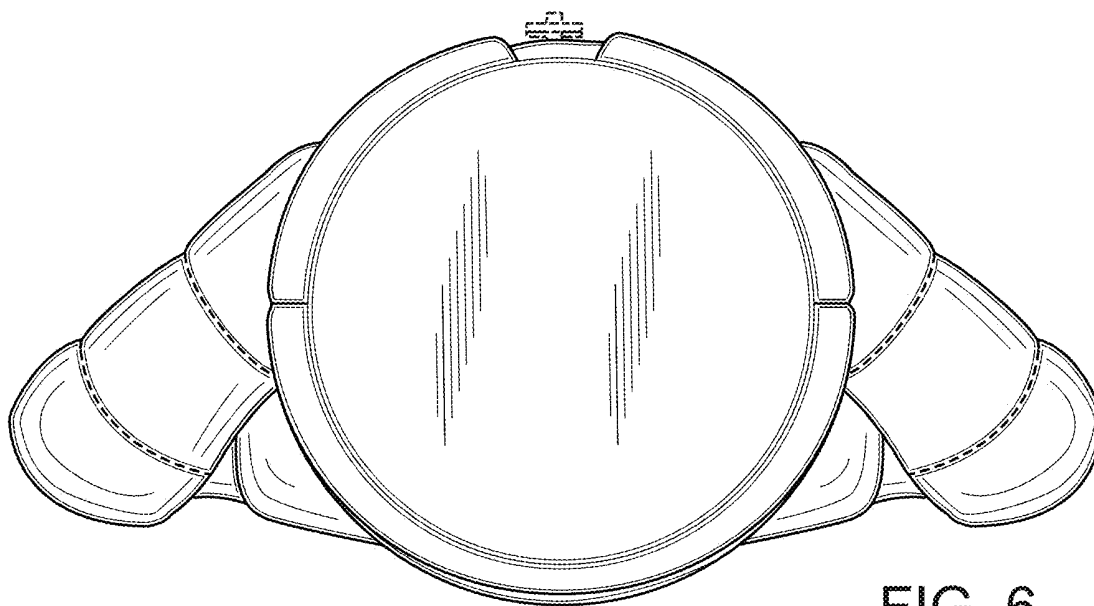


FIG. 6



US00D940509S

(12) **United States Design Patent** (10) **Patent No.:** **US D940,509 S**
Hazen et al. (45) **Date of Patent:** **** Jan. 11, 2022**

(54) **INSULATING SLEEVE FOR A BEVERAGE CONTAINER**
(71) Applicant: **Puffin Coolers, LLC**, Bend, OR (US)
(72) Inventors: **Tyrone Hugh Hazen**, Bend, OR (US);
Byron Jay Linton, Jr., Bend, OR (US);
Christina Joy Linton, Bend, OR (US)
(73) Assignee: **PUFFIN COOLERS, LLC**, Bend, OR (US)

D290,922 S * 7/1987 Herrera D21/805
D303,150 S 8/1989 Falcon
D335,245 S * 5/1993 Bauer D7/608
D335,614 S 5/1993 Diab
D388,663 S 1/1998 Rausch
D480,609 S * 10/2003 Hicks D7/625
D481,267 S * 10/2003 Yamane D2/831
D482,242 S * 11/2003 Yamane D2/831
D482,243 S * 11/2003 Yamane D2/828
D482,244 S * 11/2003 Yamane D2/828
D482,935 S * 12/2003 Yamane D2/741
D484,366 S * 12/2003 Yamane D2/831
D494,423 S * 8/2004 Wright D7/606
D497,780 S * 11/2004 Hicks D7/624.2
D499,309 S * 12/2004 Hicks D2/717
D505,049 S 5/2005 Ramsdale

(**) Term: **15 Years**

(21) Appl. No.: **29/739,785**

(22) Filed: **Jun. 29, 2020**

(51) **LOC (13) Cl.** **07-07**

(52) **U.S. Cl.**
USPC **D7/606**

(58) **Field of Classification Search**
USPC D7/300, 301, 507, 509, 510, 511, 602,
D7/603, 605, 606, 607, 608, 619.1, 619.2,
D7/624.2, 624.3, 625, 710
CPC A47J 31/00; A47J 31/441; A47J 41/00;
A47J 41/02; A47J 43/00; A47J 47/00;
A47J 47/02; A47J 47/08; A47G 19/027;
A47G 19/127; A47G 19/2288; A47G
19/285; A47G 23/04; A45F 2200/00;
A45F 2200/0583; B64D 11/06; B63C
9/11; B63C 9/115; B65D 1/265; B65D
3/22; B65D 81/3453; B65D 81/3865
See application file for complete search history.

(56) **References Cited**

U.S. PATENT DOCUMENTS

D228,811 S * 10/1973 Maxey D21/805
4,401,245 A * 8/1983 Zills B65D 81/3886
215/12.1

Primary Examiner — George D. Kirschbaum
Assistant Examiner — Darryl J Dardenne
(74) *Attorney, Agent, or Firm* — Leber IP Law; Celia H. Leber

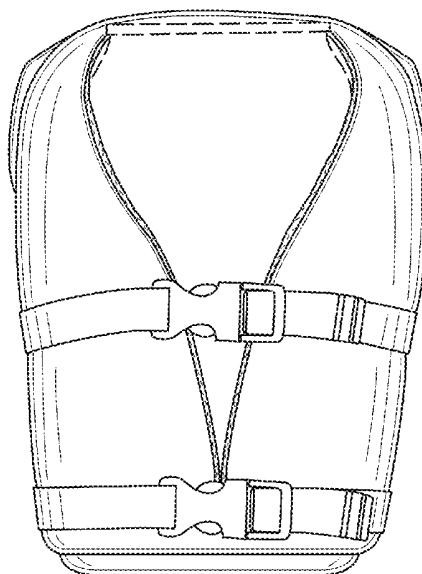
(57) **CLAIM**

The ornamental design for an insulating sleeve for a beverage container, as shown and described.

DESCRIPTION

FIG. 1 is a front elevation view of a first illustrated embodiment of an insulating sleeve for a beverage container showing our new design;
FIG. 2 is a rear elevation view thereof;
FIG. 3 is a right side elevation view thereof.
FIG. 4 is a left side elevation view thereof;
FIG. 5 is a top plan view thereof; and,
FIG. 6 is a bottom plan view thereof.
In the drawings the long dash broken lines in the drawings depict environmental subject matter that forms no part of the claimed design; the short dash lines depict portions of the article that form no part of the claimed design.

1 Claim, 3 Drawing Sheets



(56)

References Cited

U.S. PATENT DOCUMENTS

D505,838	S	*	6/2005	Hicks	D7/624.2
D623,022	S	*	9/2010	Phillips	D7/606
D651,862	S	*	1/2012	Fontana-Kwon	D7/625
D677,127	S		3/2013	Brown	
D677,995	S	*	3/2013	Chickering, II	D7/625
D688,102	S	*	8/2013	Chu	D7/606
D696,858	S	*	1/2014	Kowalsky	D3/229
D714,100	S	*	9/2014	Hiner	D7/607
D785,807	S		5/2017	Saadia	
2019/0225405	A1		7/2019	Hazen	

* cited by examiner

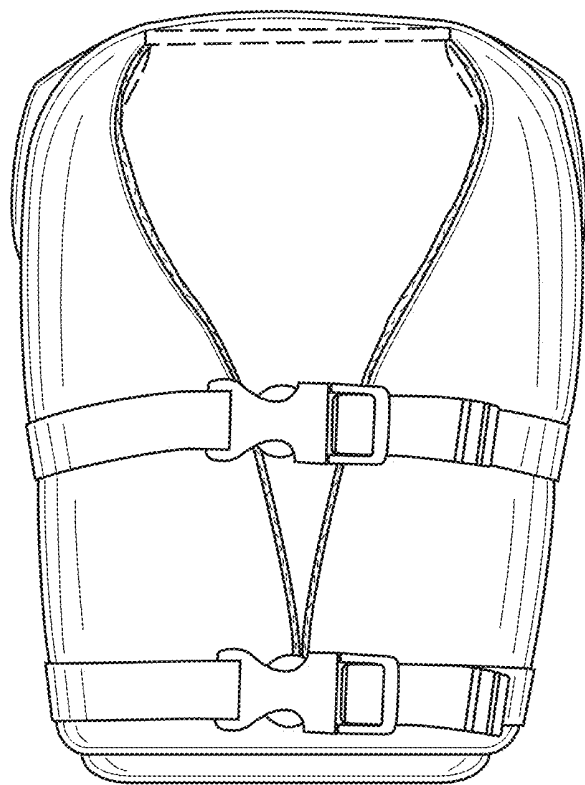


FIG. 1

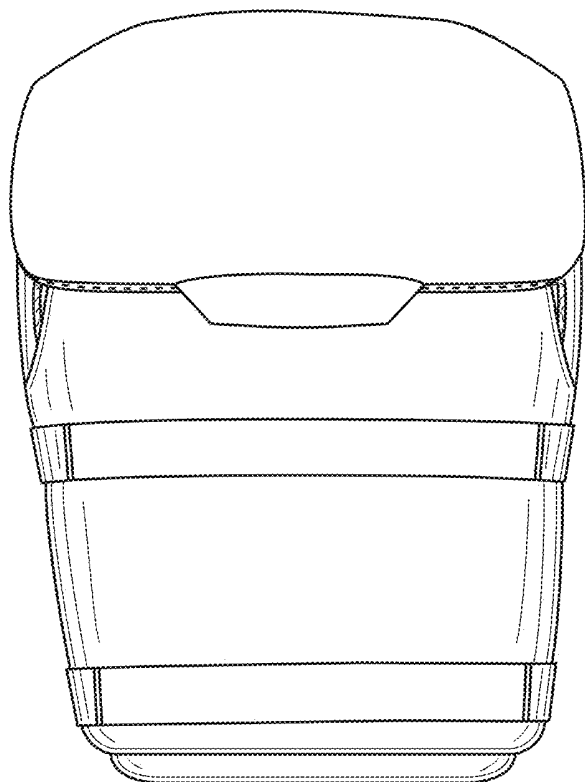


FIG. 2

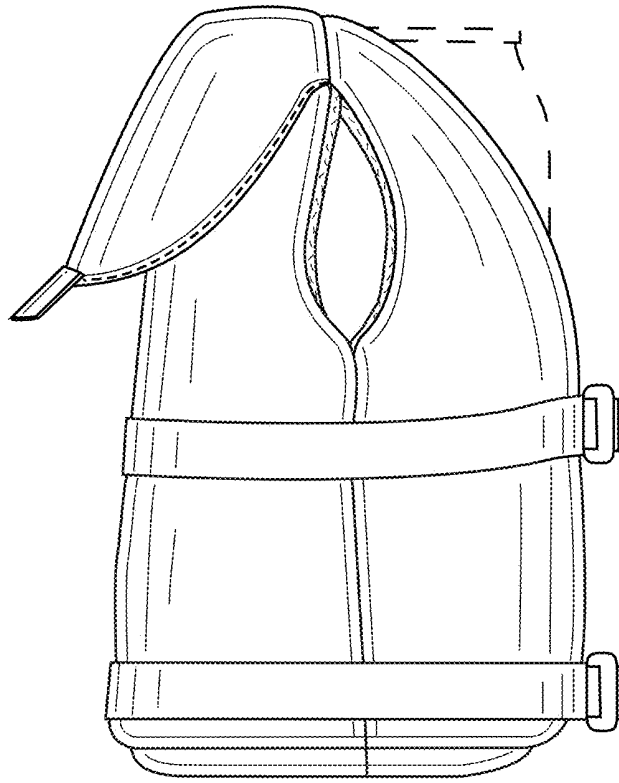


FIG. 3

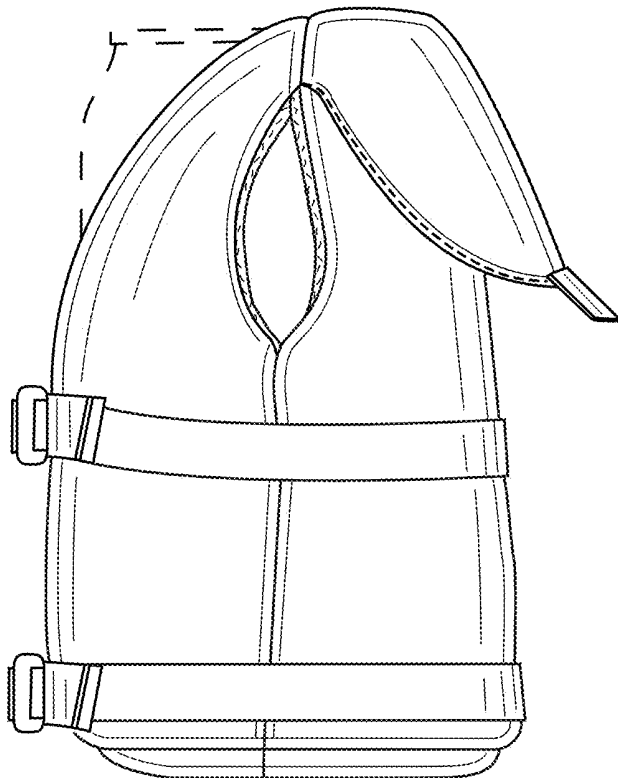


FIG. 4

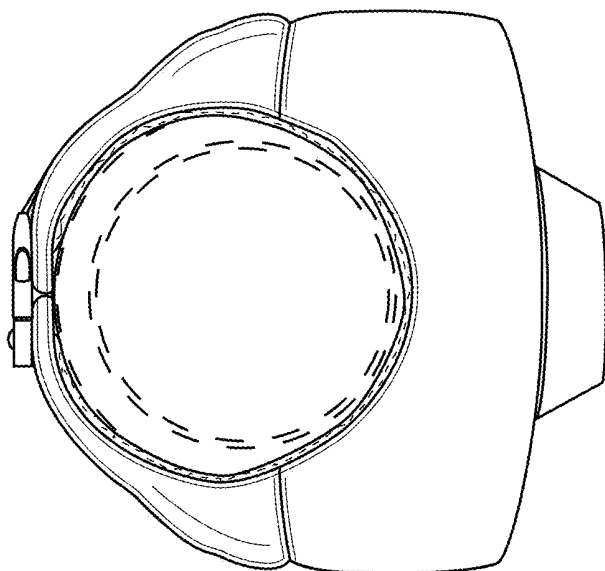


FIG. 5

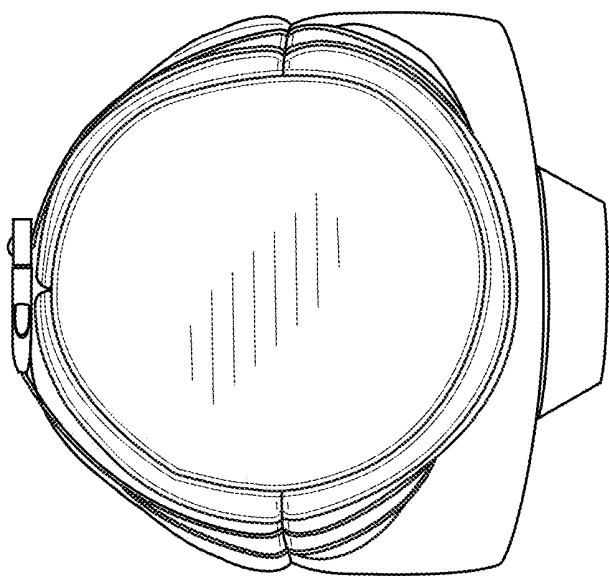


FIG. 6