

**COMPLAINT EXHIBIT 1**  
**Intellectual Property Certificates**

**Int. Cl.: 11**

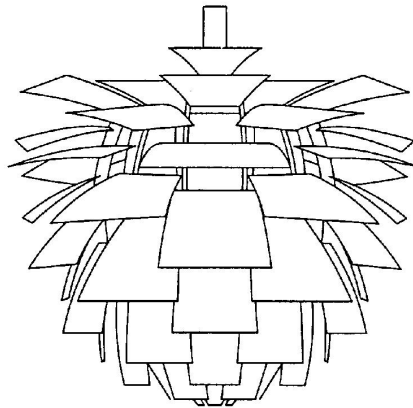
**Prior U.S. Cls.: 13, 21, 23, 31 and 34**

**Reg. No. 2,927,453**

**United States Patent and Trademark Office**

**Registered Feb. 22, 2005**

**TRADEMARK  
PRINCIPAL REGISTER**



LOUIS POULSEN LIGHTING A/S (DENMARK  
CORPORATION)  
SLUSEHOMEN 10, DK-2450  
COPENHAGEN, DENMARK

FOR: LIGHTING FIXTURES, IN CLASS 11 (U.S.  
CLS. 13, 21, 23, 31 AND 34).

FIRST USE 0-0-1987; IN COMMERCE 0-0-1987.

THE MARK COMPRISES THE STYLIZED,  
THREE-DIMENSIONAL DESIGN OF A LIGHTING  
FIXTURE RESEMBLING AN ARTICHOKE.

SEC. 2(F).

SER. NO. 76-564,122, FILED 12-8-2003.

ROBERT LORENZO, EXAMINING ATTORNEY

**Int. Cls.: 9, 11, 35, 37 and 42**

**Prior U.S. Cls.: 13, 21, 23, 26, 31, 34, 36, 38, 100, 101,  
102, 103 and 106**

**Reg. No. 3,167,046**

**United States Patent and Trademark Office**

**Registered Nov. 7, 2006**

**TRADEMARK  
SERVICE MARK  
PRINCIPAL REGISTER**

**LOUIS POULSEN**

LOUIS POULSEN LIGHTING A/S (DENMARK  
LIMITED COMPANY)  
NYHAVN 11  
DK-1001 COPENHAGEN K, DENMARK

FOR: SWITCHBOXES, ELECTRIC SWITCHES,  
BATTERIES FOR LIGHTING, ELECTRIC REMOTE  
CONTROLS FOR ELECTRICAL LIGHTING FIX-  
TURES, ELECTRIC CONDUCTORS, ELECTRIC  
RAILS FOR MOUNTING SPOT LIGHTS, SOCKETS,  
PLUGS, ELECTRIC LIGHT DIMMERS, JUNCTION  
SLEEVES FOR ELECTRIC CABLES, ELECTRIC  
JUNCTION BOXES, CONTAINERS FOR SAFE-  
KEEPING OF ELECTRIC PLUGS AND CABLES, IN  
CLASS 9 (U.S. CLS. 21, 23, 26, 36 AND 38).

FOR: LIGHTING APPARATUS AND INSTALLA-  
TIONS, NAMELY, ELECTRIC LAMPS, ELECTRIC  
LIGHT BULBS, LAMP CHIMNEYS, LAMP MAN-  
TLES, LAMP GLOBES, LAMP HANGING SUP-  
PORTS, CEILING LIGHTS, CHANDELIERS,  
LUMINOUS TUBES FOR LIGHTING, IN CLASS 11  
(U.S. CLS. 13, 21, 23, 31 AND 34).

FOR: RETAIL SERVICES, NAMELY RETAIL  
STORE SERVICES FEATURING LIGHTING FIX-  
TURES AND ELECTRIC PARTS AND ACCESSOR-

IES THEREFOR AND COMPUTERIZED ONLINE  
RETAIL SERVICES VIA GLOBAL COMPUTER NET-  
WORKS FEATURING LIGHTING FIXTURES AND  
ELECTRIC PARTS AND ACCESSORIES THERE-  
FOR, IN CLASS 35 (U.S. CLS. 100, 101 AND 102).

FOR: INSTALLATION OF LIGHTING FIXTURES,  
IN CLASS 37 (U.S. CLS. 100, 103 AND 106).

FOR: INTERIOR DECORATION CONSULTA-  
TION , IN CLASS 42 (U.S. CLS. 100 AND 101).

PRIORITY CLAIMED UNDER SEC. 44(D) ON  
DENMARK APPLICATION NO. VA200201230,  
FILED 3-22-2002, REG. NO. VR200201465, DATED 4-  
24-2002, EXPIRES 4-24-2012.

OWNER OF U.S. REG. NO. 1,590,736.

THE NAME "LOUIS POULSEN" DOES NOT IDEN-  
TIFY A LIVING INDIVIDUAL.

SER. NO. 76-411,324, FILED 5-21-2002.

SUSAN STIGLITZ, EXAMINING ATTORNEY

**Int. Cls.: 11, 35 and 42**

**Prior U.S. Cls.: 13, 21, 23, 31, 34, 100, 101 and 102**

**United States Patent and Trademark Office**

**Reg. No. 3,216,693**

**Registered Mar. 13, 2007**

**TRADEMARK  
SERVICE MARK  
PRINCIPAL REGISTER**

**louis  
poulsen**

LOUIS POULSEN LIGHTING A/S (DENMARK  
LIMITED COMPANY)

NYHAVN 11

DK-1001 COPENHAGEN K, DENMARK

FOR: (BASED ON 44(E)) LIGHTING APPARATUS  
AND INSTALLATIONS, NAMELY, ELECTRIC  
LAMPS, ELECTRIC LIGHT BULBS, LAMP CHIM-  
NEYS, LAMP MANTLES, LAMP GLOBES, LAMP  
HANGING SUPPORTS, CEILING LIGHTS, CHAN-  
DELIERS, LUMINOUS TUBES FOR LIGHTING, IN  
CLASS 11 (U.S. CLS. 13, 21, 23, 31 AND 34).

FOR: (BASED ON 44(E)) RETAIL SERVICES,  
NAMELY RETAIL STORE SERVICES FEATURING  
LIGHTING FIXTURES AND ELECTRIC PARTS  
AND ACCESSORIES THEREFORE AND COMPU-  
TERIZED ONLINE RETAIL SERVICES VIA GLO-  
BAL COMPUTER NETWORKS FEATURING  
LIGHTING FIXTURES AND ELECTRIC PARTS

AND ACCESSORIES THEREFOR, IN CLASS 35  
(U.S. CLS. 100, 101 AND 102).

FOR: (BASED ON 44(E)) INTERIOR DECORA-  
TION CONSULTATION, IN CLASS 42 (U.S. CLS. 100  
AND 101).

PRIORITY CLAIMED UNDER SEC. 44(D) ON  
DENMARK APPLICATION NO. VA200103713,  
FILED 10-3-2001, REG. NO. VR200104826, DATED  
11-28-2001, EXPIRES 11-28-2011.

OWNER OF U.S. REG. NO. 1,590,736.

THE NAME "LOUIS POULSEN" IN THE MARK  
DOES NOT IDENTIFY A LIVING INDIVIDUAL.

SER. NO. 76-391,034, FILED 4-3-2002.

SUSAN STIGLITZ, EXAMINING ATTORNEY

# United States of America

United States Patent and Trademark Office

# PH

**Reg. No. 3,910,353**

**Registered Jan. 25, 2011**

**Int. Cls.: 11, 35 and 42**

**TRADEMARK**

**SERVICE MARK**

**PRINCIPAL REGISTER**

LOUIS POULSEN LIGHTING A/S (DENMARK CORPORATION)  
GAMMEL STRAND 28  
DK-1202 KØBENHAVN K.  
DENMARK

FOR: APPARATUS FOR LIGHTING, NAMELY LIGHT FIXTURES, ELECTRIC LAMPS, ELECTRIC LIGHT BULBS, LAMP CHIMNEYS, LAMP MANTLES, LAMP GLOBES, CEILING LIGHTS, CHANDELIERS, FLUORESCENT LAMPS FOR LIGHTING, IN CLASS 11 (U.S. CLS. 13, 21, 23, 31 AND 34).

FOR: RETAIL STORE SERVICES AND ONLINE RETAIL STORE SERVICES FEATURING LIGHTING APPARATUS, IN CLASS 35 (U.S. CLS. 100, 101 AND 102).

FOR: DESIGN OF INTERIOR DECOR, IN CLASS 42 (U.S. CLS. 100 AND 101).

THE MARK CONSISTS OF STANDARD CHARACTERS WITHOUT CLAIM TO ANY PARTICULAR FONT, STYLE, SIZE, OR COLOR.

OWNER OF INTERNATIONAL REGISTRATION 0897816 DATED 7-25-2006, EXPIRES 7-25-2016.

SER. NO. 79-078,940, FILED 12-18-2009.

ALEXANDER L. POWERS, EXAMINING ATTORNEY

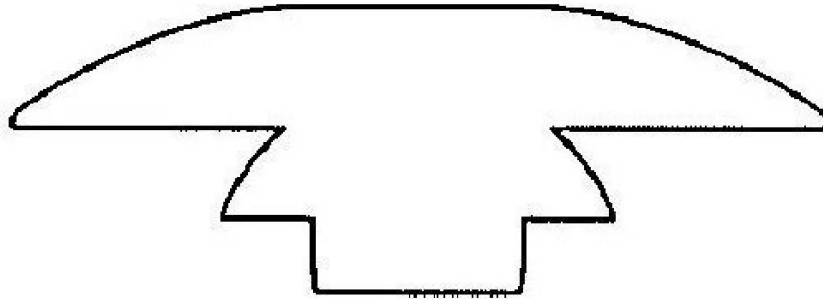


*David J. Kyffers*

Director of the United States Patent and Trademark Office

# United States of America

United States Patent and Trademark Office



**Reg. No. 4,986,351**

**Registered June 28, 2016**

**Int. Cls.: 11, 35 and 42**

**TRADEMARK**

**SERVICE MARK**

**PRINCIPAL REGISTER**

LOUIS POULSEN A/S (DENMARK LIMITED LIABILITY COMPANY)  
GAMMEL STRAND 28  
COPENHAGEN K, DENMARK 1202

FOR: LIGHTING APPARATUS, NAMELY, ELECTRICAL LIGHTING FIXTURES; ELECTRIC LIGHTING APPARATUS AND INSTALLATIONS, NAMELY, ELECTRIC LAMPS, ELECTRIC LIGHT BULBS; LAMP CHIMNEYS, LAMP MANTLES, LAMP GLOBES; ELECTRIC CEILING LIGHTS, CHANDELIERS, FLUORESCENT LAMPS FOR LIGHTING, LUMINOUS TUBES FOR LIGHTING; FITTINGS FOR HANGING LAMPS, NAMELY, LAMP HANGING SUPPORTS, IN CLASS 11 (U.S. CLS. 13, 21, 23, 31 AND 34).

FOR: RETAIL STORE SERVICES FEATURING LIGHTING FIXTURES AND ELECTRIC PARTS AND ACCESSORIES THEREFOR; AND COMPUTERIZED ONLINE RETAIL STORE SERVICES VIA GLOBAL COMPUTER NETWORKS FEATURING LIGHTING FIXTURES AND ELECTRIC PARTS AND ACCESSORIES THEREFOR, IN CLASS 35 (U.S. CLS. 100, 101 AND 102).

FOR: DESIGN OF LIGHTING AND CONSULTANCY RELATING TO INTERIOR DESIGN WITH PLANNING OF LIGHTING, BOTH INDOOR AND OUTDOOR, IN CLASS 42 (U.S. CLS. 100 AND 101).

OWNER OF DENMARK REG. NO. VR200402195, DATED 7-6-2004, EXPIRES 7-6-2024.



THE MARK CONSISTS OF AN UNINTERRUPTED MUSHROOM SHAPED OUTLINE WITH A FLAT TOP AND A STEM, HAVING BETWEEN THE BOTTOM OF THE MUSHROOM CAP AND THE BOTTOM OF THE STEM A STEP OUT FROM THE STEM ON EITHER SIDE AND AN INWARDLY SLOPING LINE, INWARD TOWARDS THE STEM AND SLOPING UPWARDS TOWARDS THE BOTTOM OF THE MUSHROOM CAP.

SER. NO. 86-541,419, FILED 2-20-2015.

STEVEN PEREZ, EXAMINING ATTORNEY

*Michelle K. Lee*

Director of the United States  
Patent and Trademark Office

**REQUIREMENTS TO MAINTAIN YOUR FEDERAL  
TRADEMARK REGISTRATION**

**WARNING: YOUR REGISTRATION WILL BE CANCELLED IF YOU DO NOT FILE THE  
DOCUMENTS BELOW DURING THE SPECIFIED TIME PERIODS.**

**Requirements in the First Ten Years\***

**What and When to File:**

***First Filing Deadline:*** You must file a Declaration of Use (or Excusable Nonuse) between the 5th and 6th years after the registration date. See 15 U.S.C. §§1058, 1141k. If the declaration is accepted, the registration will continue in force for the remainder of the ten-year period, calculated from the registration date, unless cancelled by an order of the Commissioner for Trademarks or a federal court.

***Second Filing Deadline:*** You must file a Declaration of Use (or Excusable Nonuse) **and** an Application for Renewal between the 9th and 10th years after the registration date.\* See 15 U.S.C. §1059.

**Requirements in Successive Ten-Year Periods\***

**What and When to File:**

You must file a Declaration of Use (or Excusable Nonuse) **and** an Application for Renewal between every 9th and 10th-year period, calculated from the registration date.\*

**Grace Period Filings\***

The above documents will be accepted as timely if filed within six months after the deadlines listed above with the payment of an additional fee.

**\*ATTENTION MADRID PROTOCOL REGISTRANTS:** The holder of an international registration with an extension of protection to the United States under the Madrid Protocol must timely file the Declarations of Use (or Excusable Nonuse) referenced above directly with the United States Patent and Trademark Office (USPTO). The time periods for filing are based on the U.S. registration date (not the international registration date). The deadlines and grace periods for the Declarations of Use (or Excusable Nonuse) are identical to those for nationally issued registrations. See 15 U.S.C. §§1058, 1141k. However, owners of international registrations do not file renewal applications at the USPTO. Instead, the holder must file a renewal of the underlying international registration at the International Bureau of the World Intellectual Property Organization, under Article 7 of the Madrid Protocol, before the expiration of each ten-year term of protection, calculated from the date of the international registration. See 15 U.S.C. §1141j. For more information and renewal forms for the international registration, see <http://www.wipo.int/madrid/en/>.

**NOTE: Fees and requirements for maintaining registrations are subject to change. Please check the USPTO website for further information. With the exception of renewal applications for registered extensions of protection, you can file the registration maintenance documents referenced above online at <http://www.uspto.gov>.**

**NOTE: A courtesy e-mail reminder of USPTO maintenance filing deadlines will be sent to trademark owners/holders who authorize e-mail communication and maintain a current e-mail address with the USPTO. To ensure that e-mail is authorized and your address is current, please use the Trademark Electronic Application System (TEAS) Correspondence Address and Change of Owner Address Forms available at <http://www.uspto.gov>.**

United States of America  
United States Patent and Trademark Office

PH5

**Reg. No. 5,445,539**

**Registered Apr. 17, 2018**

**Int. Cl.: 11, 35, 42**

**Service Mark**

**Trademark**

**Principal Register**

Louis Poulsen A/S (DENMARK PUBLIC LIMITED COMPANY)  
Gammel Strand 28  
Dk-1202 Copenhagen K  
DENMARK

CLASS 11: Apparatus for lighting, namely, electrical lighting fixtures; electric lighting apparatus and installations, namely, electric lamps, electric light bulbs; lamp glasses, lamp chimneys, lamp globes, ceiling lights, chandeliers, fluorescent tubes for lighting

CLASS 35: Advertising; business management; business administration; retail store services and online retail store services in the field of lighting fixtures

CLASS 42: Design of lighting and consultancy relating to interior decor with and planning of lighting, both interior and exterior

THE MARK CONSISTS OF STANDARD CHARACTERS WITHOUT CLAIM TO ANY PARTICULAR FONT STYLE, SIZE OR COLOR

OWNER OF U.S. REG. NO. 3243930

OWNER OF INTERNATIONAL REGISTRATION 1346958 DATED 02-10-2017,  
EXPIRES 02-10-2027

SER. NO. 79-208,613, FILED 02-10-2017



*Andrei Iancu*

Director of the United States  
Patent and Trademark Office



**REQUIREMENTS TO MAINTAIN YOUR FEDERAL TRADEMARK REGISTRATION**

**WARNING: YOUR REGISTRATION WILL BE CANCELLED IF YOU DO NOT FILE THE DOCUMENTS BELOW DURING THE SPECIFIED TIME PERIODS.**

**Requirements in the First Ten Years\***

**What and When to File:**

- **First Filing Deadline:** You must file a Declaration of Use (or Excusable Nonuse) between the 5th and 6th years after the registration date. See 15 U.S.C. §§1058, 1141k. If the declaration is accepted, the registration will continue in force for the remainder of the ten-year period, calculated from the registration date, unless cancelled by an order of the Commissioner for Trademarks or a federal court.
- **Second Filing Deadline:** You must file a Declaration of Use (or Excusable Nonuse) and an Application for Renewal between the 9th and 10th years after the registration date.\* See 15 U.S.C. §1059.

**Requirements in Successive Ten-Year Periods\***

**What and When to File:**

- You must file a Declaration of Use (or Excusable Nonuse) and an Application for Renewal between every 9th and 10th-year period, calculated from the registration date.\*

**Grace Period Filings\***

The above documents will be accepted as timely if filed within six months after the deadlines listed above with the payment of an additional fee.

**\*ATTENTION MADRID PROTOCOL REGISTRANTS:** The holder of an international registration with an extension of protection to the United States under the Madrid Protocol must timely file the Declarations of Use (or Excusable Nonuse) referenced above directly with the United States Patent and Trademark Office (USPTO). The time periods for filing are based on the U.S. registration date (not the international registration date). The deadlines and grace periods for the Declarations of Use (or Excusable Nonuse) are identical to those for nationally issued registrations. See 15 U.S.C. §§1058, 1141k. However, owners of international registrations do not file renewal applications at the USPTO. Instead, the holder must file a renewal of the underlying international registration at the International Bureau of the World Intellectual Property Organization, under Article 7 of the Madrid Protocol, before the expiration of each ten-year term of protection, calculated from the date of the international registration. See 15 U.S.C. §1141j. For more information and renewal forms for the international registration, see <http://www.wipo.int/madrid/en/>.

**NOTE: Fees and requirements for maintaining registrations are subject to change. Please check the USPTO website for further information. With the exception of renewal applications for registered extensions of protection, you can file the registration maintenance documents referenced above online at <http://www.uspto.gov>.**

**NOTE: A courtesy e-mail reminder of USPTO maintenance filing deadlines will be sent to trademark owners/holders who authorize e-mail communication and maintain a current e-mail address with the USPTO. To ensure that e-mail is authorized and your address is current, please use the Trademark Electronic Application System (TEAS) Correspondence Address and Change of Owner Address Forms available at <http://www.uspto.gov>.**

United States of America  
United States Patent and Trademark Office

QUASI

**Reg. No. 6,182,105**

**Registered Oct. 27, 2020**

**Int. Cl.: 11, 35, 42**

**Service Mark**

**Trademark**

**Principal Register**

Louis Poulsen A/S (DENMARK AKTIESELSKAB)  
Kuglegårdsvej 19  
Dk-1434 Copenhagen K.  
DENMARK

CLASS 11: Apparatus for lighting, namely, lighting fixtures, lighting installations, electrical lamps, electric light bulbs, lamp glasses, lamp chimneys, lamp globes, overhead lamps, chandeliers, luminous tubes for lighting

CLASS 35: Advertising services, business management and business administration assistance; retail services in relation to lighting articles, including retail services in relation to lighting articles via global networks, namely, retail and online retail store services featuring lighting products and installations

CLASS 42: Design of lighting and consultancy regarding design planning of indoor and outdoor lighting

THE MARK CONSISTS OF STANDARD CHARACTERS WITHOUT CLAIM TO ANY PARTICULAR FONT STYLE, SIZE OR COLOR

PRIORITY DATE OF 03-13-2019 IS CLAIMED

OWNER OF INTERNATIONAL REGISTRATION 1502116 DATED 09-10-2019,  
EXPIRES 09-10-2029

SER. NO. 79-273,534, FILED 09-10-2019



*Andrei Iancu*

Director of the United States  
Patent and Trademark Office



## REQUIREMENTS TO MAINTAIN YOUR FEDERAL TRADEMARK REGISTRATION

**WARNING: YOUR REGISTRATION WILL BE CANCELLED IF YOU DO NOT FILE THE DOCUMENTS BELOW DURING THE SPECIFIED TIME PERIODS.**

### Requirements in the First Ten Years\*

#### What and When to File:

- **First Filing Deadline:** You must file a Declaration of Use (or Excusable Nonuse) between the 5th and 6th years after the registration date. See 15 U.S.C. §§1058, 1141k. If the declaration is accepted, the registration will continue in force for the remainder of the ten-year period, calculated from the registration date, unless cancelled by an order of the Commissioner for Trademarks or a federal court.
- **Second Filing Deadline:** You must file a Declaration of Use (or Excusable Nonuse) and an Application for Renewal between the 9th and 10th years after the registration date.\* See 15 U.S.C. §1059.

### Requirements in Successive Ten-Year Periods\*

#### What and When to File:

- You must file a Declaration of Use (or Excusable Nonuse) and an Application for Renewal between every 9th and 10th-year period, calculated from the registration date.\*

### Grace Period Filings\*

The above documents will be accepted as timely if filed within six months after the deadlines listed above with the payment of an additional fee.

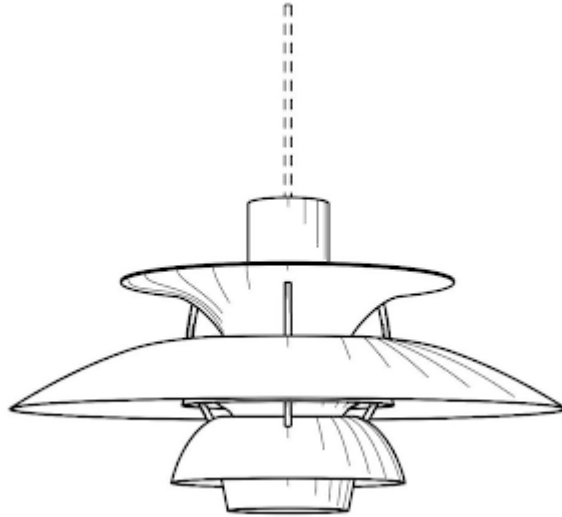
**\*ATTENTION MADRID PROTOCOL REGISTRANTS:** The holder of an international registration with an extension of protection to the United States under the Madrid Protocol must timely file the Declarations of Use (or Excusable Nonuse) referenced above directly with the United States Patent and Trademark Office (USPTO). The time periods for filing are based on the U.S. registration date (not the international registration date). The deadlines and grace periods for the Declarations of Use (or Excusable Nonuse) are identical to those for nationally issued registrations. See 15 U.S.C. §§1058, 1141k. However, owners of international registrations do not file renewal applications at the USPTO. Instead, the holder must file a renewal of the underlying international registration at the International Bureau of the World Intellectual Property Organization, under Article 7 of the Madrid Protocol, before the expiration of each ten-year term of protection, calculated from the date of the international registration. See 15 U.S.C. §1141j. For more information and renewal forms for the international registration, see <http://www.wipo.int/madrid/en/>.

**NOTE: Fees and requirements for maintaining registrations are subject to change. Please check the USPTO website for further information. With the exception of renewal applications for registered extensions of protection, you can file the registration maintenance documents referenced above online at <http://www.uspto.gov>.**

**NOTE: A courtesy e-mail reminder of USPTO maintenance filing deadlines will be sent to trademark owners/holders who authorize e-mail communication and maintain a current e-mail address with the USPTO. To ensure that e-mail is authorized and your address is current, please use the Trademark Electronic Application System (TEAS) Correspondence Address and Change of Owner Address Forms available at <http://www.uspto.gov>.**

# United States of America

## United States Patent and Trademark Office



**Reg. No. 6,703,937**

**Registered Apr. 19, 2022**

**Int. Cl.: 11**

**Trademark**

**Principal Register**

Louis Poulsen A/S (DENMARK aktieselskab (a/s) )  
Kuglegårdsvej 19  
Copenhagen, DENMARK 1434

CLASS 11: Lighting apparatus, namely, pendant lamps

FIRST USE 12-31-1958; IN COMMERCE 12-31-1987

The mark consists of a three-dimensional lamp consisting of an axisymmetric pendant with a multi-tiered design including three downward pointing shades, with the top and middle downward facing shades connected by pins, and one upward facing top point. The matter in broken lines indicates such matter is not claimed as a feature of the mark.

SEC.2(F)

SER. NO. 90-398,771, FILED 12-21-2020



*Katherine Kelly Vidal*

Director of the United States  
Patent and Trademark Office



**REQUIREMENTS TO MAINTAIN YOUR FEDERAL TRADEMARK REGISTRATION**

**WARNING: YOUR REGISTRATION WILL BE CANCELLED IF YOU DO NOT FILE THE DOCUMENTS BELOW DURING THE SPECIFIED TIME PERIODS.**

**Requirements in the First Ten Years\***

**What and When to File:**

- **First Filing Deadline:** You must file a Declaration of Use (or Excusable Nonuse) between the 5th and 6th years after the registration date. See 15 U.S.C. §§1058, 1141k. If the declaration is accepted, the registration will continue in force for the remainder of the ten-year period, calculated from the registration date, unless cancelled by an order of the Commissioner for Trademarks or a federal court.
- **Second Filing Deadline:** You must file a Declaration of Use (or Excusable Nonuse) and an Application for Renewal between the 9th and 10th years after the registration date.\* See 15 U.S.C. §1059.

**Requirements in Successive Ten-Year Periods\***

**What and When to File:**

- You must file a Declaration of Use (or Excusable Nonuse) and an Application for Renewal between every 9th and 10th-year period, calculated from the registration date.\*

**Grace Period Filings\***

The above documents will be accepted as timely if filed within six months after the deadlines listed above with the payment of an additional fee.

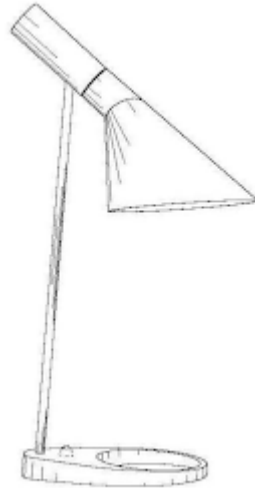
**\*ATTENTION MADRID PROTOCOL REGISTRANTS:** The holder of an international registration with an extension of protection to the United States under the Madrid Protocol must timely file the Declarations of Use (or Excusable Nonuse) referenced above directly with the United States Patent and Trademark Office (USPTO). The time periods for filing are based on the U.S. registration date (not the international registration date). The deadlines and grace periods for the Declarations of Use (or Excusable Nonuse) are identical to those for nationally issued registrations. See 15 U.S.C. §§1058, 1141k. However, owners of international registrations do not file renewal applications at the USPTO. Instead, the holder must file a renewal of the underlying international registration at the International Bureau of the World Intellectual Property Organization, under Article 7 of the Madrid Protocol, before the expiration of each ten-year term of protection, calculated from the date of the international registration. See 15 U.S.C. §1141j. For more information and renewal forms for the international registration, see <http://www.wipo.int/madrid/en/>.

**NOTE: Fees and requirements for maintaining registrations are subject to change. Please check the USPTO website for further information. With the exception of renewal applications for registered extensions of protection, you can file the registration maintenance documents referenced above online at <http://www.uspto.gov>.**

**NOTE: A courtesy e-mail reminder of USPTO maintenance filing deadlines will be sent to trademark owners/holders who authorize e-mail communication and maintain a current e-mail address with the USPTO. To ensure that e-mail is authorized and your address is current, please use the Trademark Electronic Application System (TEAS) Correspondence Address and Change of Owner Address Forms available at <http://www.uspto.gov>.**

# United States of America

United States Patent and Trademark Office



**Reg. No. 6,715,401**

**Registered May 03, 2022**

**Int. Cl.: 11**

**Trademark**

**Principal Register**

Louis Poulsen A/S (DENMARK aktieselskab (a/s) )  
Kuglegårdsvej 19  
Copenhagen, DENMARK 1434

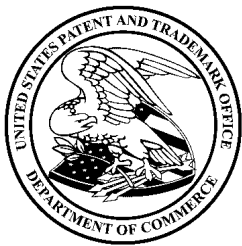
CLASS 11: Lighting apparatus, namely, table lamps

FIRST USE 12-31-1958; IN COMMERCE 12-31-1999

The mark consists of a three-dimensional lamp consisting of a rounded, oval-shaped base containing a circular cutout, attached to a post-shaped cylindrical neck, with a lamp shade attached at the top of the neck that faces downward at an angle slightly off 90-degrees, causing the lamp to lean slightly forward and comprised of a fluid combination of cylinder and cone shapes. The matter in broken lines indicates such matter is not claimed as a feature of the mark.

SEC.2(F)

SER. NO. 90-398,665, FILED 12-21-2020



*Katherine Kelly Vidal*

Director of the United States  
Patent and Trademark Office



**REQUIREMENTS TO MAINTAIN YOUR FEDERAL TRADEMARK REGISTRATION**

**WARNING: YOUR REGISTRATION WILL BE CANCELLED IF YOU DO NOT FILE THE DOCUMENTS BELOW DURING THE SPECIFIED TIME PERIODS.**

**Requirements in the First Ten Years\***

**What and When to File:**

- **First Filing Deadline:** You must file a Declaration of Use (or Excusable Nonuse) between the 5th and 6th years after the registration date. See 15 U.S.C. §§1058, 1141k. If the declaration is accepted, the registration will continue in force for the remainder of the ten-year period, calculated from the registration date, unless cancelled by an order of the Commissioner for Trademarks or a federal court.
- **Second Filing Deadline:** You must file a Declaration of Use (or Excusable Nonuse) and an Application for Renewal between the 9th and 10th years after the registration date.\* See 15 U.S.C. §1059.

**Requirements in Successive Ten-Year Periods\***

**What and When to File:**

- You must file a Declaration of Use (or Excusable Nonuse) and an Application for Renewal between every 9th and 10th-year period, calculated from the registration date.\*

**Grace Period Filings\***

The above documents will be accepted as timely if filed within six months after the deadlines listed above with the payment of an additional fee.

**\*ATTENTION MADRID PROTOCOL REGISTRANTS:** The holder of an international registration with an extension of protection to the United States under the Madrid Protocol must timely file the Declarations of Use (or Excusable Nonuse) referenced above directly with the United States Patent and Trademark Office (USPTO). The time periods for filing are based on the U.S. registration date (not the international registration date). The deadlines and grace periods for the Declarations of Use (or Excusable Nonuse) are identical to those for nationally issued registrations. See 15 U.S.C. §§1058, 1141k. However, owners of international registrations do not file renewal applications at the USPTO. Instead, the holder must file a renewal of the underlying international registration at the International Bureau of the World Intellectual Property Organization, under Article 7 of the Madrid Protocol, before the expiration of each ten-year term of protection, calculated from the date of the international registration. See 15 U.S.C. §1141j. For more information and renewal forms for the international registration, see <http://www.wipo.int/madrid/en/>.

**NOTE: Fees and requirements for maintaining registrations are subject to change. Please check the USPTO website for further information. With the exception of renewal applications for registered extensions of protection, you can file the registration maintenance documents referenced above online at <http://www.uspto.gov>.**

**NOTE: A courtesy e-mail reminder of USPTO maintenance filing deadlines will be sent to trademark owners/holders who authorize e-mail communication and maintain a current e-mail address with the USPTO. To ensure that e-mail is authorized and your address is current, please use the Trademark Electronic Application System (TEAS) Correspondence Address and Change of Owner Address Forms available at <http://www.uspto.gov>.**



US00D586496S

(12) **United States Design Patent**  
**Flindt**

(10) **Patent No.:** **US D586,496 S**

(45) **Date of Patent:** **\*\* Feb. 10, 2009**

(54) **LAMPSHADE**

(75) Inventor: **Christian Flindt**, Frederiksberg C (DK)

(73) Assignee: **Louis Poulsen Lighting A/S**,  
Kobenhavn K (DK)

(\*\*) Term: **14 Years**

(21) Appl. No.: **29/287,656**

(22) Filed: **Sep. 4, 2007**

(51) **LOC (9) Cl.** ..... **26-99**

(52) **U.S. Cl.** ..... **D26/118**

(58) **Field of Classification Search** ..... D26/152,  
D26/154, 144, 145, 146, 147, 138, 142, 143,  
D26/126, 130, 131, 136, 24, 78, 83, 88, 92,  
D26/99, 98, 104, 106, 108, 110, 111, 121,  
D26/122, 133, 128, 134, 127, 89, 94, 85,  
D26/118, 135, 81, 68, 67, 60, 61, 69, 72,  
D26/73, 79, 86, 90, 91, 93, 102, 105, 107,  
D26/112, 113, 119, 120, 123, 124, 125, 129,  
D26/137; 362/352, 353, 147, 151, 173, 186,  
362/235, 244, 241, 247, 257, 317, 329, 350,  
362/351, 355, 356, 404, 405, 410, 416, 431

See application file for complete search history.

(56) **References Cited**

**U.S. PATENT DOCUMENTS**

D89,305 S *	2/1933	Hale	.....	D26/88
2,899,543 A *	8/1959	Rasmussen	.....	362/354
2,979,606 A *	4/1961	Koehler	.....	362/291
3,211,906 A *	10/1965	Zucchi	.....	362/360
D238,295 S *	12/1975	Tongson	.....	D26/134
D243,472 S *	2/1977	Leung	.....	D26/137

D244,875 S *	6/1977	Baca	.....	D26/105
4,212,052 A *	7/1980	Chambard	.....	362/352
4,344,112 A *	8/1982	Brown	.....	362/96
4,473,866 A *	9/1984	Davis	.....	362/35
D438,327 S *	2/2001	Chelf et al.	.....	D26/80
D473,002 S *	4/2003	Hoernig	.....	D26/87
D485,006 S *	1/2004	Huang	.....	D26/118
D525,739 S *	7/2006	Wu	.....	D26/93
D532,147 S *	11/2006	Crosby	.....	D26/118

\* cited by examiner

*Primary Examiner*—Freda S. Nunn

*Assistant Examiner*—Kevin K Rudzinski

(74) *Attorney, Agent, or Firm*—Jacobson Holman PLLC

(57) **CLAIM**

The ornamental design for a lampshade, as shown and described.

**DESCRIPTION**

FIG. 1 is a top perspective view showing my new design for a lampshade,

FIG. 2 is a bottom perspective view thereof, the portion shown in dotted lines is for illustrative purposes only, forming no part of the claimed design,

FIG. 3 is a top view thereof,

FIG. 4 is a bottom view thereof, the portion shown in dotted lines is for illustrative purposes only, forming no part of the claimed design,

FIG. 5 is a left side view thereof; and,

FIG. 6 is a right side view thereof.

**1 Claim, 6 Drawing Sheets**

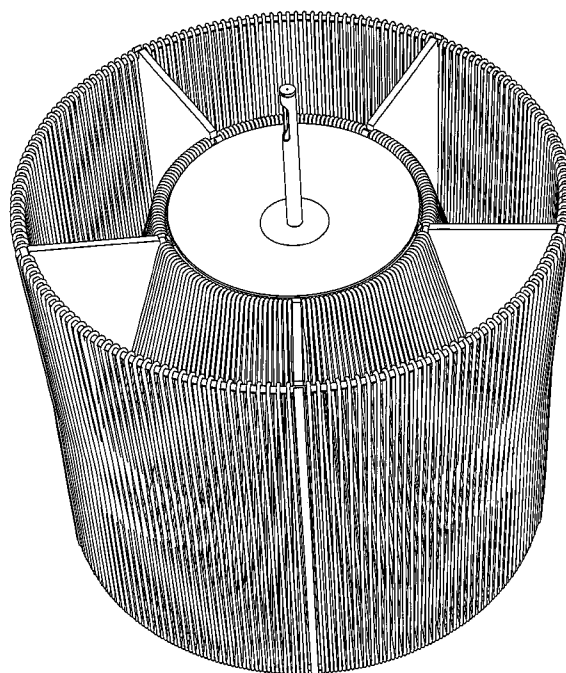




FIG. 1

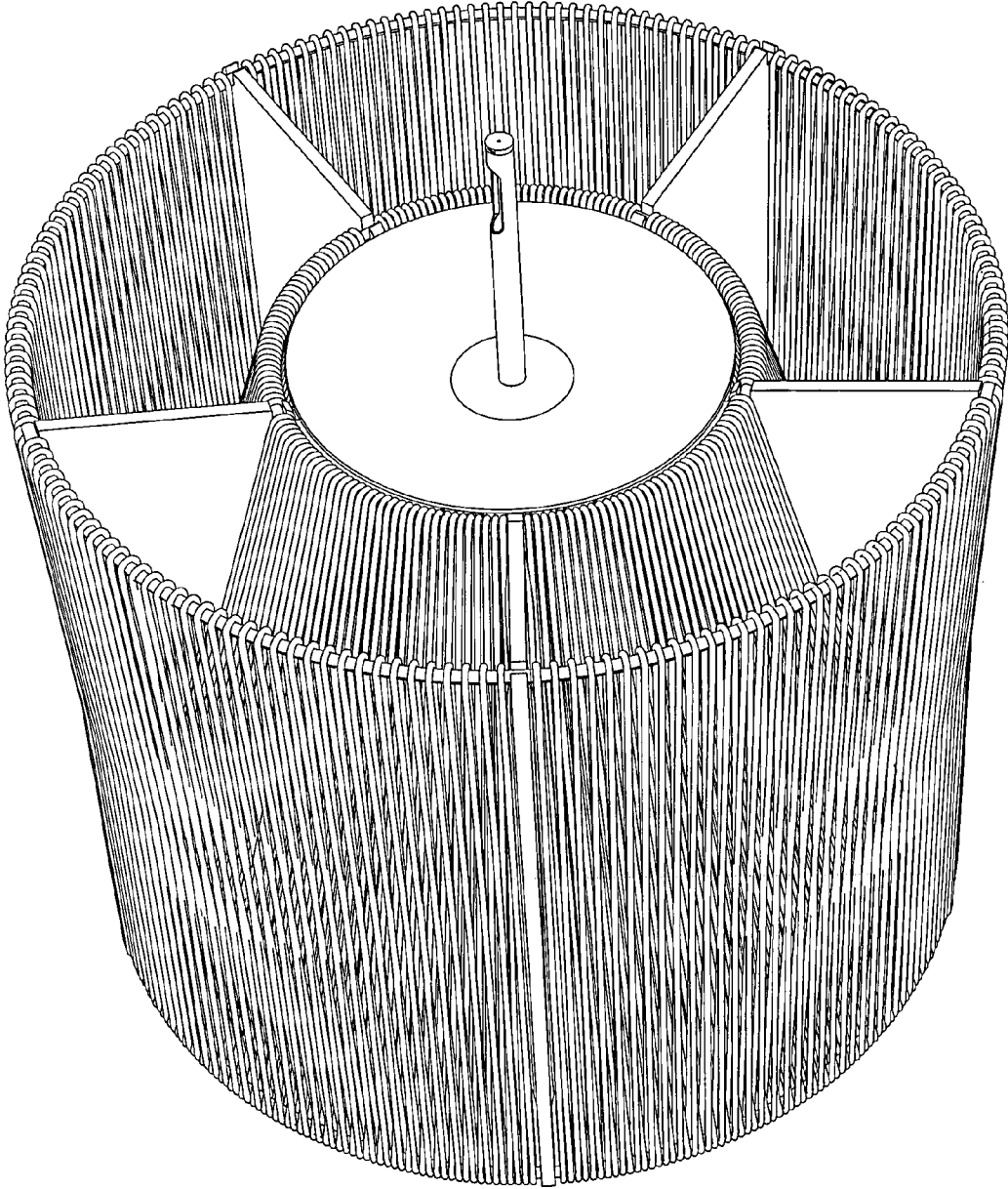


FIG. 2

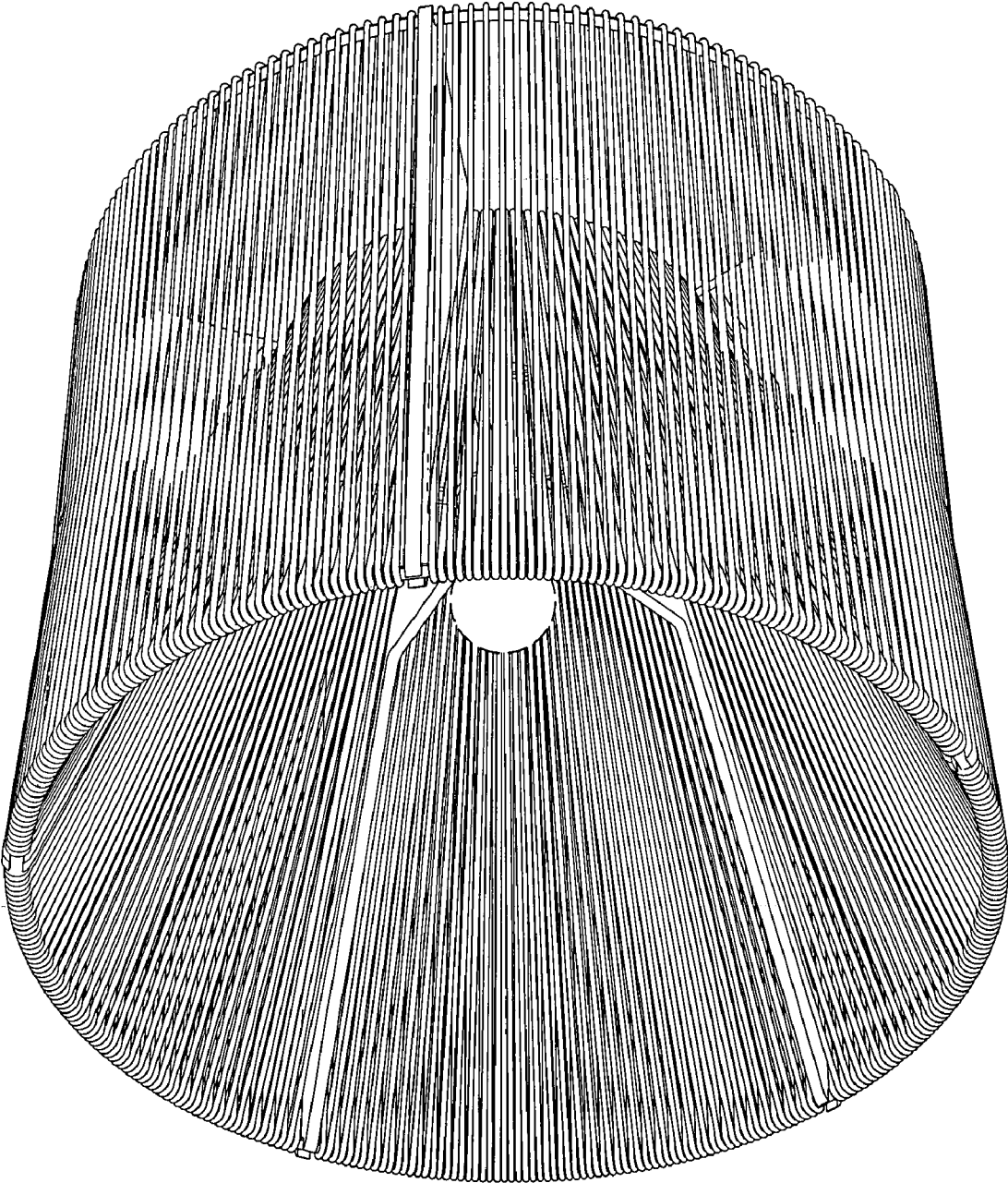


FIG. 3

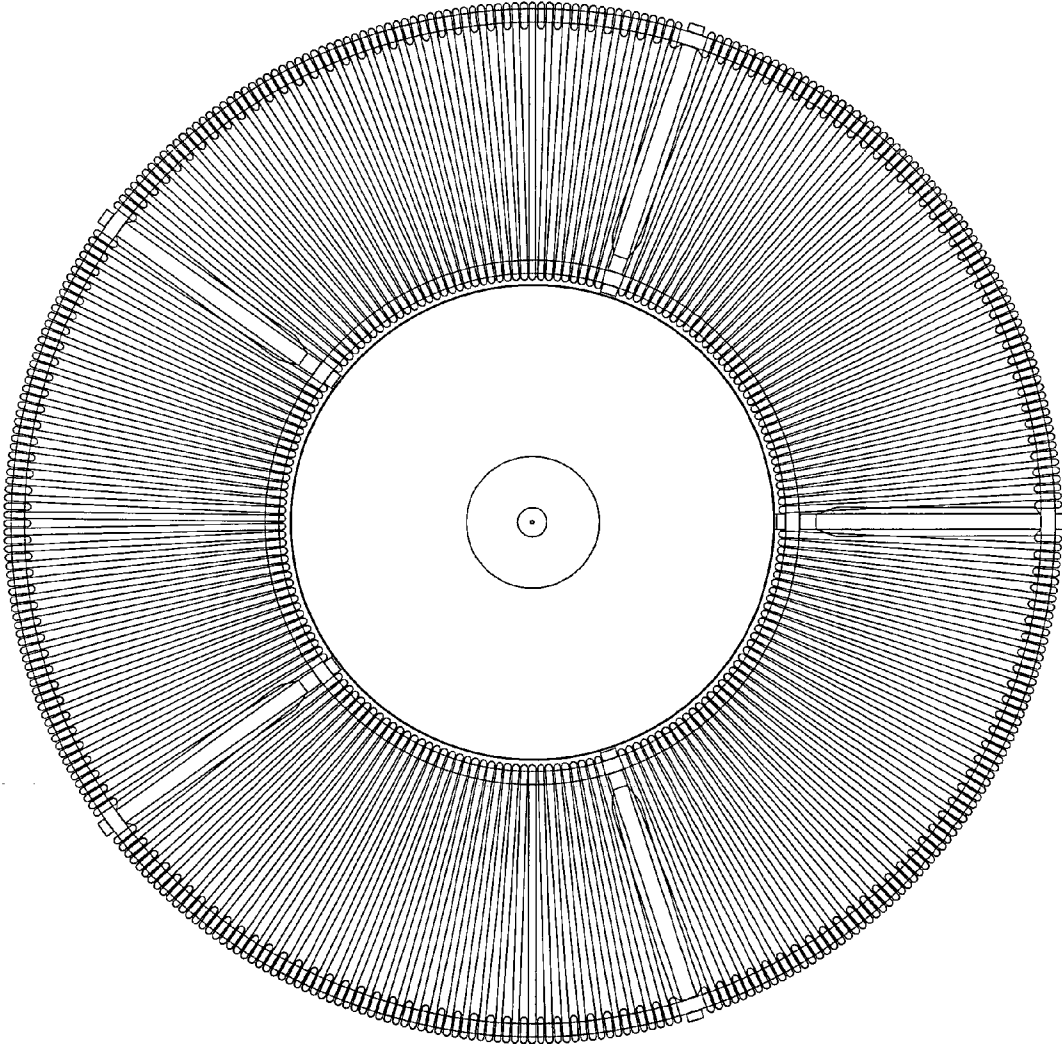


FIG. 4

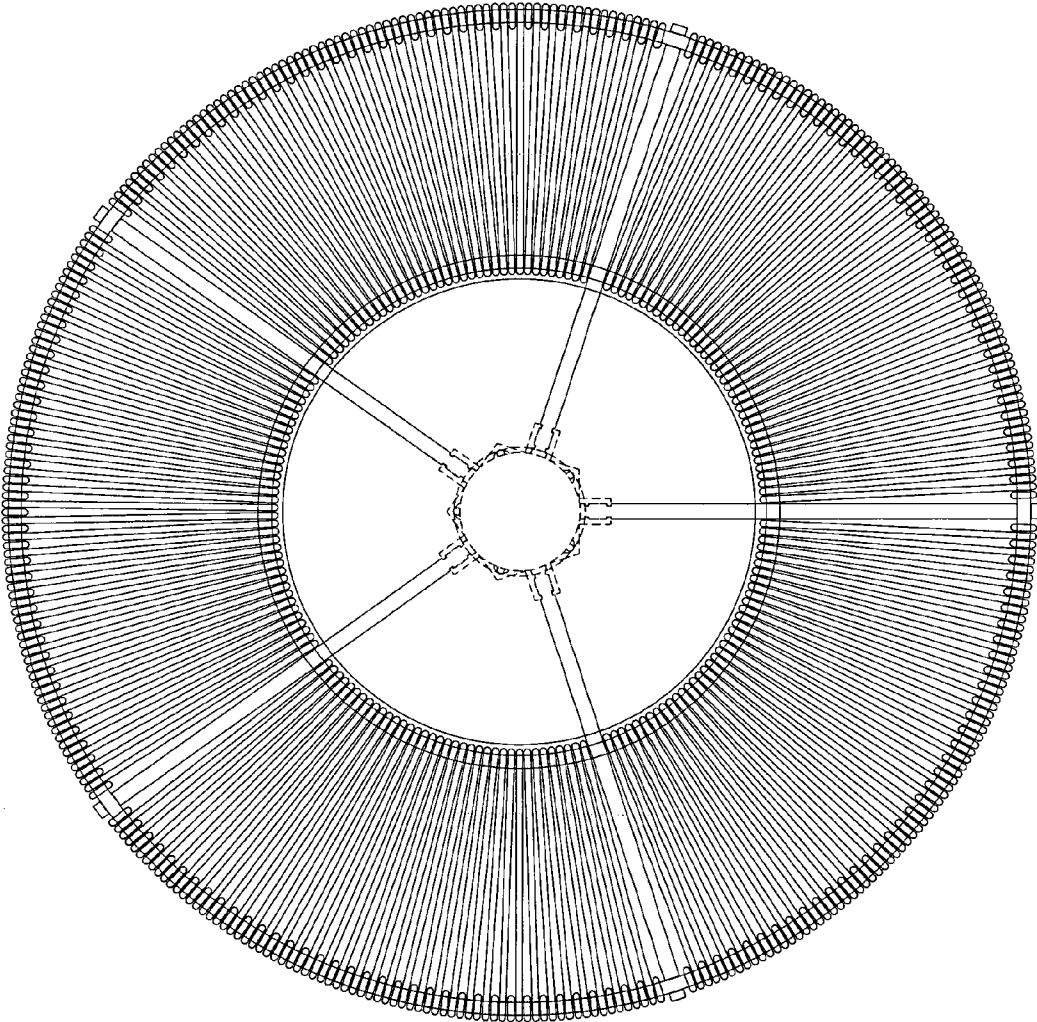


FIG. 5

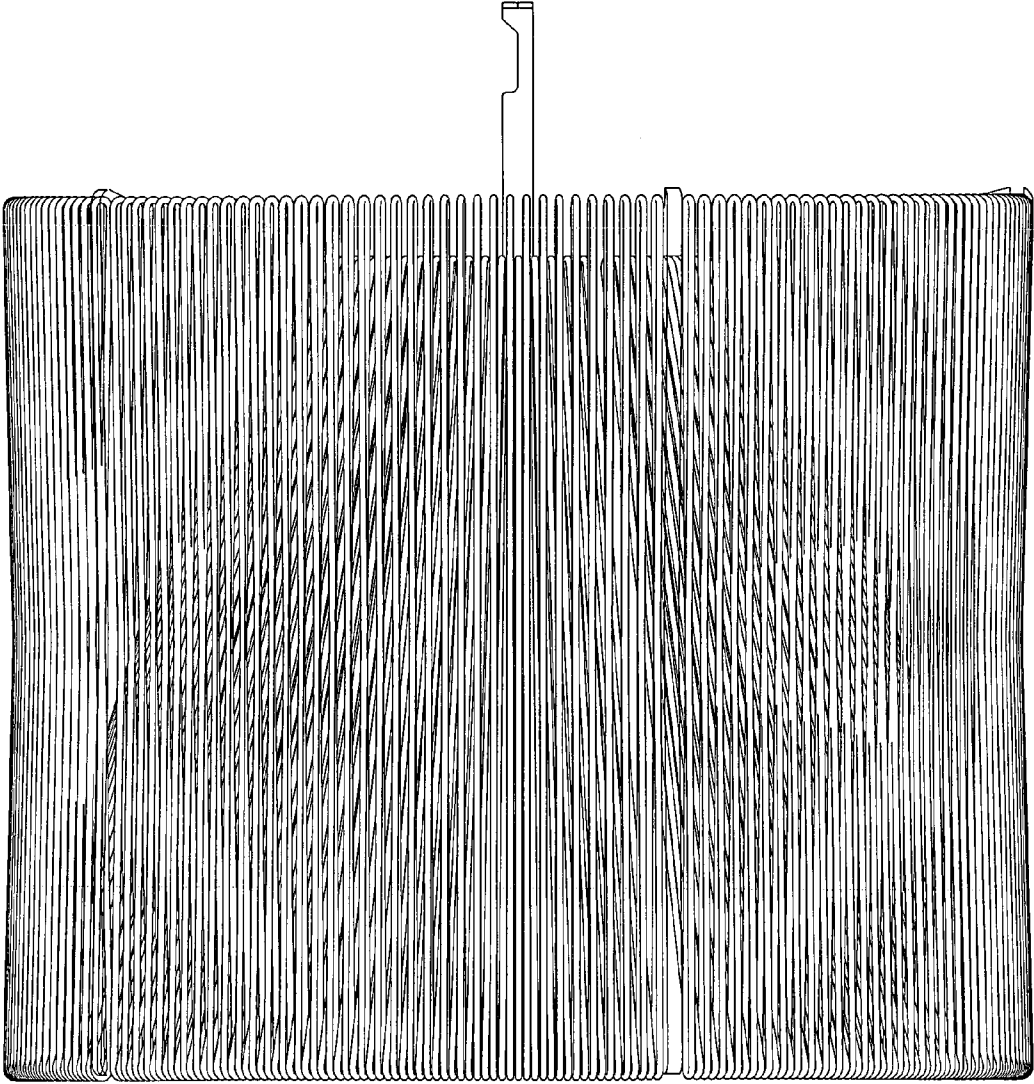
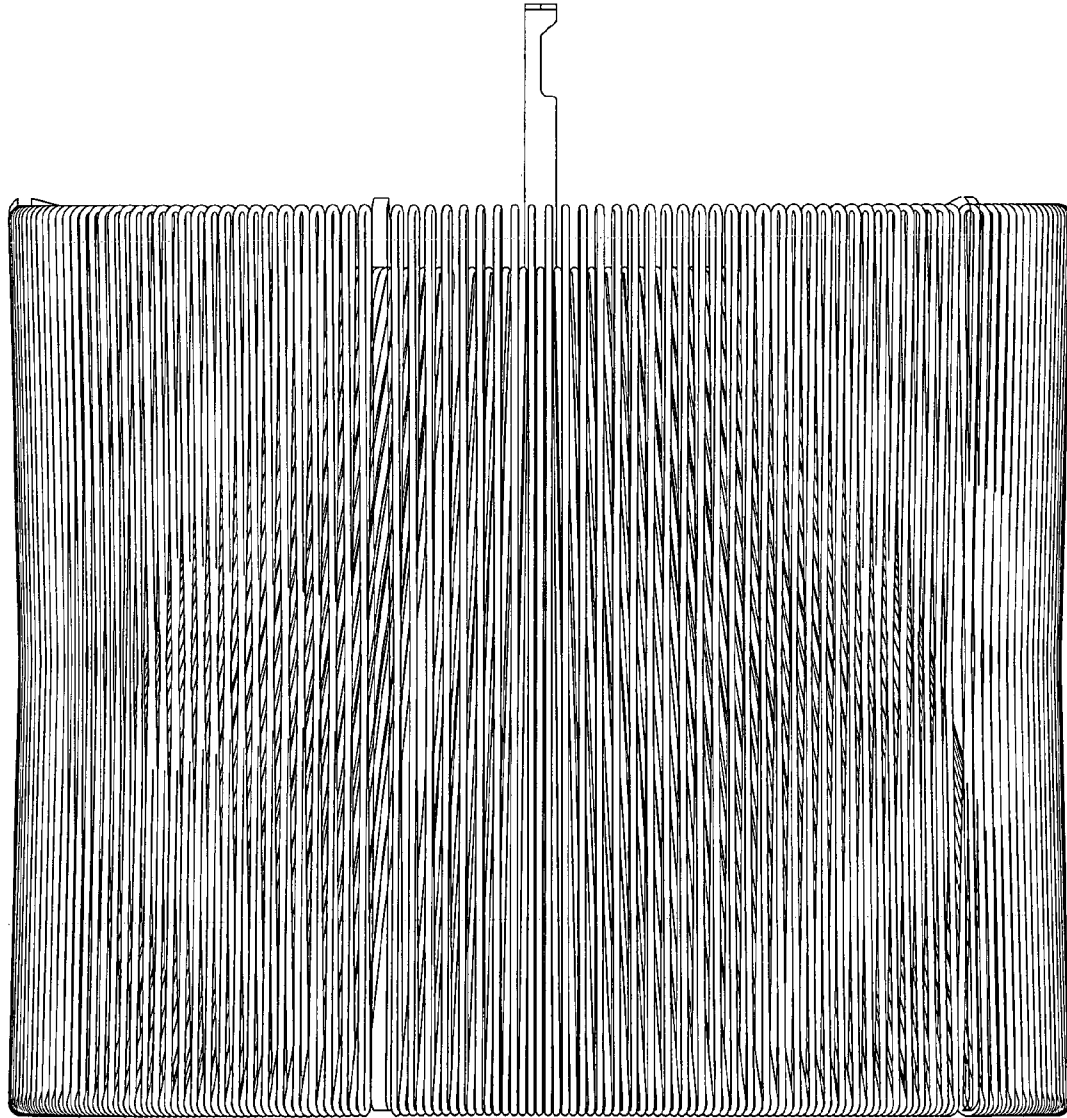


FIG. 6





US00D590098S

(12) **United States Design Patent**  
**Campbell**

(10) **Patent No.:** **US D590,098 S**

(45) **Date of Patent:** **\*\* Apr. 7, 2009**

(54) **LAMP**

(75) Inventor: **Louise Campbell**, Copenhagen K (DK)

(73) Assignee: **Louis Poulsen Lighting A/S**,  
Copenhagen K (DK)

(\*\*) Term: **14 Years**

(21) Appl. No.: **29/306,073**

(22) Filed: **Apr. 1, 2008**

(51) **LOC (9) Cl.** ..... **23-03**

(52) **U.S. Cl.** ..... **D26/104; D26/93**

(58) **Field of Classification Search** ..... D26/1,  
D26/24, 67, 93-94, 104-110; 362/3, 153,  
362/186, 217, 255, 257, 277, 317, 351, 353,  
362/362, 363, 382, 431, 433, 458, 806

See application file for complete search history.

(56) **References Cited**

**U.S. PATENT DOCUMENTS**

- D157,079 S \* 10/1950 Norton ..... D26/93
- D234,155 S \* 1/1975 Gellert ..... D26/108
- D274,474 S \* 6/1984 Castiglioni ..... D26/93
- 5,685,097 A \* 11/1997 Marinov ..... 362/806

- D475,156 S \* 5/2003 Franke ..... D26/104
- D501,574 S \* 2/2005 Evans ..... D26/104
- D503,491 S \* 3/2005 Shen ..... D26/104
- D510,639 S \* 10/2005 Brady ..... D26/118

**OTHER PUBLICATIONS**

"AJ Table Light" designed by Arne Jacobson, "1000 Lights" (eds. Charlotte & Peter Fiell) 2006, p. 340.\*

\* cited by examiner

*Primary Examiner*—Brian N Vinson

(74) *Attorney, Agent, or Firm*—Vedder Price, P.C.

(57) **CLAIM**

The ornamental design of the lamp, as shown and described.

**DESCRIPTION**

FIG. 1 is a left side view of a lamp showing my new design;

FIG. 2 is a right side view of the lamp of FIG. 1;

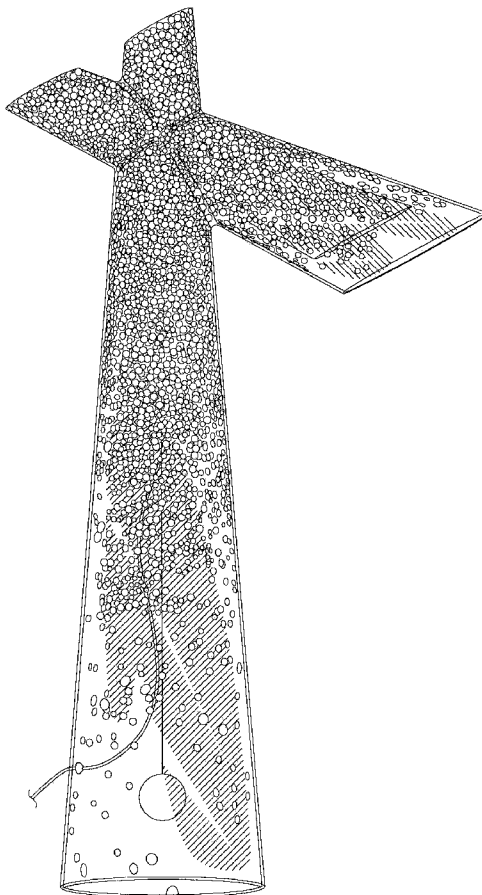
FIG. 3 is a front view of the lamp of FIG. 1;

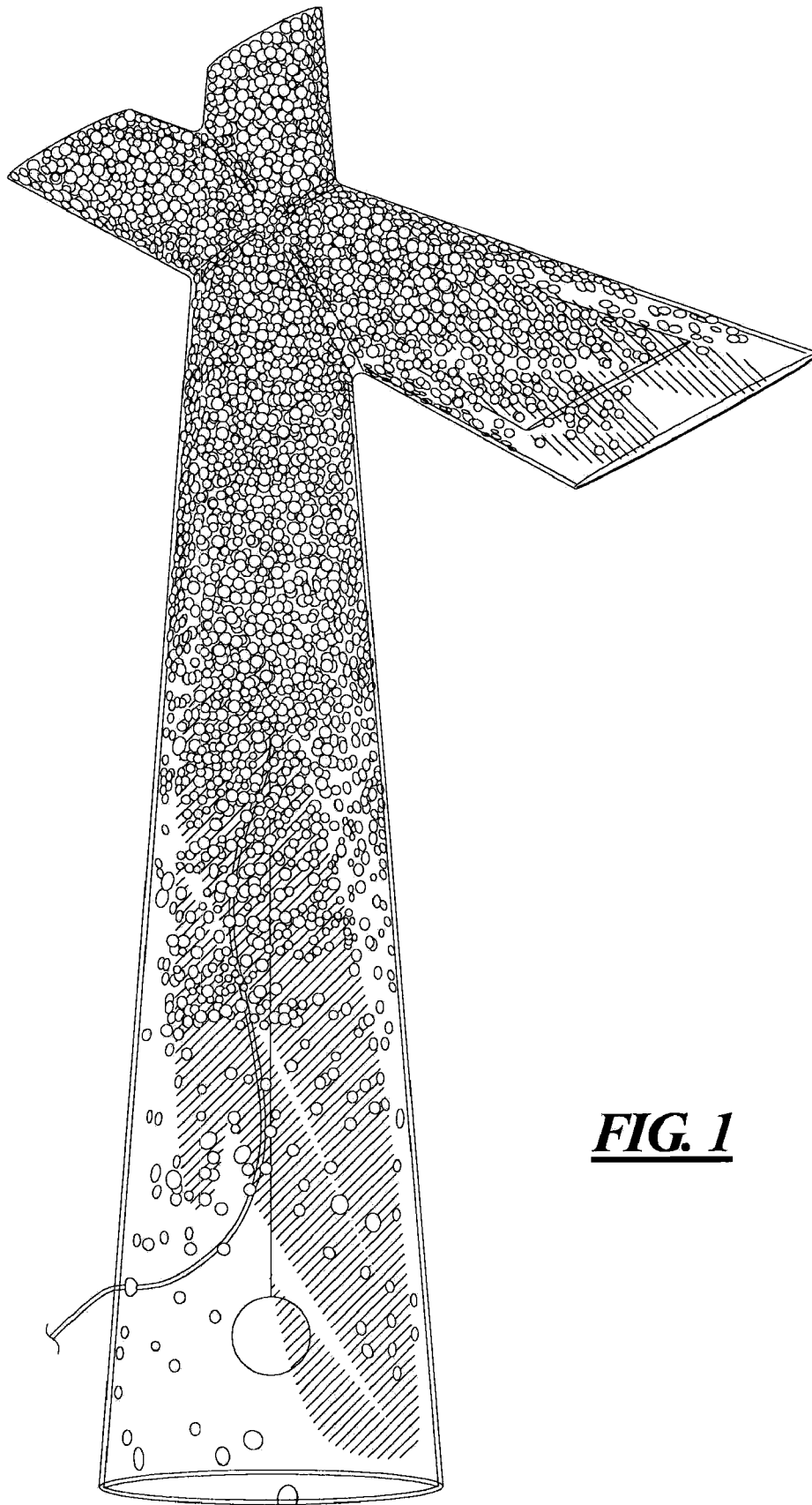
FIG. 4 is a rear view of the lamp of FIG. 1;

FIG. 5 is a top view of the lamp; and,

FIG. 6 is a bottom view of the lamp of FIG. 1.

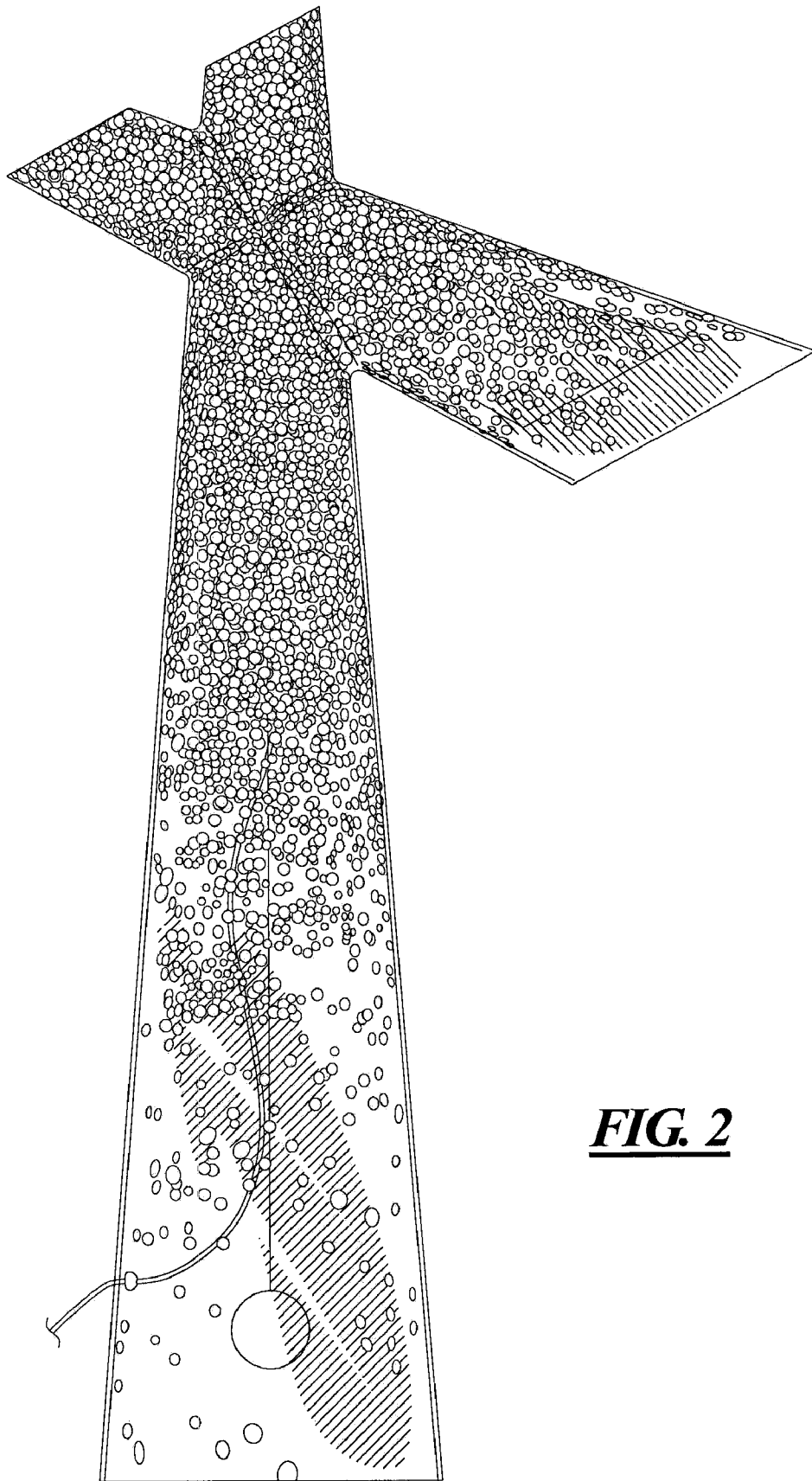
**1 Claim, 4 Drawing Sheets**





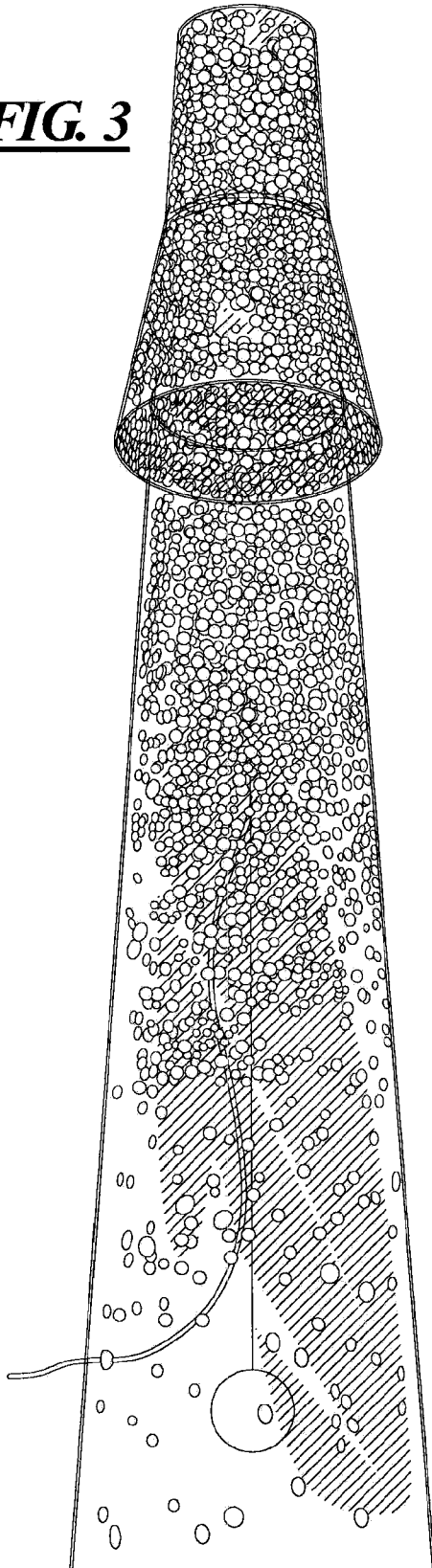
**FIG. 1**



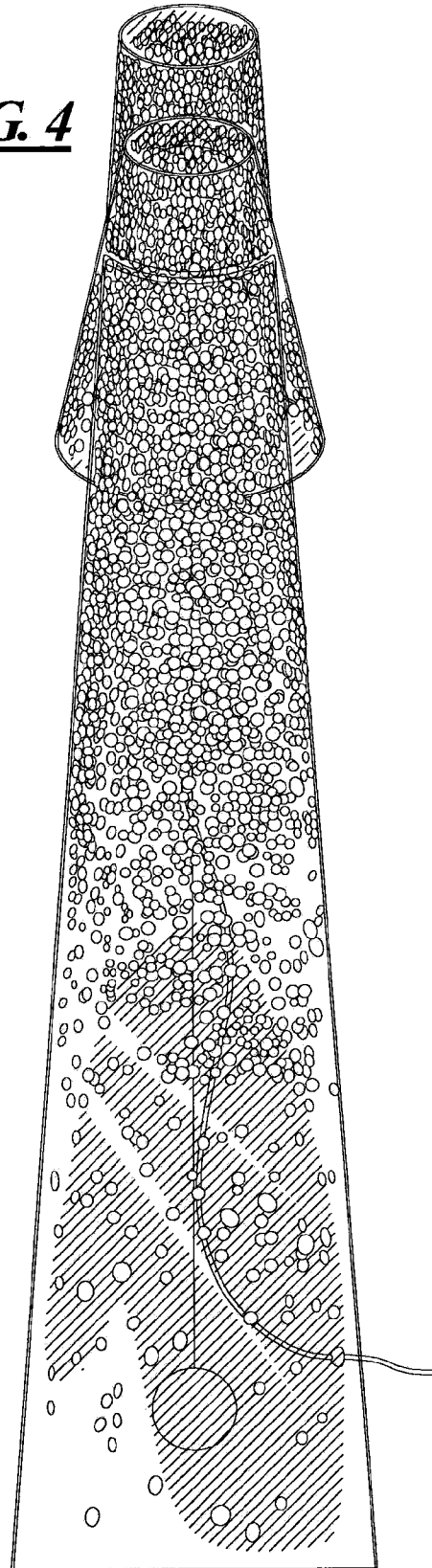


**FIG. 2**

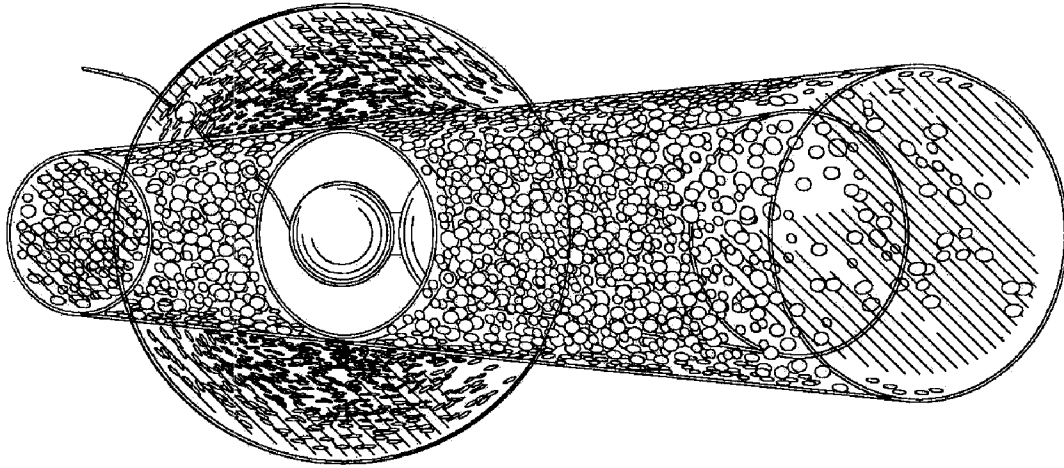
**FIG. 3**



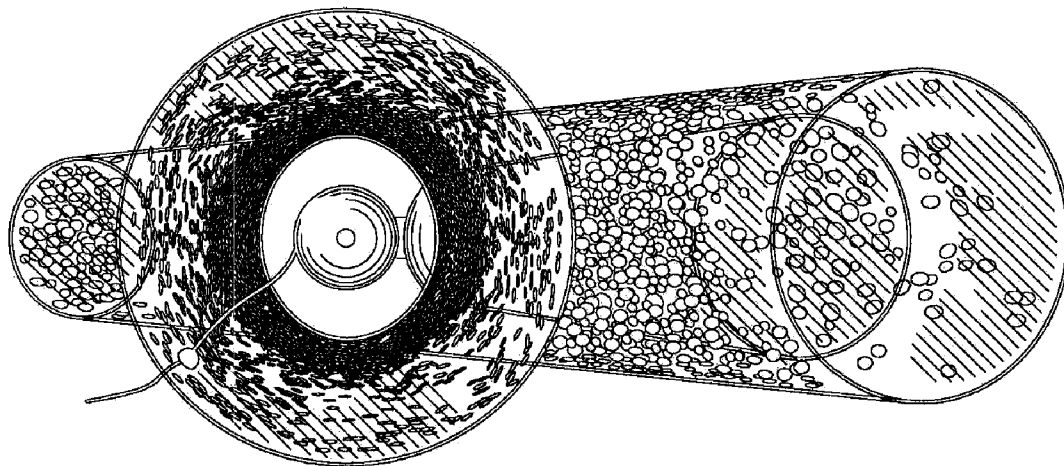
**FIG. 4**



**FIG. 5**



**FIG. 6**



UNITED STATES PATENT AND TRADEMARK OFFICE  
**CERTIFICATE OF CORRECTION**

PATENT NO. : Des. 590,098 S  
APPLICATION NO. : 29/306073  
DATED : April 1, 2008  
INVENTOR(S) : Campbell

Page 1 of 1

It is certified that error appears in the above-identified patent and that said Letters Patent is hereby corrected as shown below:

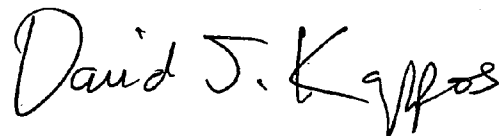
Title Page, insert:

Item --(30) Foreign Application Priority Data:

Mar. 13, 2008 (EM) .....000897202-0001--

Signed and Sealed this

Ninth Day of March, 2010

A handwritten signature in black ink that reads "David J. Kappos". The signature is written in a cursive style with a large, prominent "D" and "K".

David J. Kappos  
*Director of the United States Patent and Trademark Office*



US00D593704S

(12) **United States Design Patent**  
**Lovegrove**

(10) **Patent No.:** **US D593,704 S**

(45) **Date of Patent:** **\*\* Jun. 2, 2009**

(54) **LIGHT FIXTURE**

(75) Inventor: **Ross Lovegrove**, London (GB)

(73) Assignee: **Louis Poulsen Lighting A/S**,  
Copenhagen (DK)

(\*\*) Term: **14 Years**

(21) Appl. No.: **29/306,072**

(22) Filed: **Apr. 1, 2008**

(51) **LOC (9) Cl.** ..... **26-03**

(52) **U.S. Cl.** ..... **D26/90; D26/84**

(58) **Field of Classification Search** ..... D26/75,  
D26/76, 79, 81, 83, 84, 85, 88-91, 118, 138,  
D26/141; 362/147, 404-408

See application file for complete search history.

(56) **References Cited**

**U.S. PATENT DOCUMENTS**

1,127,527	A	*	2/1915	Schoen	.....	362/404
D59,087	S	*	9/1921	Hibben	.....	D26/88
D87,745	S	*	9/1932	Gunnison	.....	D26/88
D90,612	S	*	8/1933	Howell	.....	D26/88
D90,938	S	*	10/1933	Beck	.....	D26/88
D125,312	S	*	2/1941	Logan	.....	D26/88

D417,744	S	*	12/1999	Littman et al.	.....	D26/88
D465,872	S	*	11/2002	Cacaci	.....	D26/90
D469,562	S	*	1/2003	Crasset	.....	D26/90

**OTHER PUBLICATIONS**

“Spiga” Contemporary Pendant (model #PLC-81225-SN from PLC Lighting). Downloaded from www.arcadianlighting.com on 27/2009, Website © 2008.\*

\* cited by examiner

*Primary Examiner*—Clare E Heflin

(74) *Attorney, Agent, or Firm*—Vedder Price, P.C.

(57) **CLAIM**

The ornamental design for a light fixture, as shown and described.

**DESCRIPTION**

FIG. 1 is a top perspective view of a light fixture showing my new design;

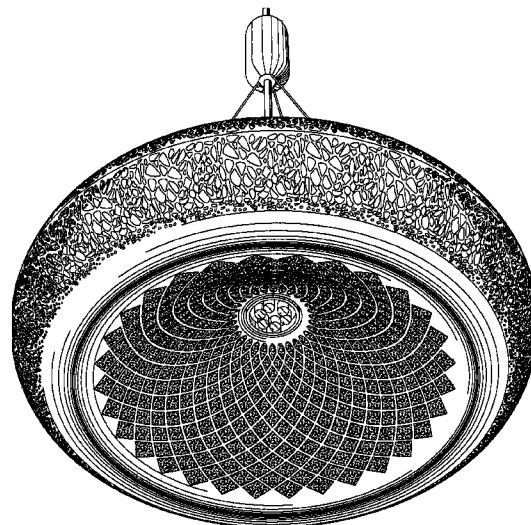
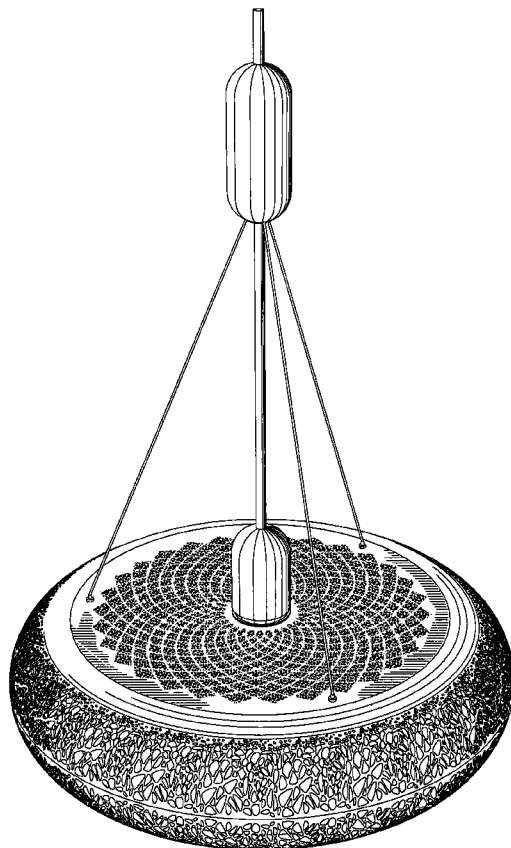
FIG. 2 is a side elevational view of the light fixture of FIG. 1;

FIG. 3 is a top plan view of the light fixture of FIG. 1;

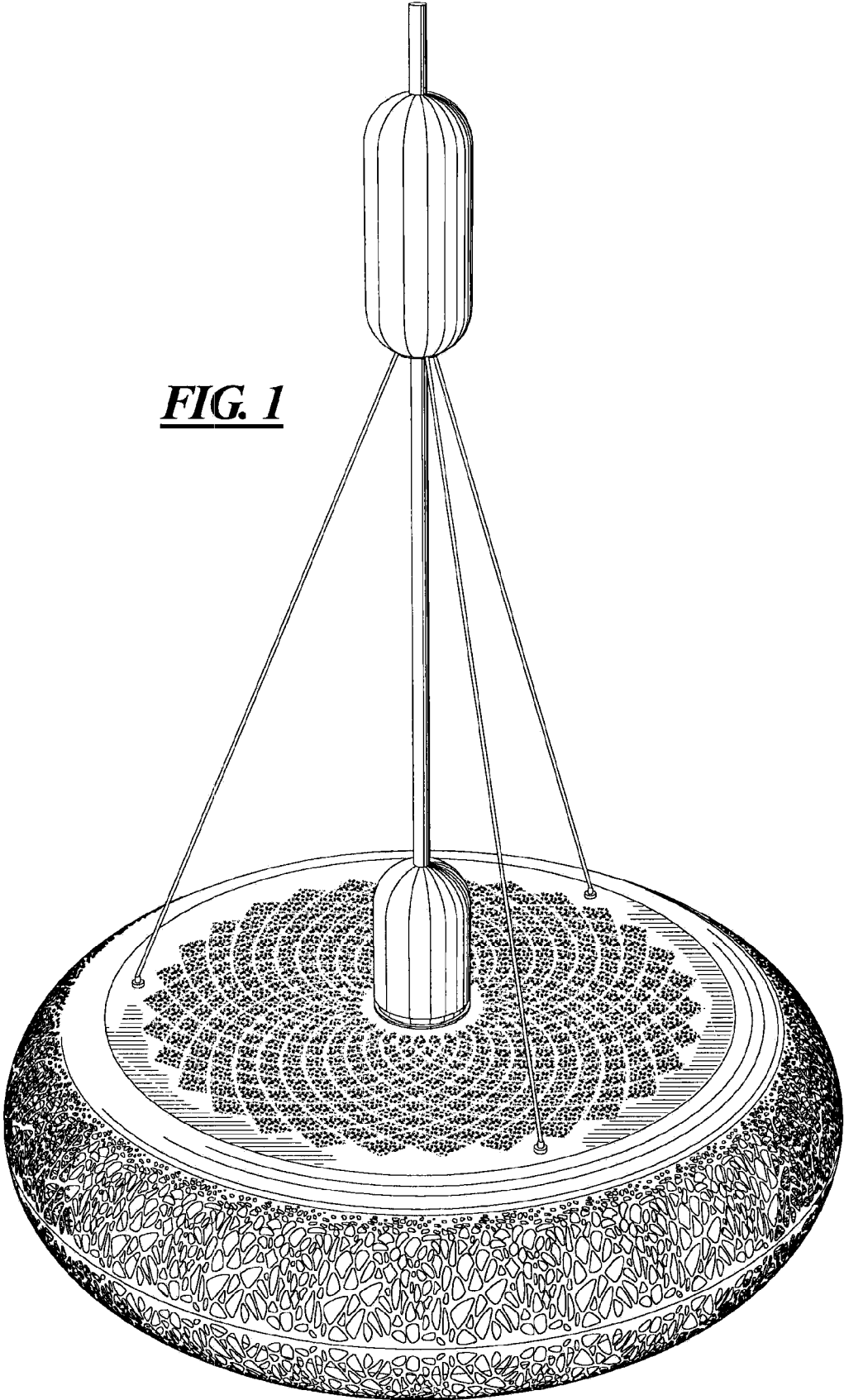
FIG. 4 is a bottom plan view of the light fixture of FIG. 1; and,

FIG. 5 is a bottom perspective view of the light fixture.

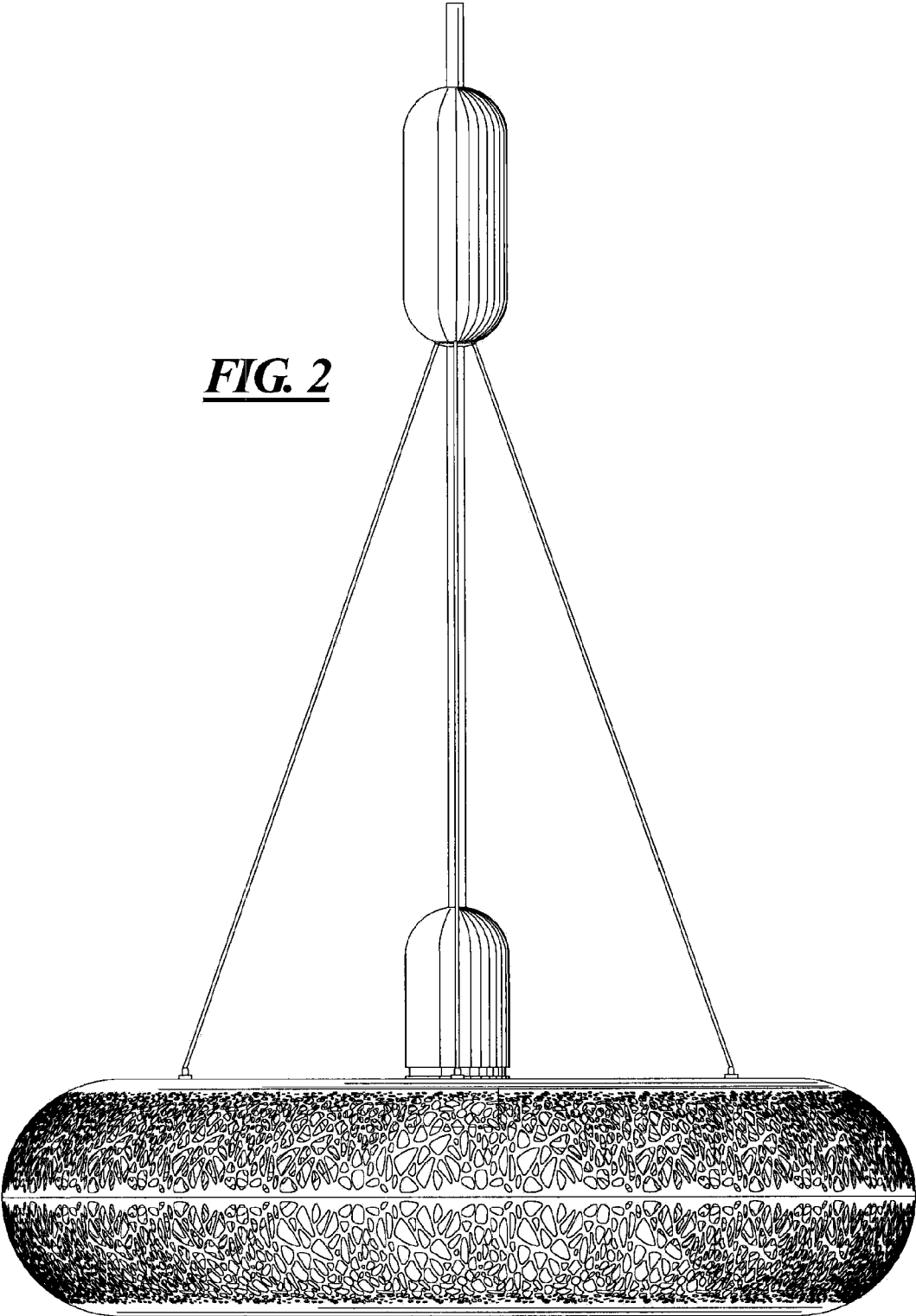
**1 Claim, 5 Drawing Sheets**



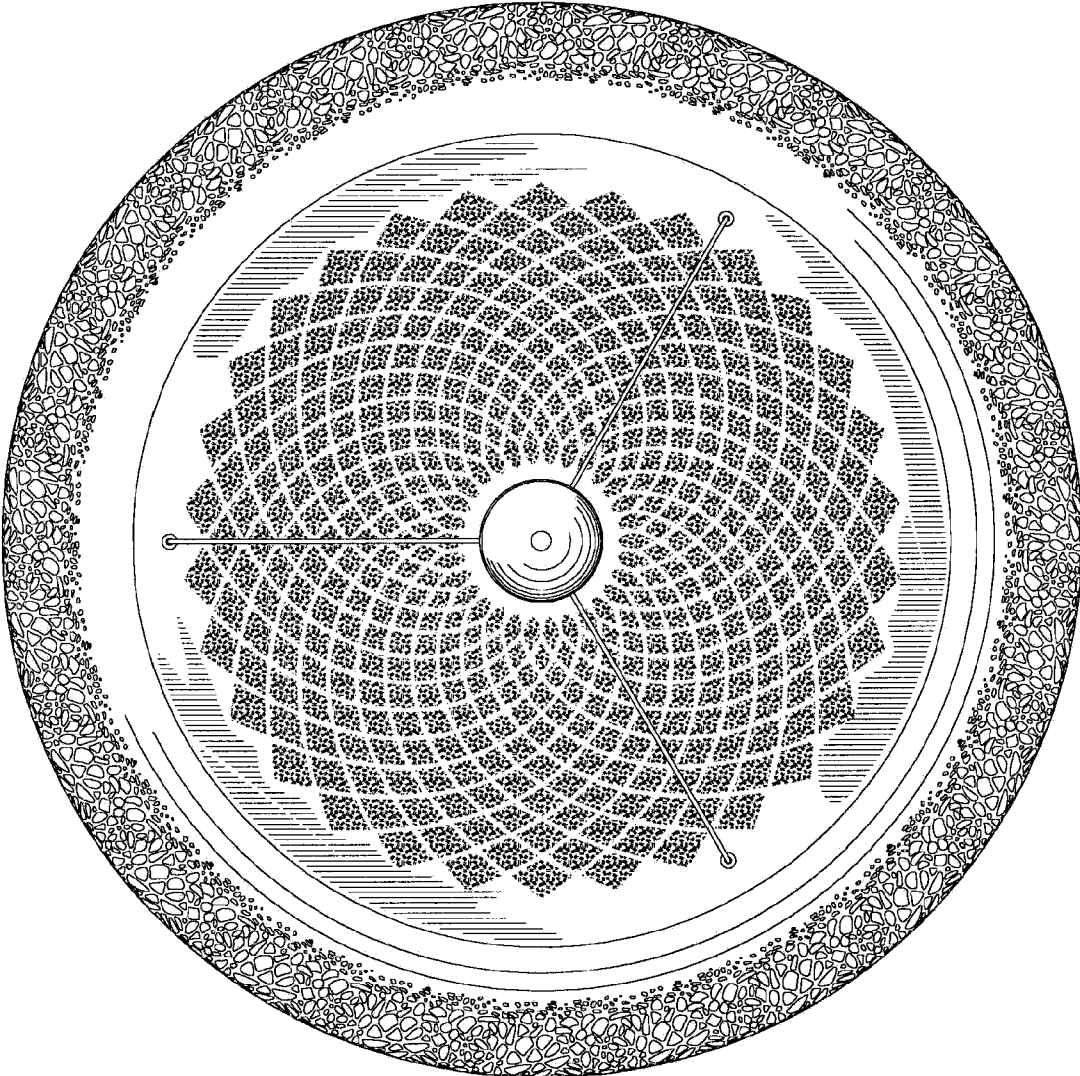
**FIG. 1**



**FIG. 2**

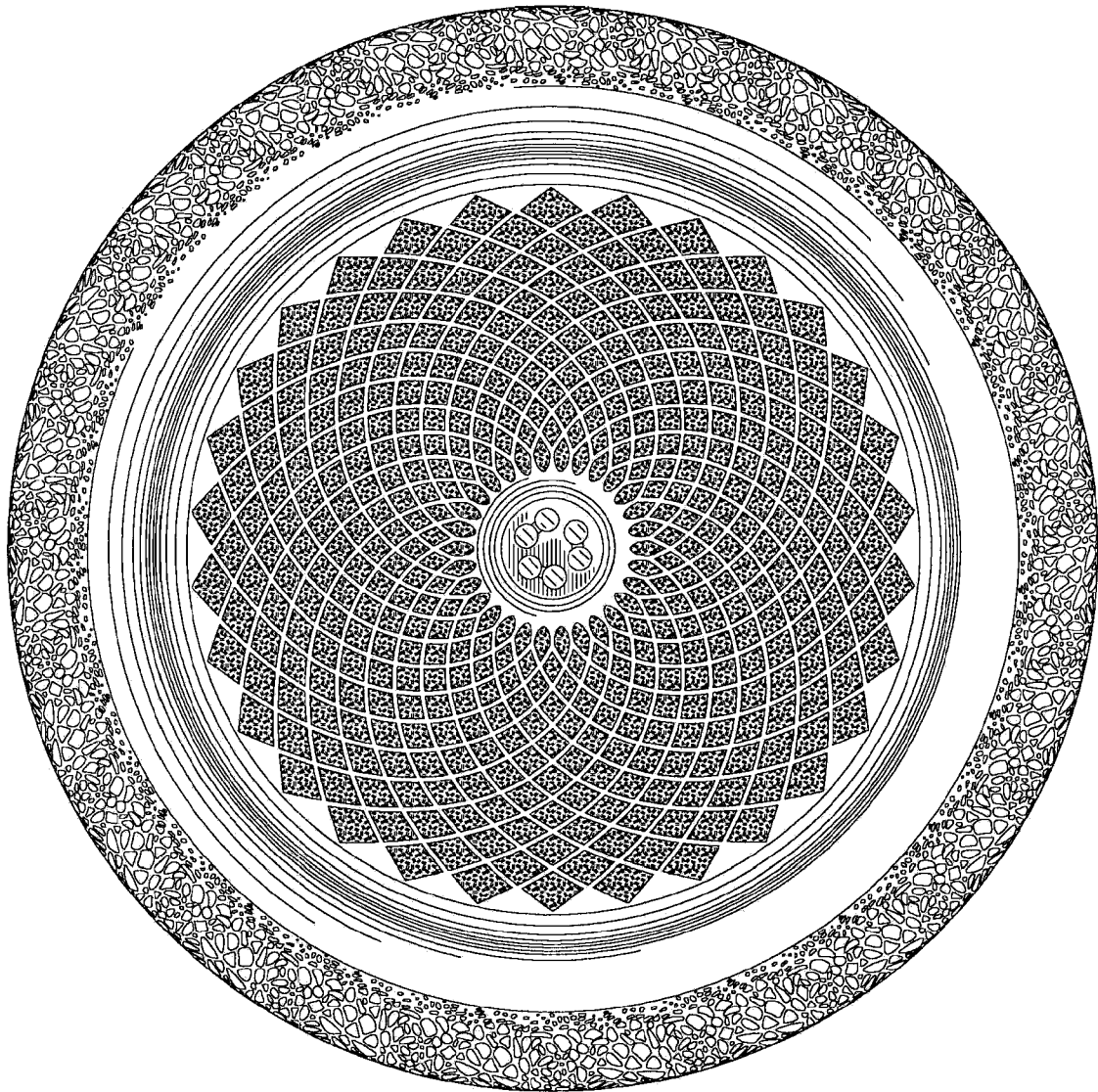


**FIG. 3**

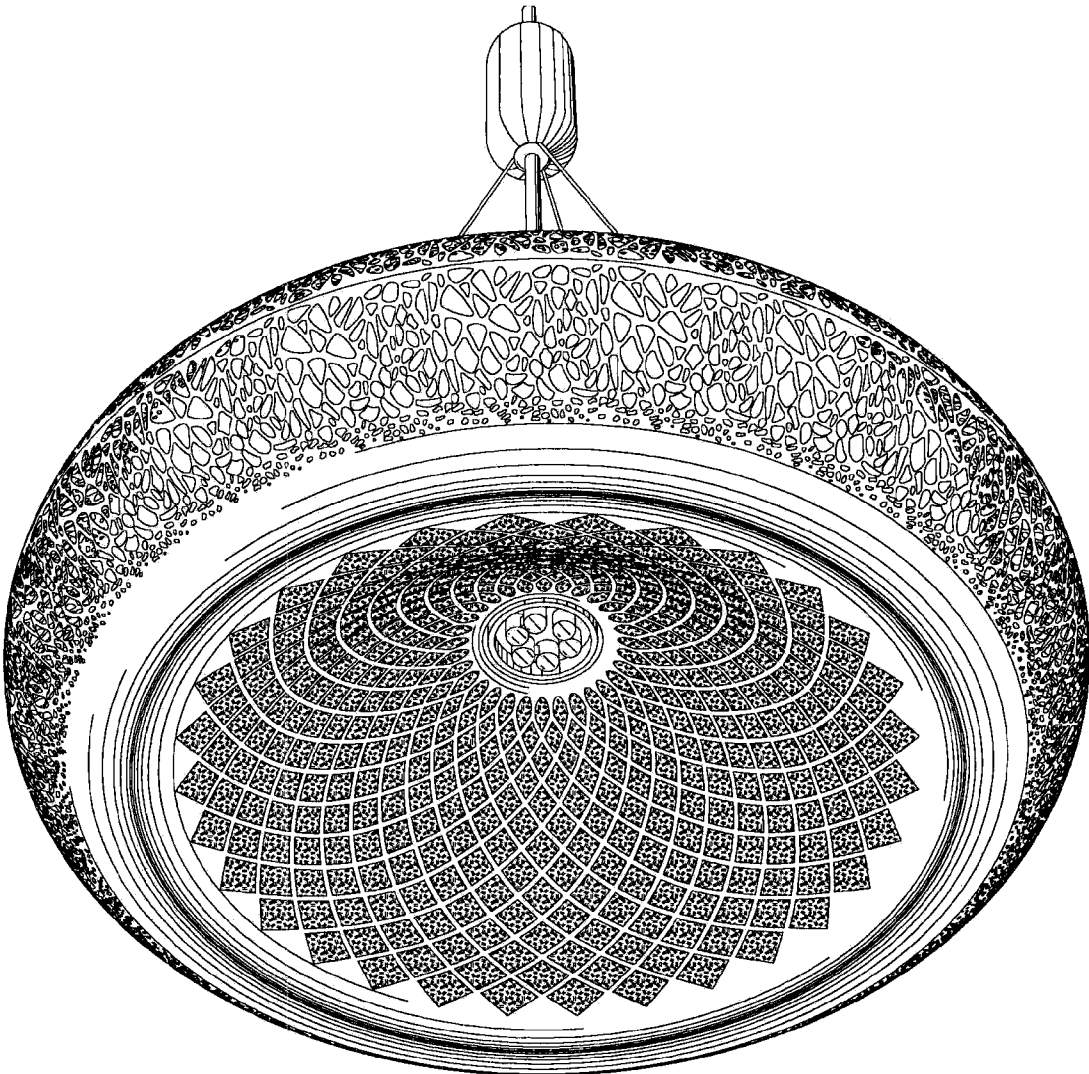




**FIG. 4**



**FIG. 5**



UNITED STATES PATENT AND TRADEMARK OFFICE  
**CERTIFICATE OF CORRECTION**

PATENT NO. : Des. 593,704 S  
APPLICATION NO. : 29/306072  
DATED : June 2, 2009  
INVENTOR(S) : Lovegrove

Page 1 of 1

It is certified that error appears in the above-identified patent and that said Letters Patent is hereby corrected as shown below:

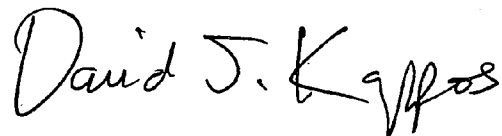
Title Page, insert

-- (30) Foreign Application Priority Data

Mar. 13, 2008 (EM) .....000897152-0001 --

Signed and Sealed this

Ninth Day of March, 2010



David J. Kappos  
*Director of the United States Patent and Trademark Office*



US00D604454S

(12) **United States Design Patent**  
**Majidi**

(10) **Patent No.:** **US D604,454 S**

(45) **Date of Patent:** **\*\* Nov. 17, 2009**

(54) **LIGHT FIXTURE**

(75) Inventor: **Mouzhan Majidi**, London (GB)

(73) Assignee: **Louis Poulsen Lighting A/S**,  
Copenhagen (DK)

(\*\*) Term: **14 Years**

(21) Appl. No.: **29/306,074**

(22) Filed: **Apr. 1, 2008**

(30) **Foreign Application Priority Data**

Mar. 13, 2008 (EM) ..... 000897202-0001

(51) **LOC (9) Cl.** ..... **26-99**

(52) **U.S. Cl.** ..... **D26/142**

(58) **Field of Classification Search** ..... D26/128,  
D26/121, 142, 155, 138, 122, 154, 113, 120,  
D26/134, 118, 74, 88, 80, 87, 90, 60, 61,  
D26/65, 63, 28, 107, 110, 109, 108, 9, 10,  
D26/11, 13, 23, 24, 72, 86, 93, 96, 119, 141,  
D26/143, 148, 149, 152, 153; 362/517, 516,  
362/350, 349, 348, 347, 346, 341, 297, 601,  
362/606, 609, 612, 623, 566, 577, 34, 84,  
362/121, 98, 217.02–217.1, 241, 237, 238,  
362/296.01, 299, 300, 301, 302, 307, 308,  
362/309, 323, 326, 330, 331, 335, 336, 337,  
362/351, 370

See application file for complete search history.

(56) **References Cited**

**U.S. PATENT DOCUMENTS**

D45,539 S \* 3/1914 Meyers ..... D26/90

D445,941 S \* 7/2001 Schaefer et al. .... D26/85  
D465,872 S \* 11/2002 Cacaci ..... D26/90  
D469,211 S \* 1/2003 Homann ..... D26/118  
D471,312 S \* 3/2003 Homann ..... D26/118  
6,945,676 B1 \* 9/2005 Scott ..... 362/396

\* cited by examiner

*Primary Examiner*—Cathron C Brooks

*Assistant Examiner*—Kevin K Rudzinski

(74) *Attorney, Agent, or Firm*—Vedder Price, P.C.

(57) **CLAIM**

The ornamental design for a light fixture, as shown and described.

**DESCRIPTION**

FIG. 1 is a top perspective view of a light fixture showing my new design;

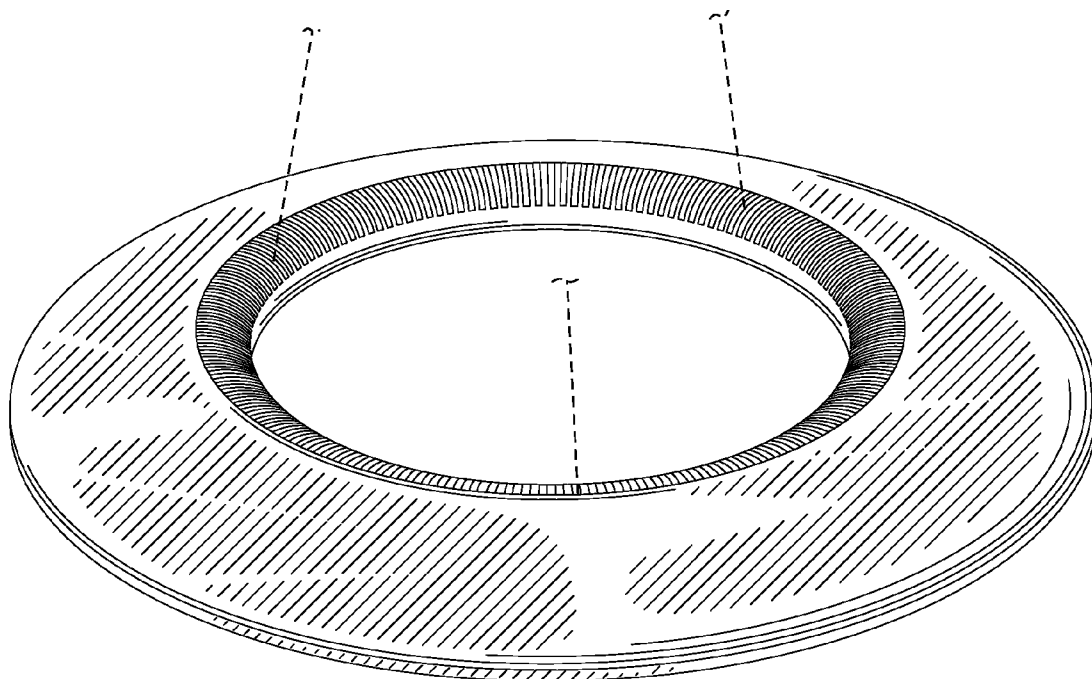
FIG. 2 is a side elevational view of the light fixture of FIG. 1;

FIG. 3 is a top view of the light fixture of FIG. 1; and,

FIG. 4 is a bottom plan view of the light fixture of FIG. 1.

The broken lines shown in the drawings represent environment and unclaimed portions of the design, and form no part of the claimed design.

**1 Claim, 3 Drawing Sheets**



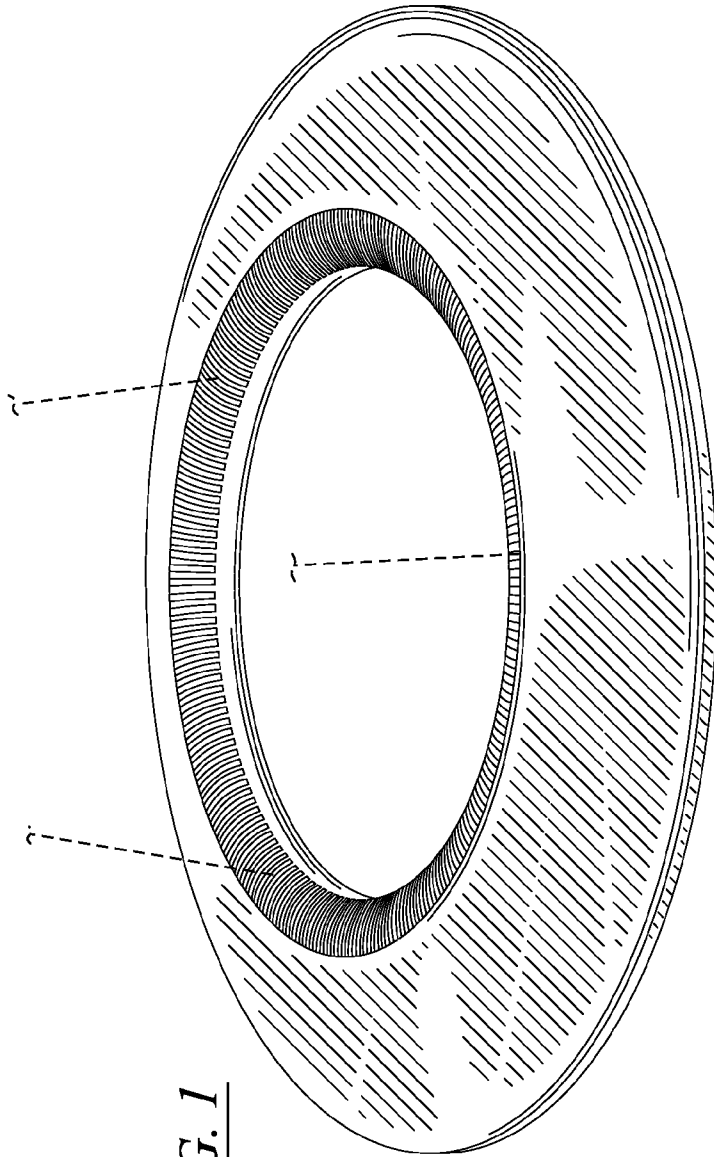


FIG. 1

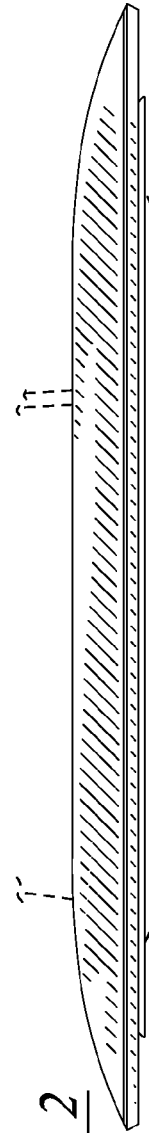
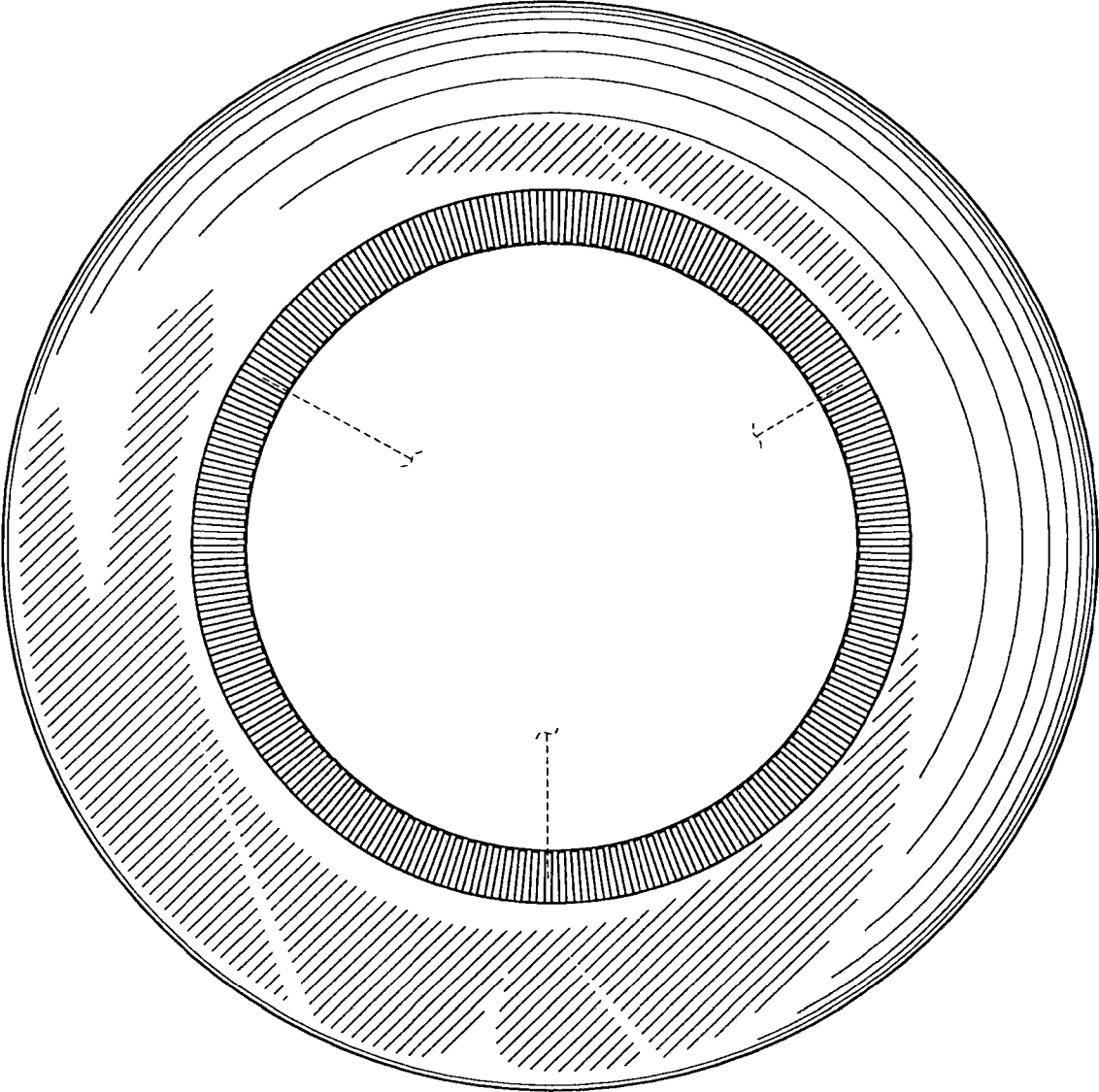


FIG. 2



**FIG. 3**

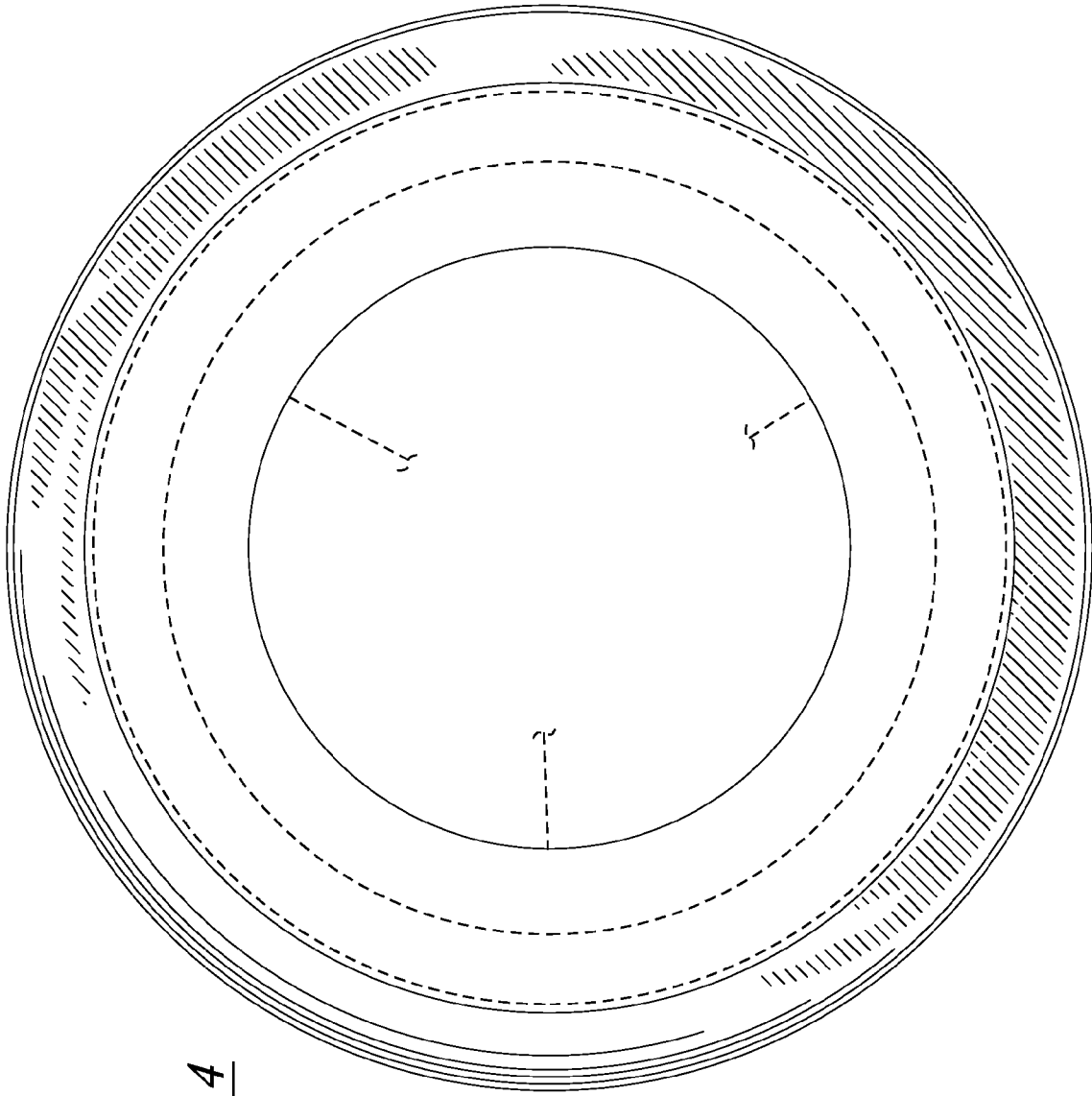


FIG. 4

UNITED STATES PATENT AND TRADEMARK OFFICE  
**CERTIFICATE OF CORRECTION**

PATENT NO. : Des. 604,454 S  
APPLICATION NO. : 29/306074  
DATED : November 17, 2009  
INVENTOR(S) : Majidi

Page 1 of 1

It is certified that error appears in the above-identified patent and that said Letters Patent is hereby corrected as shown below:

On title page Item (30)

Delete:

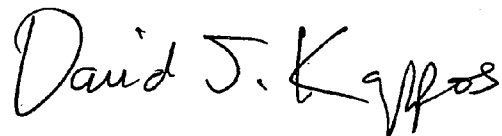
“Mar. 13, 2008 (EM) .....000897202-0001”

and replace with:

Mar. 19, 2008 (EM) .....000900014-0001

Signed and Sealed this

Thirtieth Day of March, 2010



David J. Kappos  
*Director of the United States Patent and Trademark Office*





US00D650510S

(12) **United States Design Patent**  
**Jensen**

(10) **Patent No.:** **US D650,510 S**

(45) **Date of Patent:** **\*\* Dec. 13, 2011**

(54) **LAMP**

(75) Inventor: **Ole Jensen**, Frederiksberg (DK)

(73) Assignee: **Louis Poulsen Lighting A/S**,  
Copenhagen (DK)

(\*\*) Term: **14 Years**

(21) Appl. No.: **29/378,099**

(22) Filed: **Oct. 29, 2010**

(30) **Foreign Application Priority Data**

Apr. 29, 2010 (EM) ..... 001701954

(51) **LOC (9) Cl.** ..... **26-03**

(52) **U.S. Cl.** ..... **D26/93**

(58) **Field of Classification Search** ..... D26/1,  
D26/24, 67-6, 93-94, 101, 104-110, 113;  
362/3, 153, 186, 217, 255, 257, 277, 317,  
362/351, 353, 362, 363, 382, 431, 433, 458,  
362/806

See application file for complete search history.

(56) **References Cited**

U.S. PATENT DOCUMENTS

D589,646 S \* 3/2009 Sabernig ..... D26/110  
D590,092 S \* 4/2009 Starck ..... D26/93  
D610,739 S \* 2/2010 Jourdan ..... D26/93  
D625,039 S \* 10/2010 Citterio ..... D26/93

\* cited by examiner

*Primary Examiner* — Brian N Vinson

(74) *Attorney, Agent, or Firm* — Ladas & Parry LLP

(57) **CLAIM**

The ornamental design for a lamp, as shown and described.

**DESCRIPTION**

FIG. 1 is a top plan view of the lamp embodying our new design;

FIG. 2 is a right side elevational view thereof, the left side elevational view being a mirror image thereof;

FIG. 3 is a front elevational view thereof, the rear elevational view being a mirror image thereof;

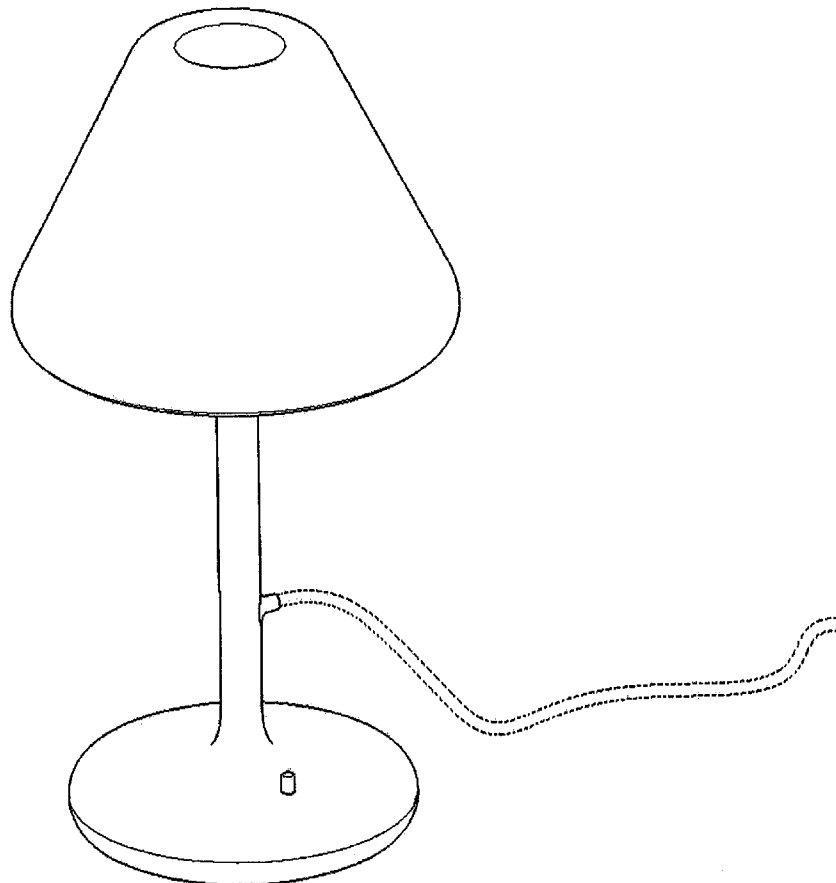
FIG. 4 is a front elevational view without the lamp shade in place;

FIG. 5 is a perspective view thereof; and,

FIG. 6 is a bottom plan view thereof.

The broken lines in the drawings depict environmental subject matter only and form no part of the claimed design.

**1 Claim, 6 Drawing Sheets**



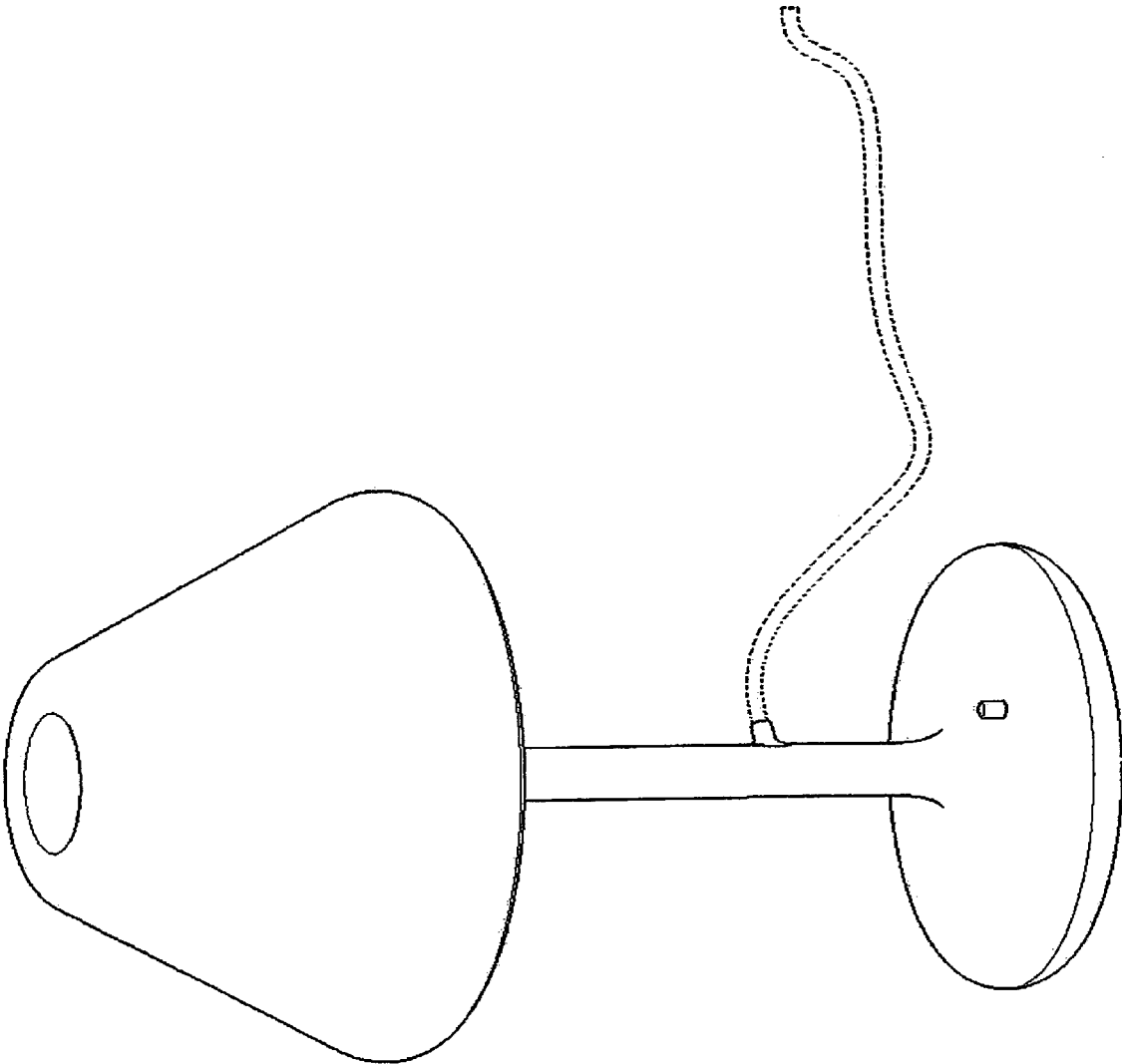


FIG. 1

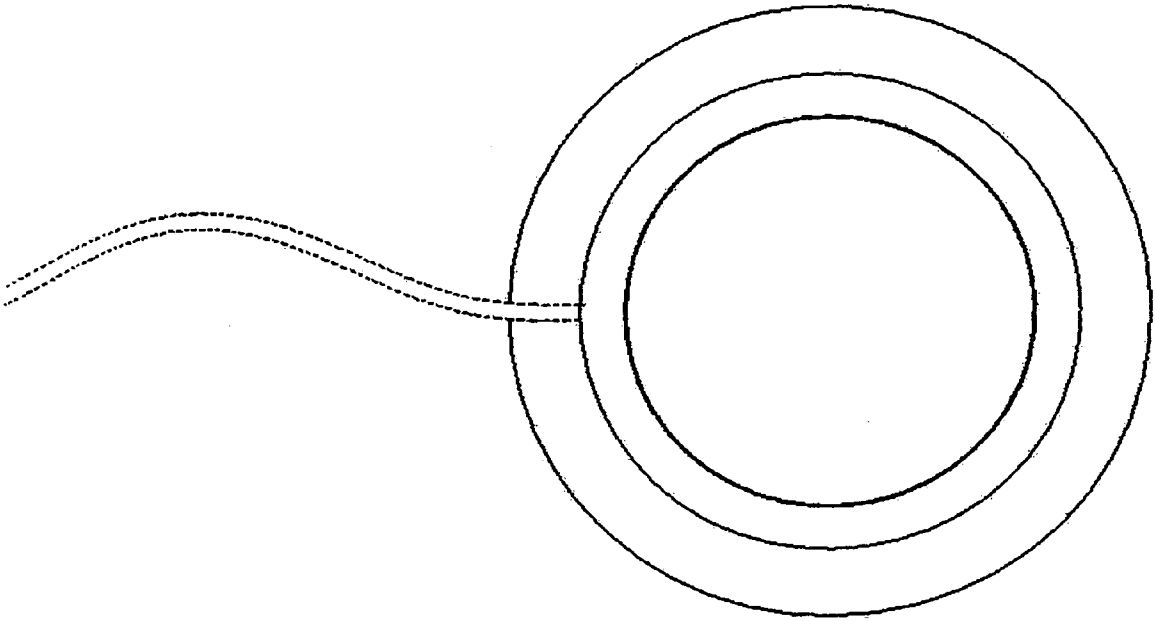


FIG. 2

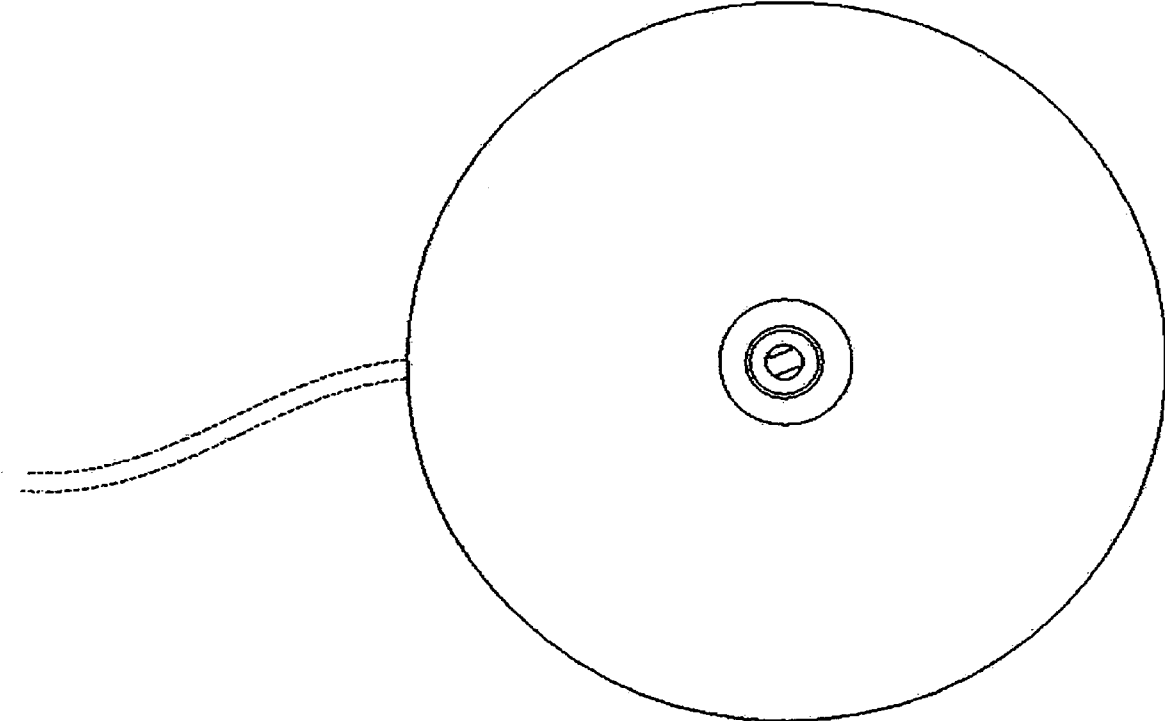


FIG. 3

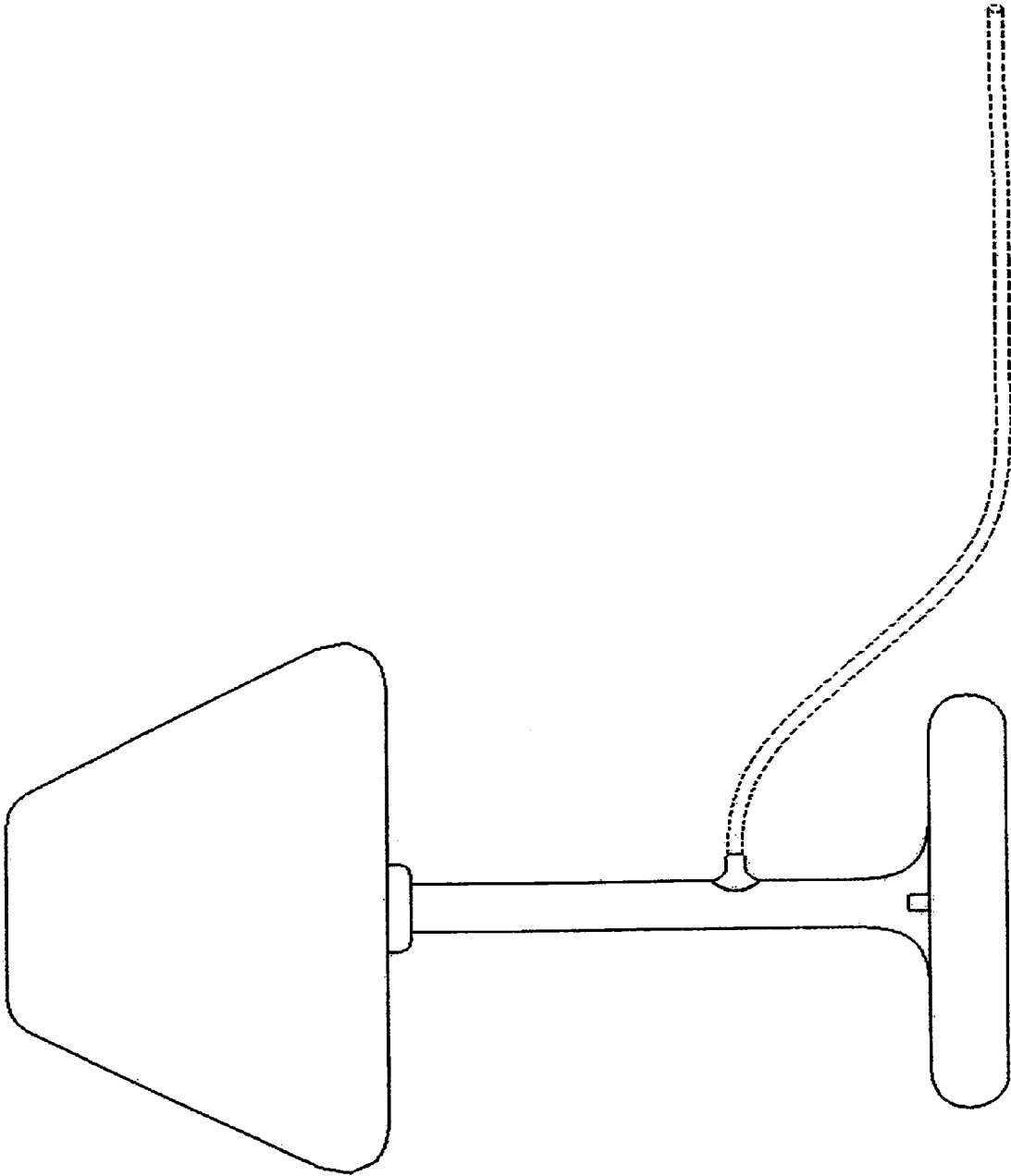


FIG. 4

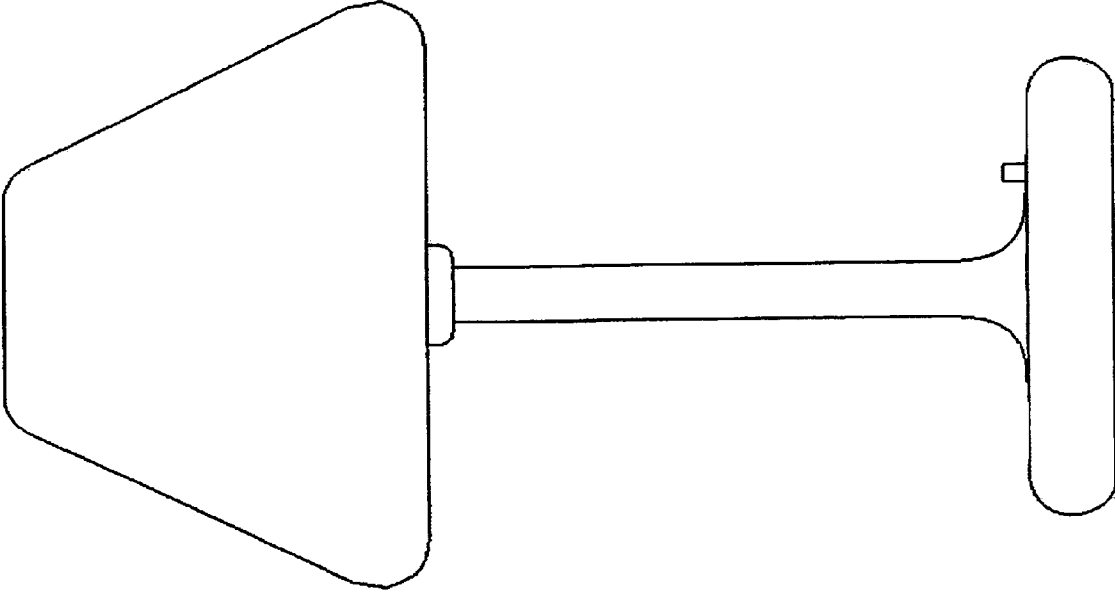


FIG. 5

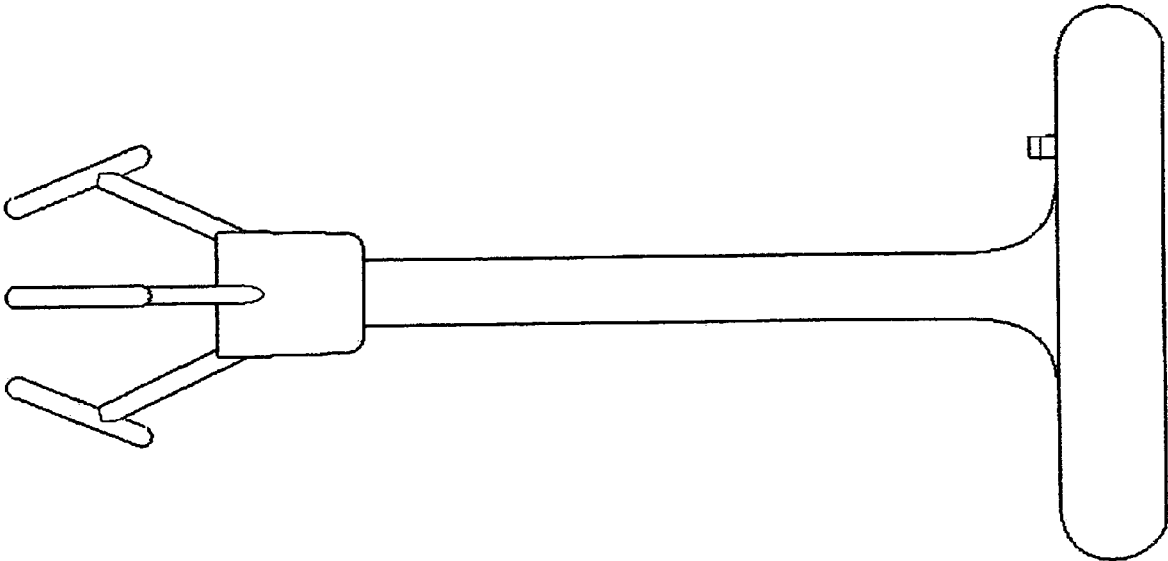


FIG. 6



US00D664280S

(12) **United States Design Patent**  
**Campbell**

(10) **Patent No.:** **US D664,280 S**

(45) **Date of Patent:** **\*\* Jul. 24, 2012**

(54) **LAMP**

(75) Inventor: **Louise Campbell**, Copenhagen Ø (DK)

(73) Assignee: **Louis Poulsen Lighting A/S**,  
Copenhagen (DK)

(\*\*) Term: **14 Years**

(21) Appl. No.: **29/400,886**

(22) Filed: **Sep. 2, 2011**

(30) **Foreign Application Priority Data**

May 12, 2011 (EM) ..... 001862657

(51) **LOC (9) Cl.** ..... **26-03**

(52) **U.S. Cl.** ..... **D26/88**

(58) **Field of Classification Search** ..... D26/80-82,  
D26/84, 86, 88, 90, 92, 128, 129, 135, 136,  
D26/146, 147; 362/147, 404-408  
See application file for complete search history.

(56) **References Cited**

**U.S. PATENT DOCUMENTS**

D43,646	S	*	2/1913	Ryan	.....	D26/88
D56,715	S	*	11/1920	Thompson	.....	D26/129
D62,073	S	*	3/1923	Tomlinson	.....	D26/88
D85,629	S	*	11/1931	Wing	.....	D26/88
D89,993	S	*	5/1933	O'Neil	.....	D26/128
D217,086	S	*	4/1970	Miller	.....	D22/123

3,895,229	A	*	7/1975	Strom	.....	362/351
4,009,309	A	*	2/1977	Holt	.....	362/361
D431,669	S	*	10/2000	Milicia	.....	D26/128
D585,583	S	*	1/2009	Campbell	.....	D26/88
D601,743	S	*	10/2009	Sabernig	.....	D26/88
D620,632	S	*	7/2010	Wanders	.....	D26/88

**OTHER PUBLICATIONS**

Davine One-Light Pendant Model #17743 shown on pp. 20 and 21 of the Eurofase Lighting Illuminations Catalog MKT-CAT-EF09. ©2009. (2 pages includes rear cover of catalog).\*  
Firebird Owl Glass Halogen Tech Lighting Mini Pendant found at eurostylelighting.com, visited May 7, 2010.\*  
Firebird Pendant found at lbclighting.com, visited on Sep. 19, 2007.\*

\* cited by examiner

*Primary Examiner* — Clare E Heflin

(74) *Attorney, Agent, or Firm* — Harness, Dickey & Pierce, P.L.C.

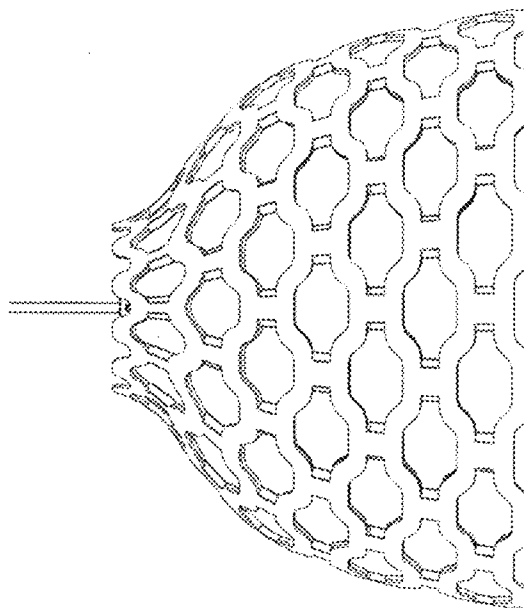
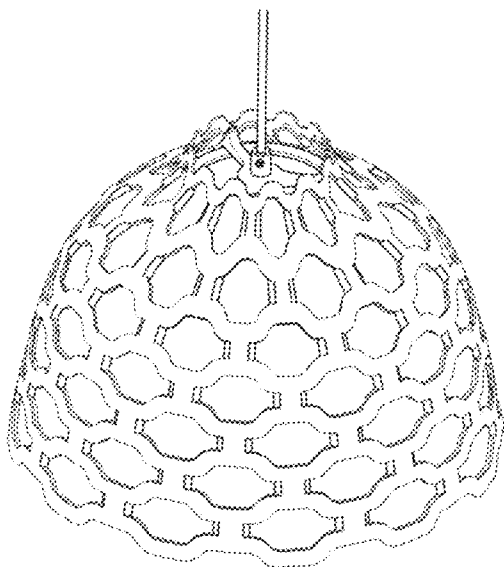
(57) **CLAIM**

The ornamental design for a lamp, as shown and described.

**DESCRIPTION**

FIG. 1 is perspective view of a lamp showing my new design; FIG. 2 is a side elevational view thereof, all side views being essentially a mirror image thereof; FIG. 3 is a top view thereof; and, FIG. 4 is a bottom view thereof.

**1 Claim, 4 Drawing Sheets**





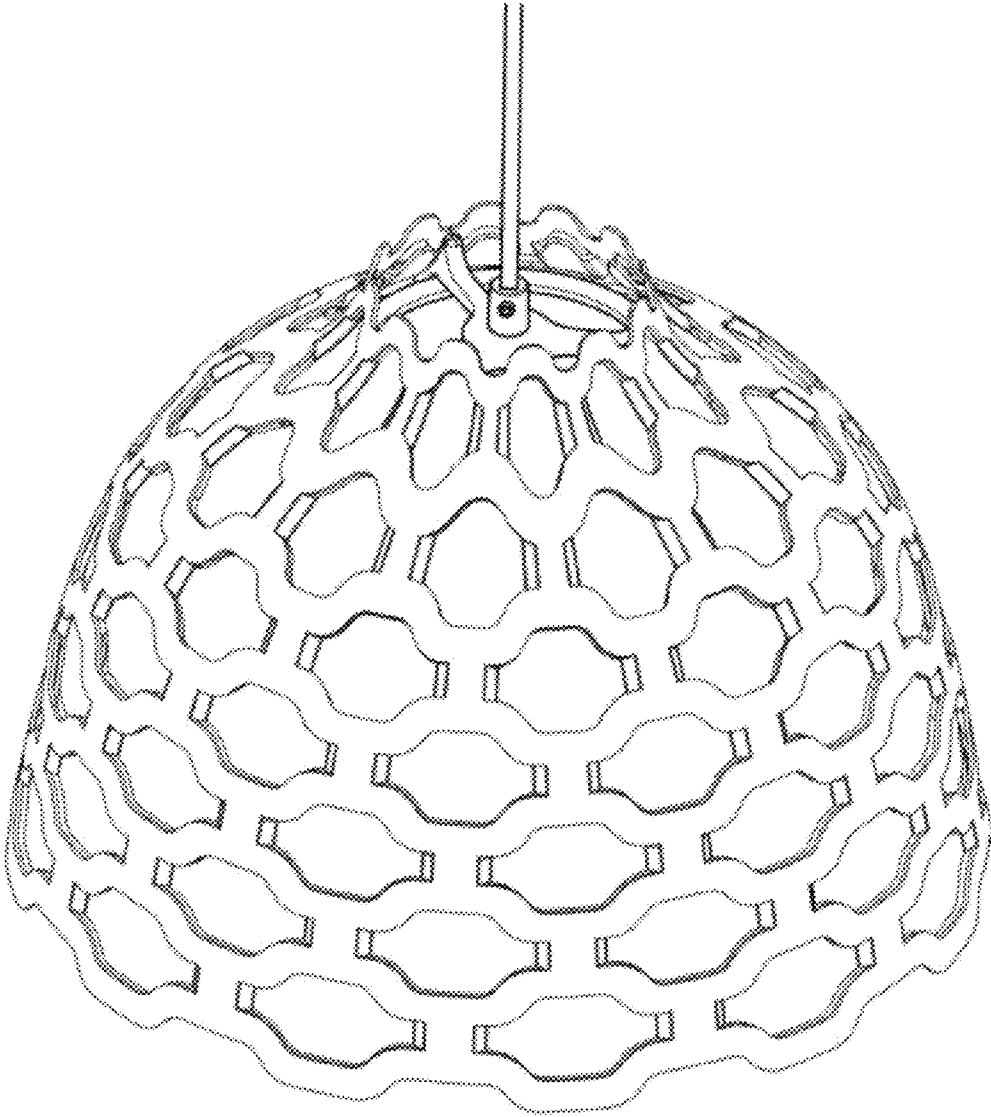


FIG. 1

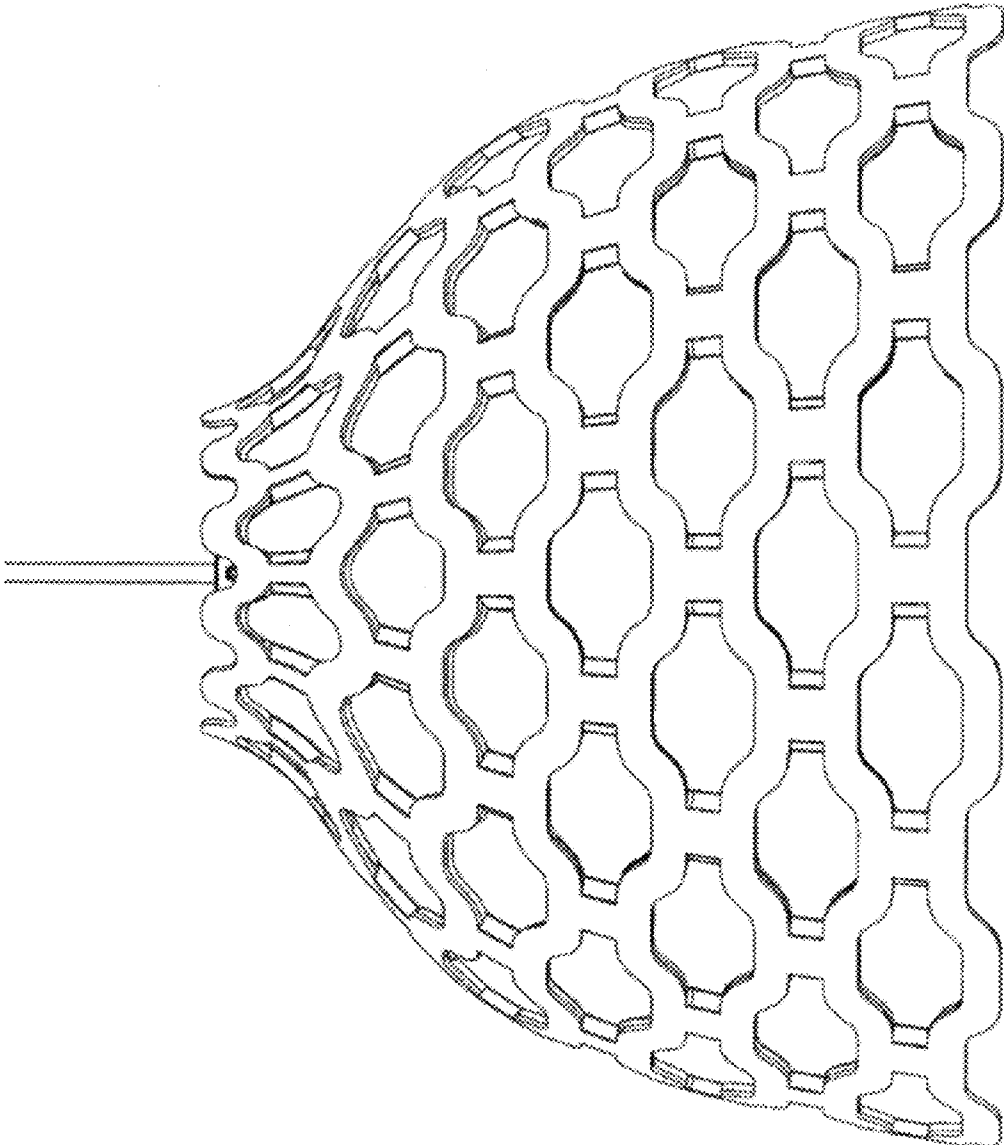


FIG. 2

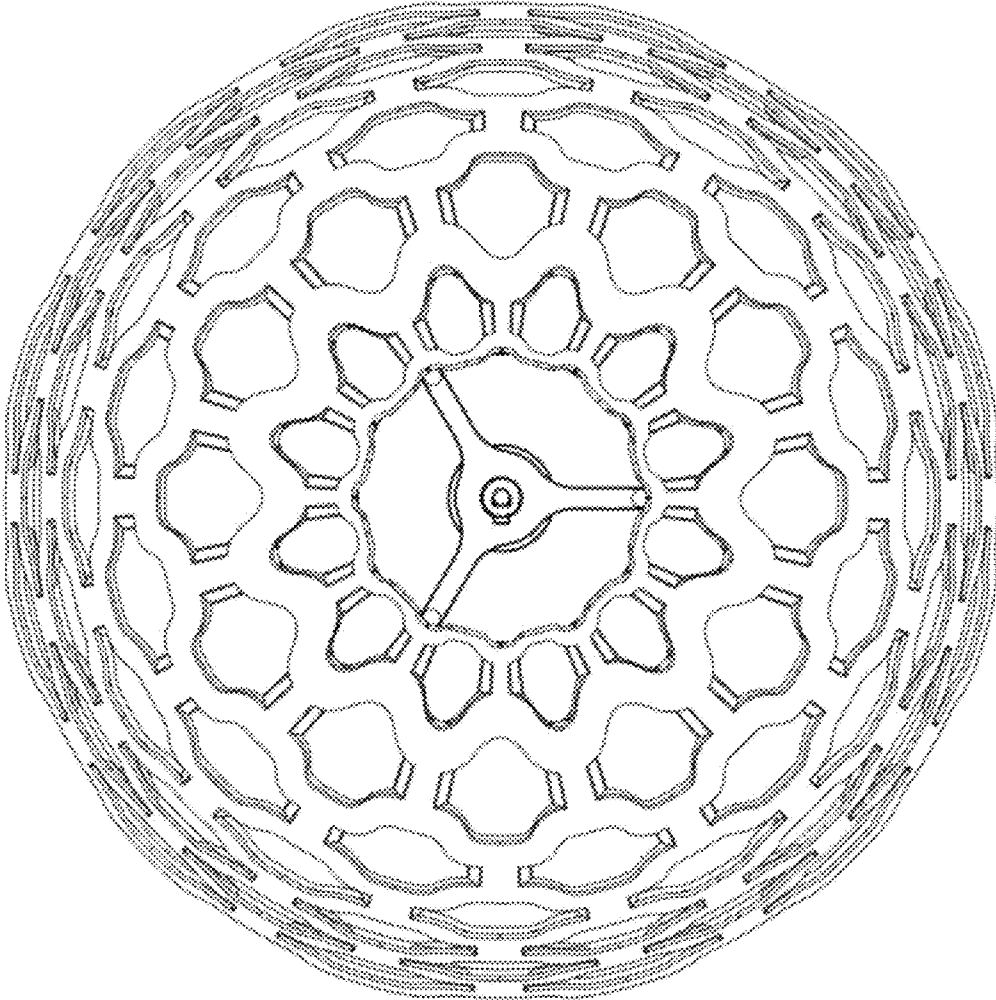


FIG. 3

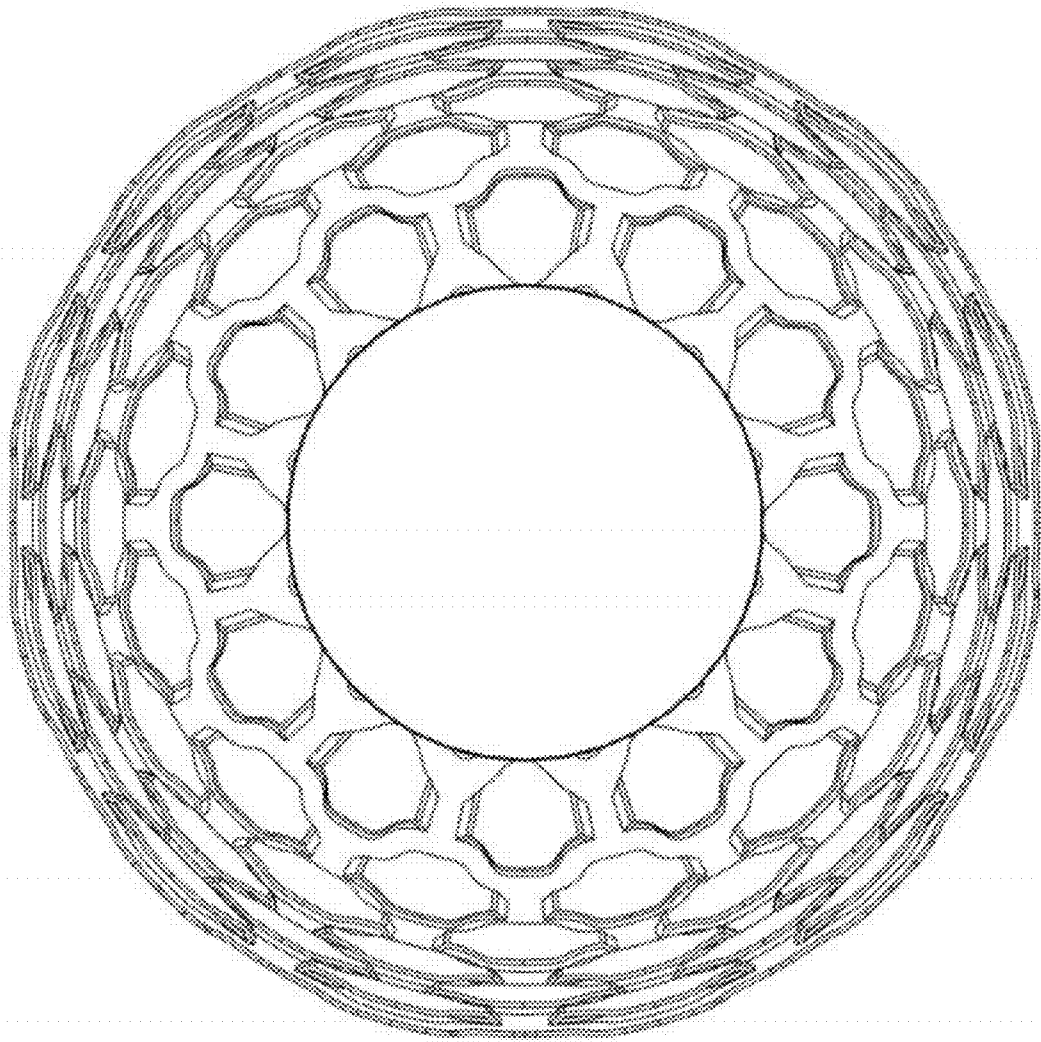


FIG. 4



US00D776319S

(12) **United States Design Patent**  
**Sato**

(10) **Patent No.:** **US D776,319 S**

(45) **Date of Patent:** **\*\* Jan. 10, 2017**

(54) **LAMP**

(71) Applicant: **Louis Poulsen A/S**, Copenhagen K (DK)

(72) Inventor: **Oki Sato**, Tokyo (JP)

(73) Assignee: **Louis Poulsen A/S**, Copenhagen (DK)

(\*\*) Term: **15 Years**

(21) Appl. No.: **29/528,140**

(22) Filed: **May 26, 2015**

(30) **Foreign Application Priority Data**

Nov. 26, 2014 (EM) ..... 002585711

(51) **LOC (10) Cl.** ..... **26-03**

(52) **U.S. Cl.**  
USPC ..... **D26/63**

(58) **Field of Classification Search**

USPC ..... D26/1, 24, 61, 63, 65, 85, 93, 106, 107  
CPC ..... F21V 21/14; F21V 15/01; F21V 14/02;  
F21V 21/30; F21V 21/00; F21V  
14/00; F21S 8/00; F21S 8/003; F21S  
8/043; F21Y 2105/001

See application file for complete search history.

(56) **References Cited**

**U.S. PATENT DOCUMENTS**

D310,886 S \* 9/1990 Gismondi ..... D26/65  
D330,266 S \* 10/1992 Lin ..... D26/65

D588,737 S \* 3/2009 Fu ..... D26/63  
D599,930 S \* 9/2009 Huang ..... D26/63  
D628,729 S \* 12/2010 Citterio ..... D26/65  
D690,858 S \* 10/2013 Citterio ..... D26/63  
D744,683 S \* 12/2015 Fukasawa ..... D26/63

\* cited by examiner

*Primary Examiner* — Brian N Vinson

(74) *Attorney, Agent, or Firm* — Flener IP Law, LLC;  
Zareefa B. Flener

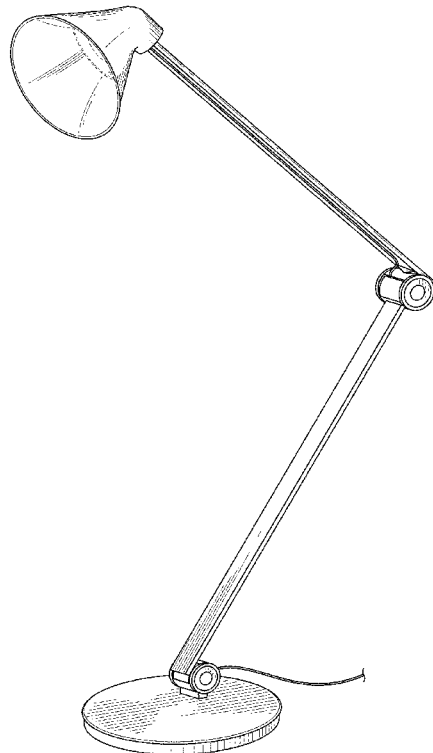
(57) **CLAIM**

An ornamental design for a lamp, as shown and described.

**DESCRIPTION**

FIG. 1 is a front perspective view of a lamp showing our design;  
FIG. 2 is a left side elevational view thereof;  
FIG. 3 is a right side elevational view thereof;  
FIG. 4 is a front elevational view thereof;  
FIG. 5 is a rear elevational view thereof;  
FIG. 6 is a top plan view thereof;  
FIG. 7 is a bottom plan view thereof; and  
FIG. 8 is a rear perspective view thereof.  
The broken lines shown in the drawings represent unclaimed portions of the lamp and form no part of the lamp.

**1 Claim, 6 Drawing Sheets**



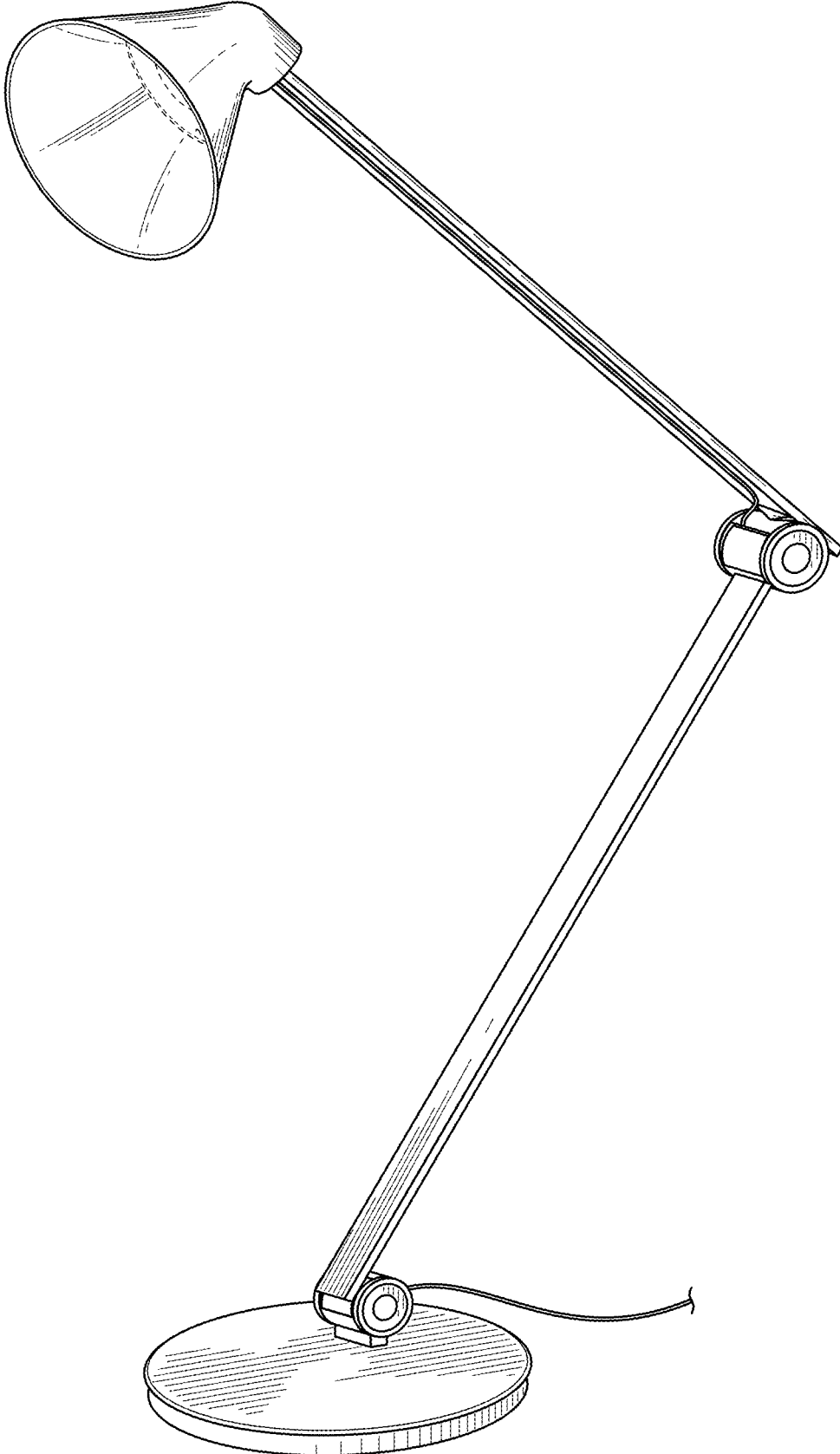


FIG. 1

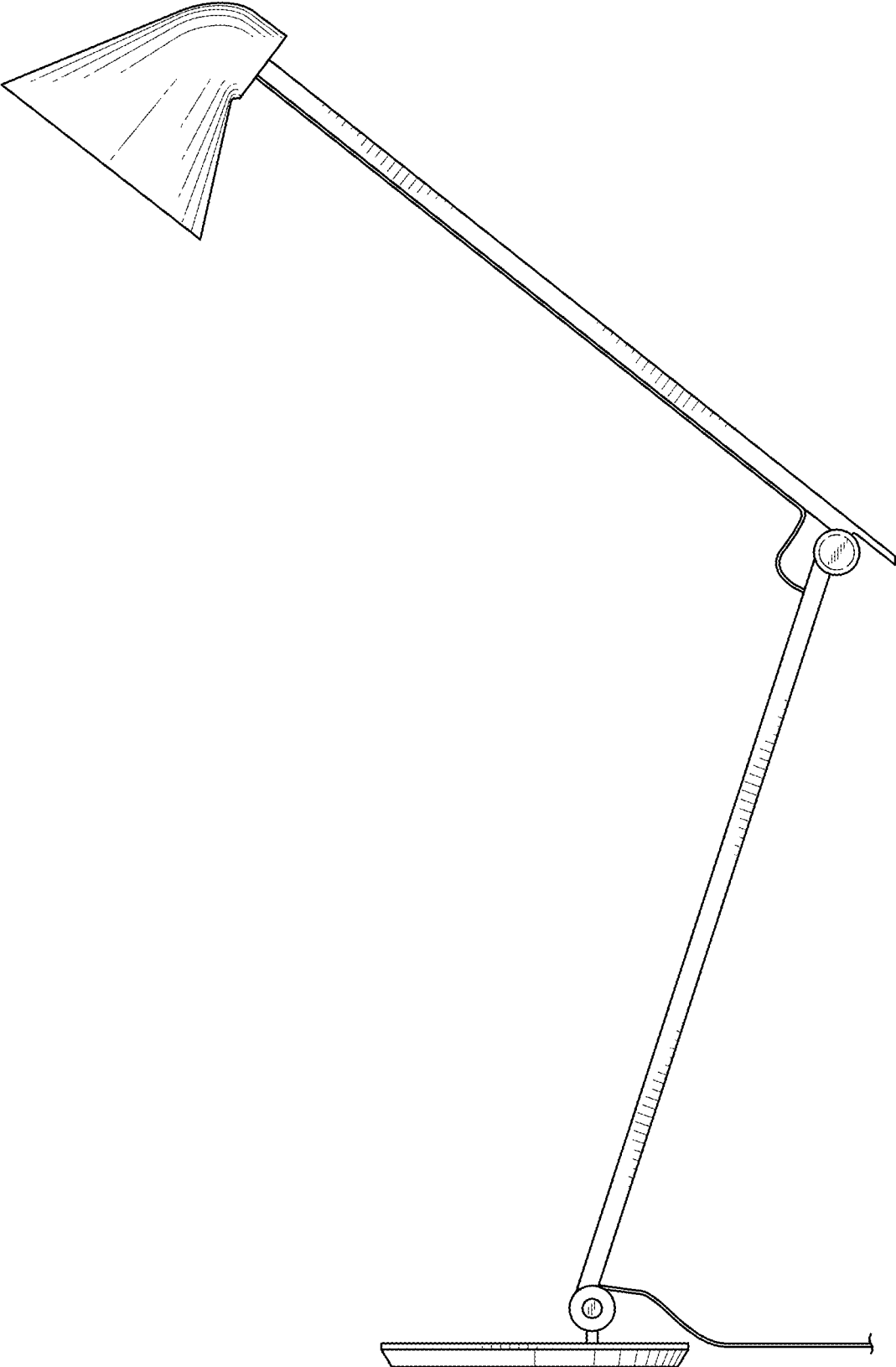


FIG. 2

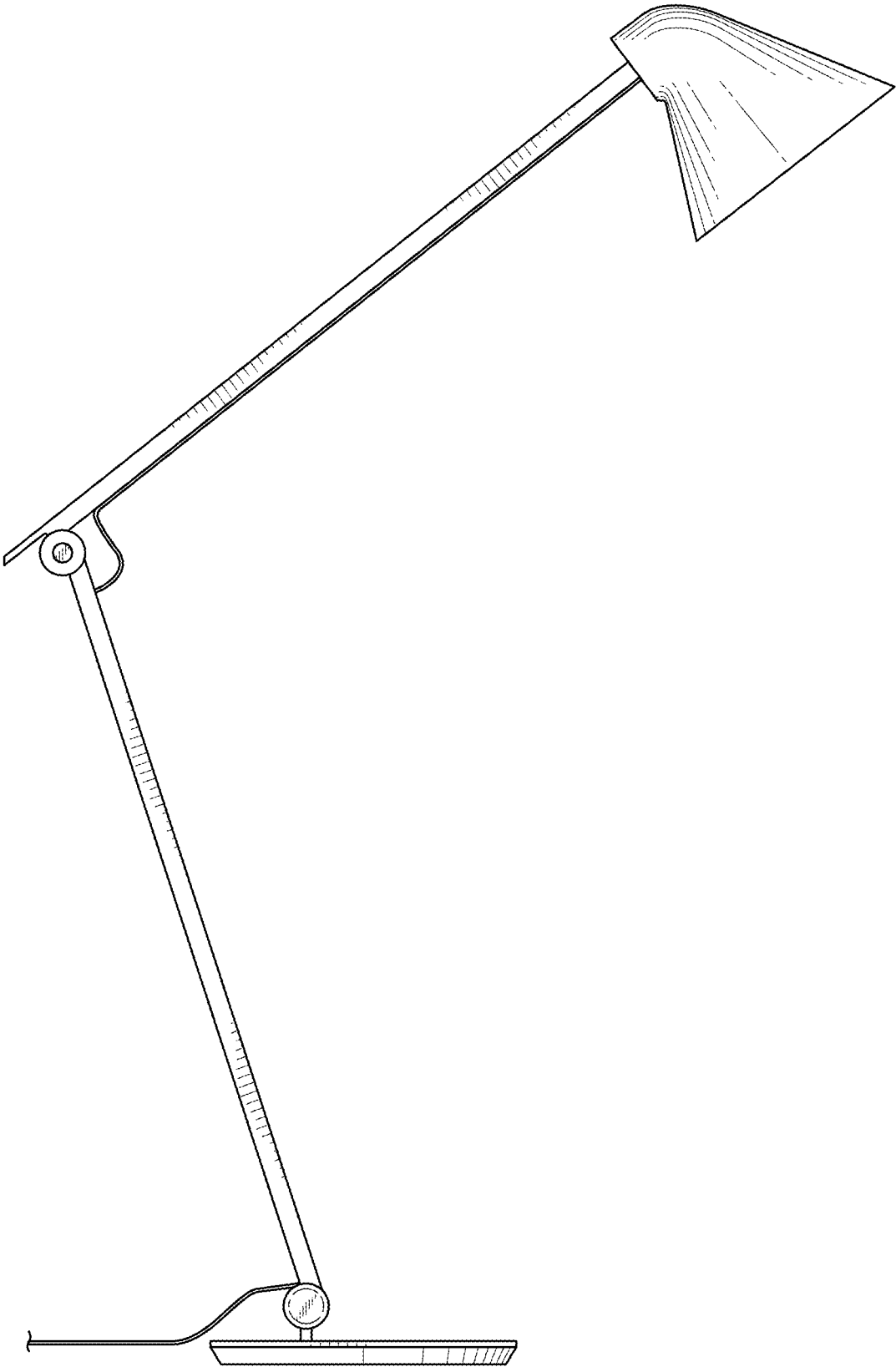


FIG. 3



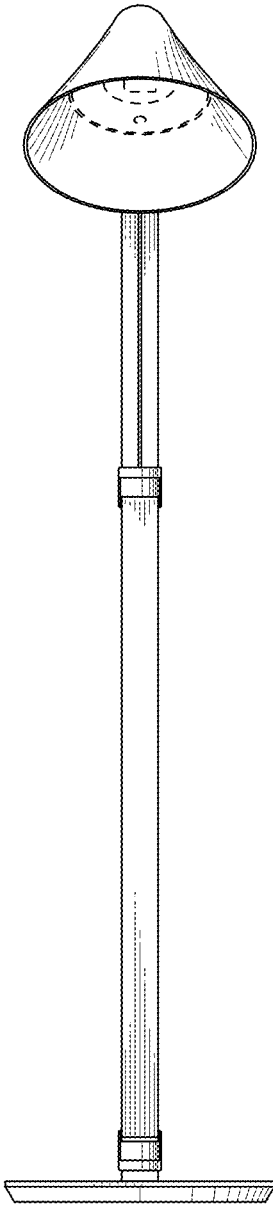


FIG. 4

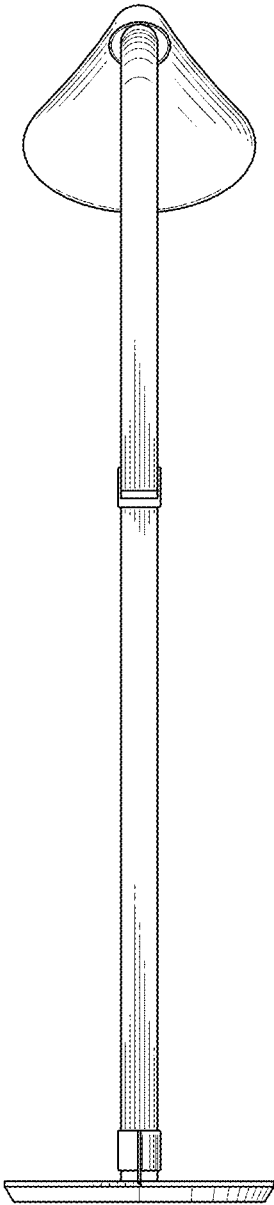


FIG. 5

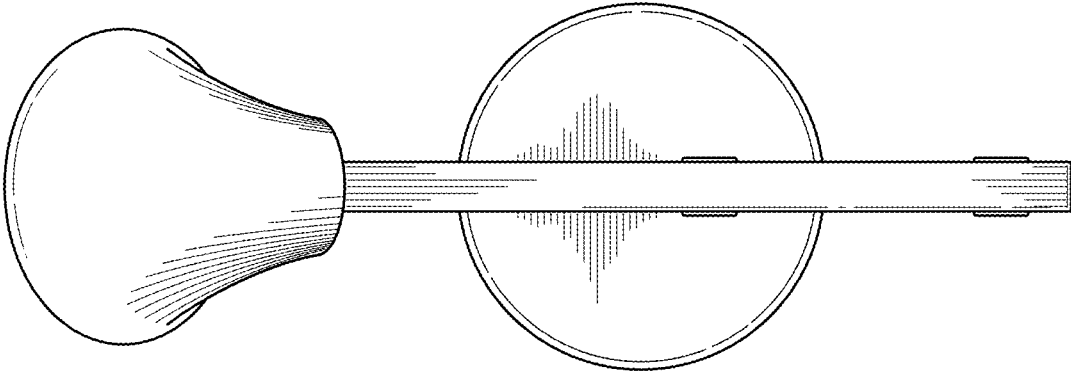


FIG. 6

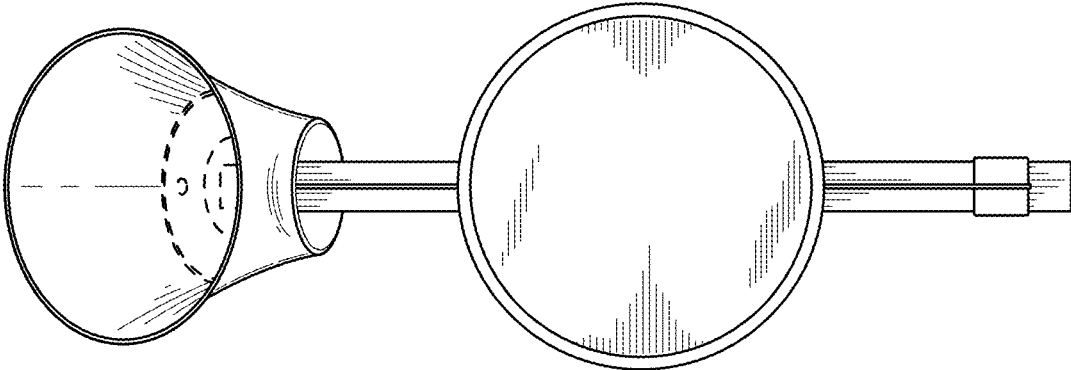


FIG. 7

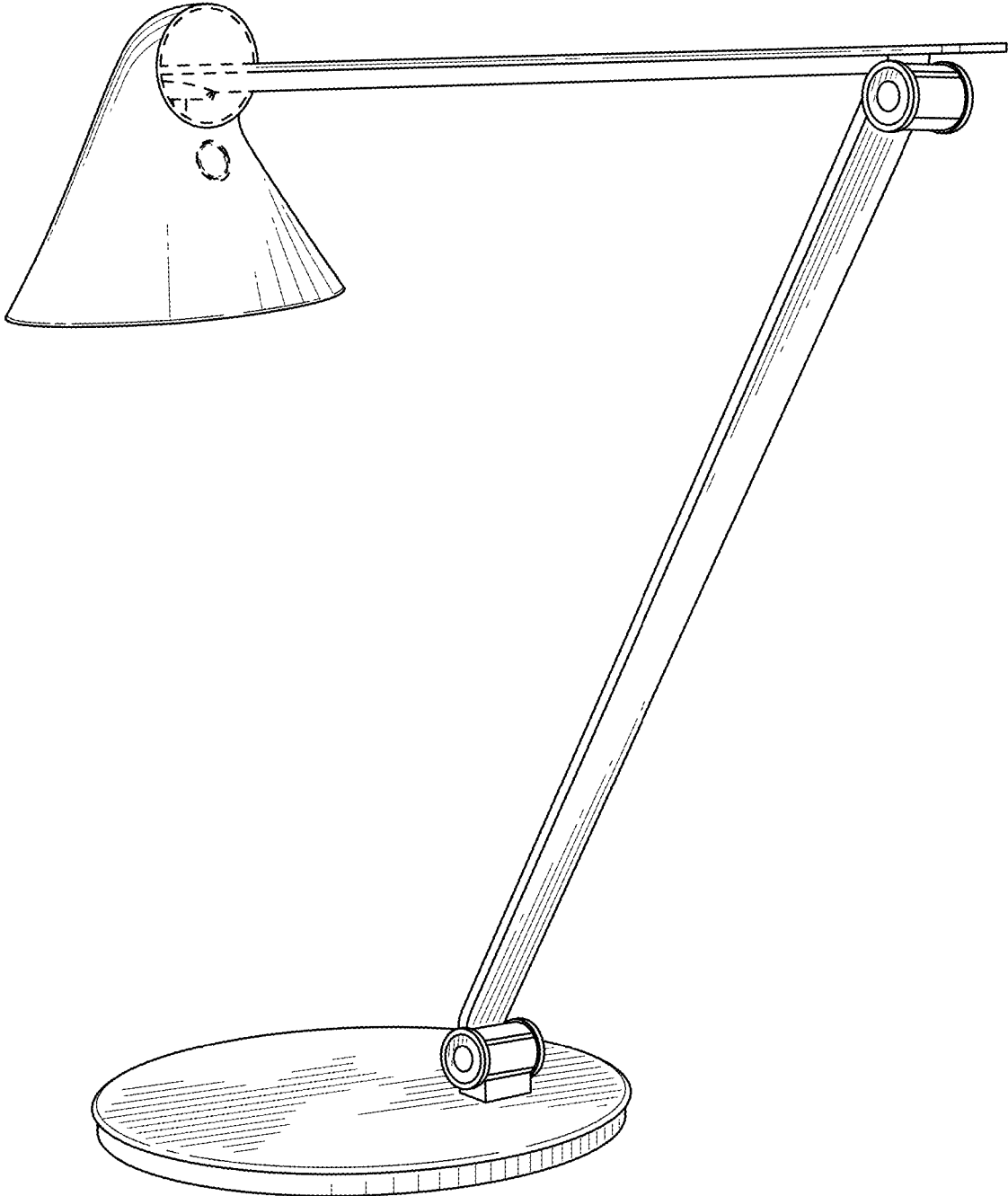


FIG. 8



(12) **United States Design Patent** (10) **Patent No.:** **US D798,495 S**  
**Slaatto** (45) **Date of Patent:** **\*\* Sep. 26, 2017**

(54) **PENDANT LAMP**

(71) Applicant: **LOUIS POULSEN A/S**, Copenhagen K (DK)

(72) Inventor: **Øivind Slaatto**, Copenhagen NV (DK)

(73) Assignee: **LOUIS POULSEN A/S**, Copenhagen (DK)

(\*\*) Term: **15 Years**

(21) Appl. No.: **35/500,444**

(22) Filed: **Oct. 21, 2015**

(80) **Hague Agreement Data**

Int. Filing Date: **Oct. 21, 2015**

Int. Reg. No.: **DM/088687**

Int. Reg. Date: **Oct. 21, 2015**

Int. Reg. Pub. Date: **Jan. 1, 2016**

(51) **LOC (10) Cl.** ..... **26-99**

(52) **U.S. Cl.**  
 USPC ..... **D26/138**

(58) **Field of Classification Search**  
 USPC ..... D26/72, 73, 81, 84, 88, 90, 118,  
 D26/127-137; 362/147, 404-408, 351,  
 362/360, 361  
 CPC .... F21S 8/03; F21S 8/033; F21S 8/036; F21S  
 8/04; F21S 8/043; F21S 8/046; F21S  
 8/06; F21S 8/061; F21S 8/063; F21S  
 8/065; F21V 1/04; F21V 1/06; F21V  
 3/02; F21V 3/023; F21V 5/06

See application file for complete search history.

(56) **References Cited**

U.S. PATENT DOCUMENTS

D268,134 S *	3/1983	Zurcher	.....	D26/131
D537,185 S *	2/2007	Gehry	.....	D26/72
D565,238 S *	3/2008	Lee	.....	D26/128
D575,894 S *	8/2008	Lissoni	.....	D26/128
D636,114 S *	4/2011	De Lucchi	.....	D26/128
D670,854 S *	11/2012	Yang	.....	D26/118
D679,851 S *	4/2013	Smith	.....	D26/118
D693,957 S *	11/2013	Laviani	.....	D26/118
D700,734 S *	3/2014	Chan	.....	D26/88
D708,383 S *	7/2014	Miyake	.....	D26/118
D729,430 S *	5/2015	Poulton	.....	D26/88
D731,104 S *	6/2015	Miyake	.....	D26/88
D741,537 S *	10/2015	Bakker	.....	D26/118

\* cited by examiner

*Primary Examiner* — Zenia Bennett

(74) *Attorney, Agent, or Firm* — Zareefa B. Flener; Flener IP Law

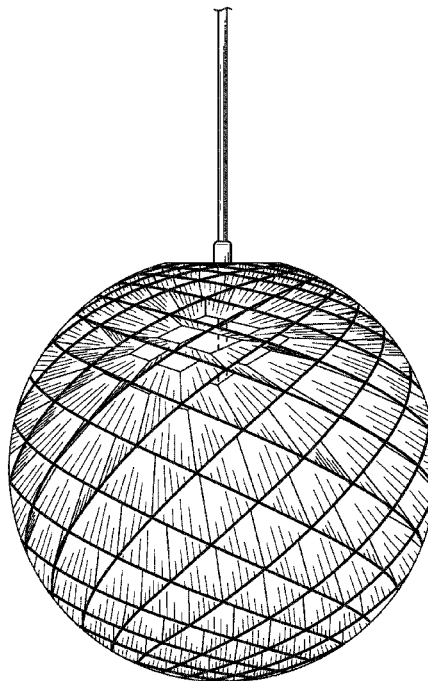
(57) **CLAIM**

The ornamental design for a pendant lamp, as shown and described.

**DESCRIPTION**

1. Pendant lamp
- Fig. 1.1 is a top perspective view;  
 Fig. 1.2 is a side elevation view;  
 Fig. 1.3 is a top plan view;  
 Fig. 1.4 is a bottom plan view.

**1 Claim, 4 Drawing Sheets**



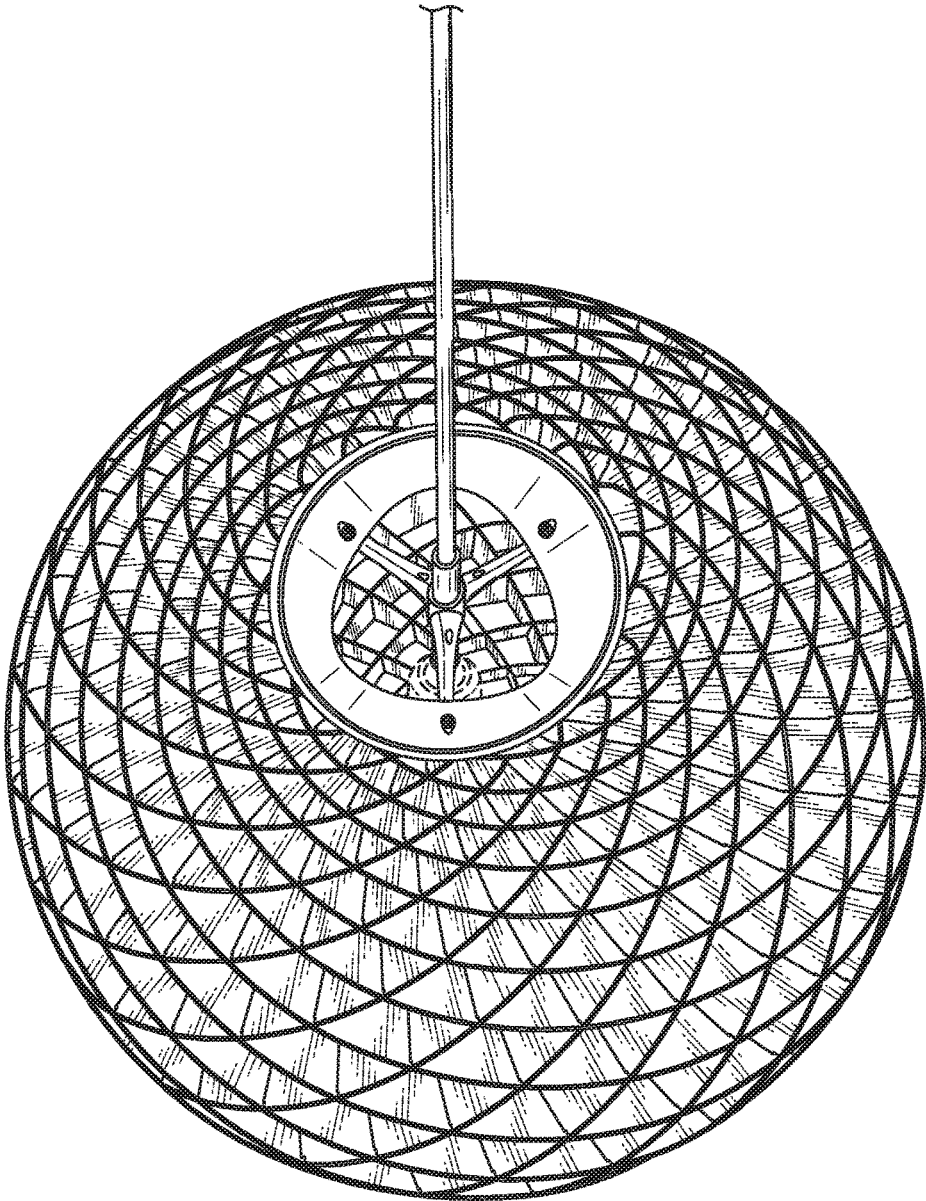


FIG. 1.1

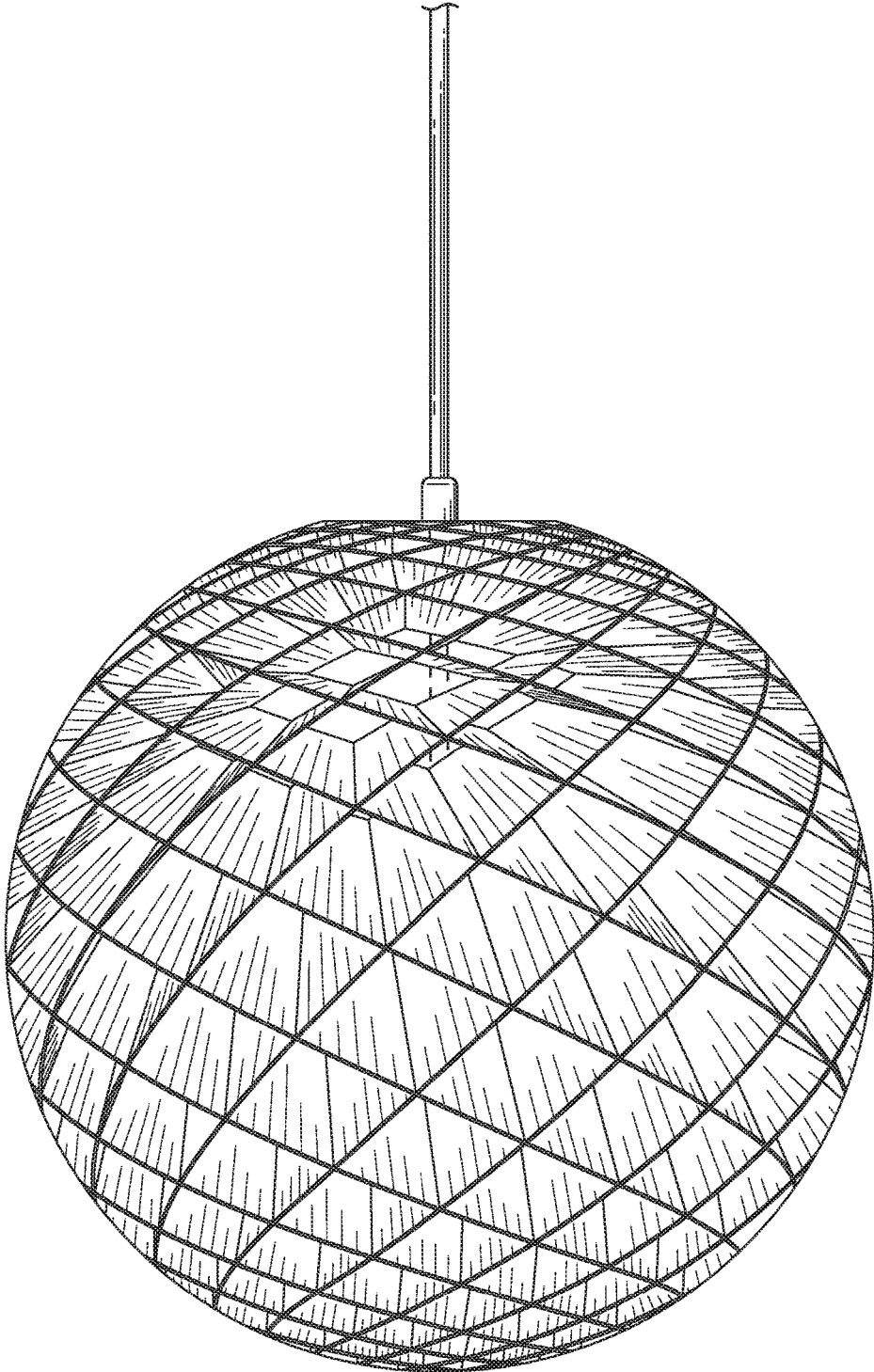


FIG. 1.2

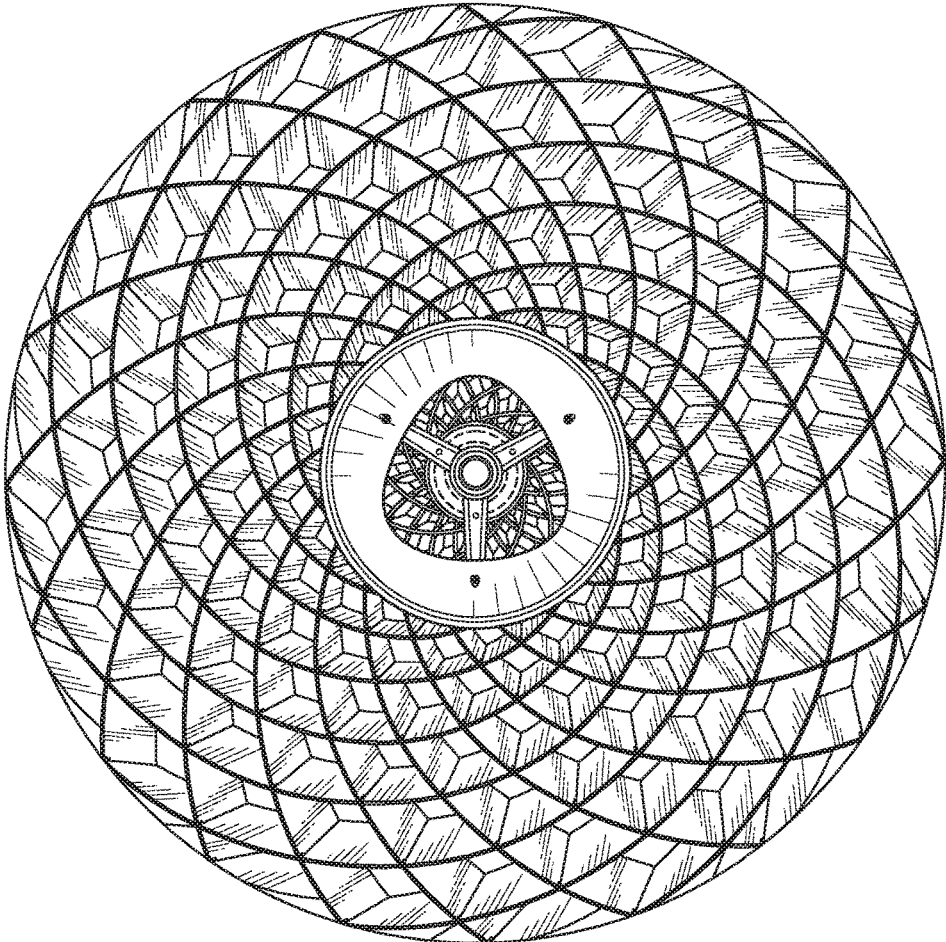


FIG. 1.3

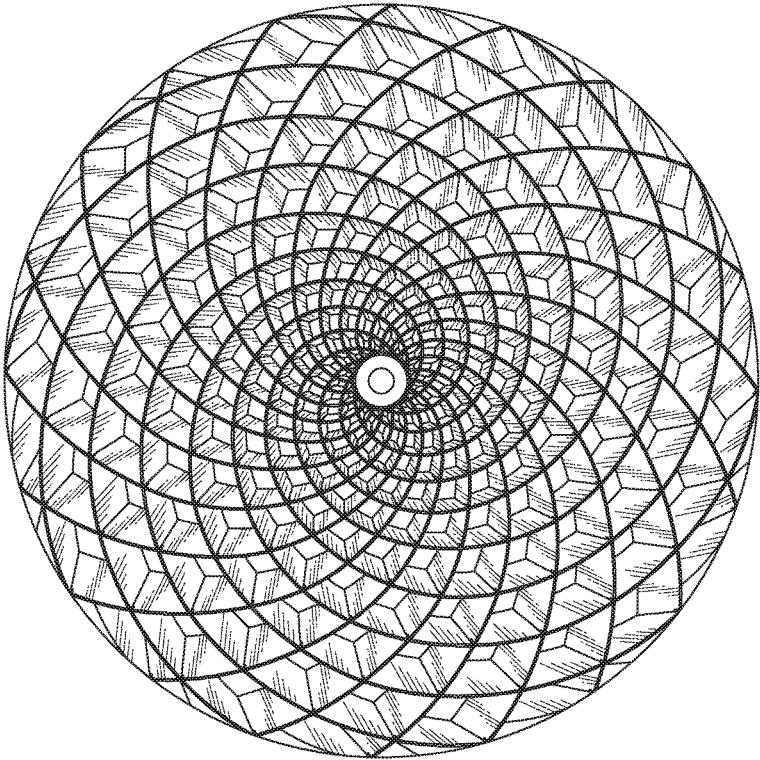


FIG. 1.4





US00D855239S

(12) **United States Design Patent**  
**Von Zweigbergk**

(10) **Patent No.:** **US D855,239 S**

(45) **Date of Patent:** **\*\* Jul. 30, 2019**

(54) **PENDANT LAMP**

(71) Applicant: **LOUIS POULSEN A/S**, Copenhagen K (DK)

(72) Inventor: **Clara Von Zweigbergk**, Stockholm (SE)

(\*\*) Term: **15 Years**

(21) Appl. No.: **35/501,162**

(22) Filed: **Jan. 6, 2016**

(80) **Hague Agreement Data**

Int. Filing Date: **Jan. 6, 2016**  
Int. Reg. No.: **DM/088934**  
Int. Reg. Date: **Jan. 6, 2016**  
Int. Reg. Pub. Date: **Jul. 8, 2016**

(30) **Foreign Application Priority Data**

Jul. 6, 2015 (EM) ..... 002732024-0001

(51) **LOC (11) Cl.** ..... **26-03**

(52) **U.S. Cl.**  
USPC ..... **D26/89**

(58) **Field of Classification Search**  
USPC ..... D26/72, 83, 88, 89, 91, 118  
CPC .... F21S 8/04; F21S 8/033; F21S 8/036; F21S 13/02

See application file for complete search history.

(56) **References Cited**

U.S. PATENT DOCUMENTS

D446,337 S *	8/2001	Benghozi .....	D26/86
D586,031 S *	2/2009	Urquiola .....	D26/105
D660,504 S *	5/2012	Martin .....	D26/136
D683,885 S *	6/2013	Kim .....	D26/84
D695,944 S *	12/2013	Baylar .....	D26/88
D757,328 S *	5/2016	Anderson .....	D26/84
D758,637 S *	6/2016	Herzog .....	D26/136
D759,284 S *	6/2016	De Bevilacqua .....	D26/104
D788,348 S *	5/2017	Hendifar .....	D26/84
D788,969 S *	6/2017	Hendifar .....	D26/84

\* cited by examiner

*Primary Examiner* — Zenia I Bennett

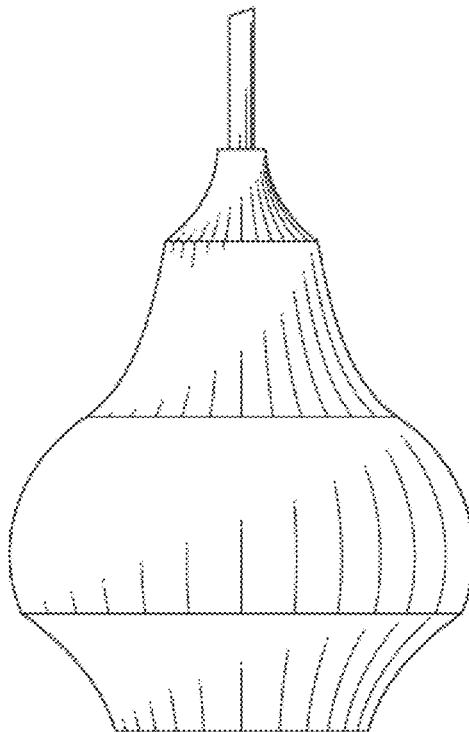
(57) **CLAIM**

The ornamental design for pendant lamp, as shown and described.

**DESCRIPTION**

FIG. 1.1 is a side elevation view of the pendant lamp; FIG. 1.2 is side bottom perspective view of the pendant lamp of FIG. 1.1; and FIG. 1.3 is a bottom plan view of the pendant lamp of FIG. 1.1. The broken lines in the drawing are for illustrative purposes only and form no part of the claimed design.

**1 Claim, 2 Drawing Sheets**



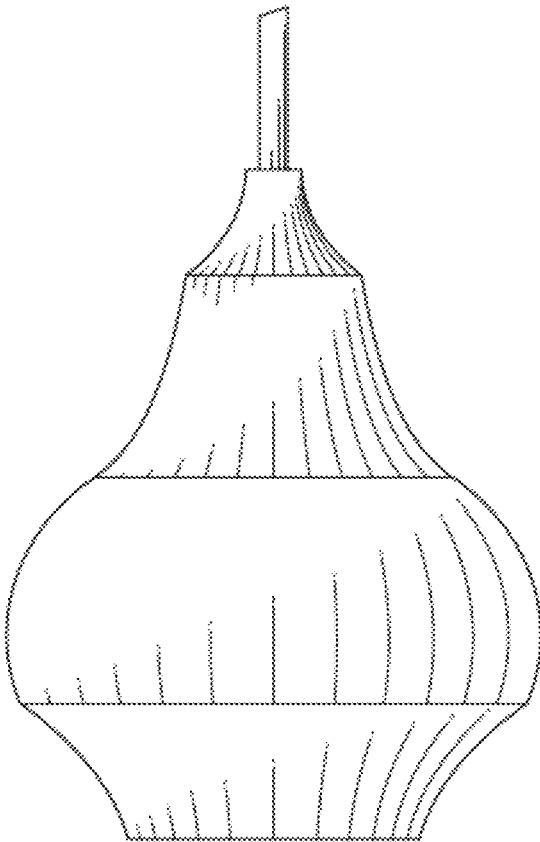


FIG. 1.1

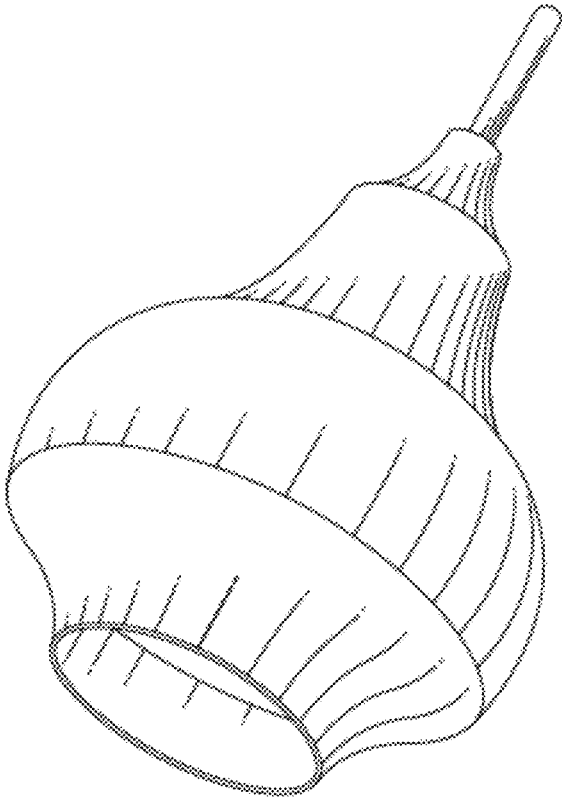


FIG. 1.2

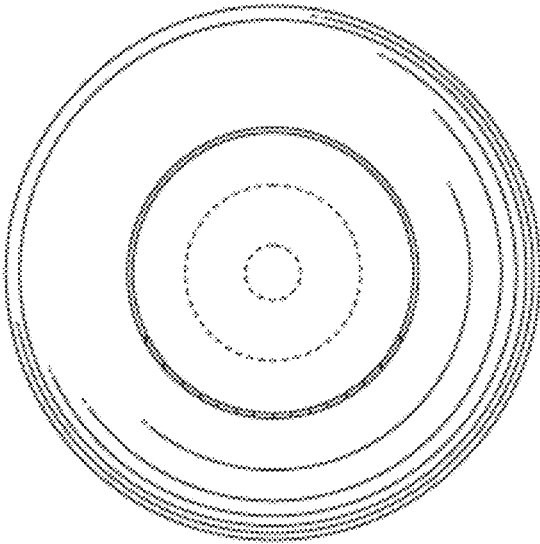


FIG. 1.3